

RF23A9675

SAMSUNG

Bespoke Counter Depth 4-Door Flex™ Refrigerator (23 cu. ft.) in Customizable Panel



Signature Features

Color Customization

Customize the design of your refrigerator with changeable door panels. Choose from a variety of colors and two finishes to create a space that fits your style.

Beverage Center™

Quick access to refreshingly cool, filtered water two ways. Choose from an internal dispenser or a built-in pitcher that automatically refills, with the option to infuse with a flavor.

Dual Ice Maker with Ice Bites™

Enjoy your favorite beverage with your choice of ice. Select from cubed ice or Ice Bites that chill your drink faster. Makes up to 6 lbs per day, stores up to 6.8 lbs total.

Bespoke 4-Door Flex™ Standard Color Models



White Glass

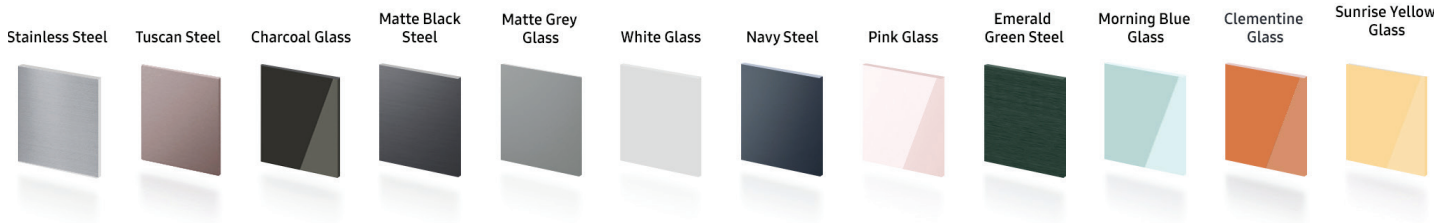


Matte Black Steel



Custom Panel-Ready

Bespoke Panel Color Selection



Design

- Color Customization
- Beverage Center™
- Modern Design
- LED Lighting

Technology

- Dual Ice Maker with Ice Bites™ and Cubed Ice
- UV Deodorizing Filter
- Wi-Fi Enabled

Performance

- FlexZone™
- Flex Crisper™ Drawer
- Triple Cooling

Rating



ENERGY STAR® rated:
634 kWh/yr



ADA Compliant

RF23A9675

SAMSUNG

Bespoke Counter Depth 4-Door Flex™ Refrigerator (23 cu. ft.) in Customizable Panel

Installation Specifications

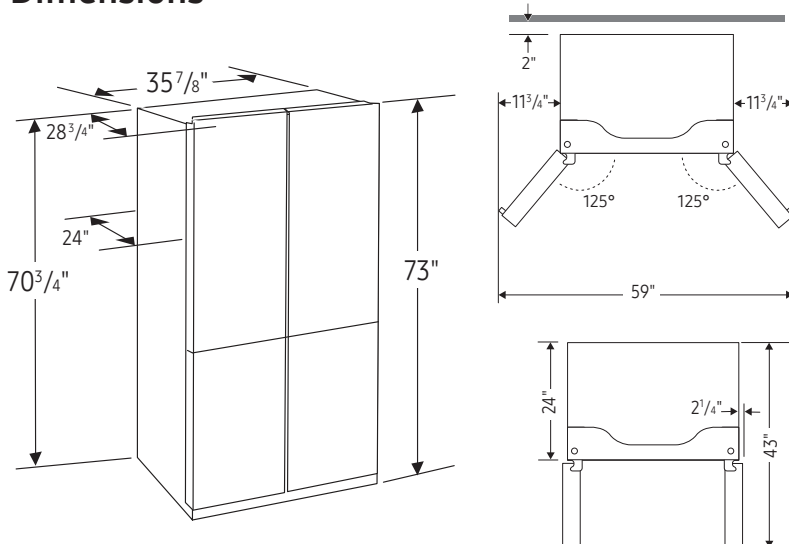
1. Measure the height, width and depth of the opening, making sure to include baseboards, molding tile, countertop overhang, etc. Check to be sure there is enough room to open the door (consider walls, islands or other obstacles when measuring).
2. Refer to illustration below to determine dimensions.
3. Allow 2.5" of clearance on hinge side of refrigerator when installing next to a wall where handle may make contact.
4. Allow 1" minimum clearance at rear for proper air circulation and water/electrical connections. Allow a 3/8" minimum clearance at sides and top for ease of installation.
5. Ensure each door and entryway in the home is wide enough for the refrigerator to be moved through easily.

For optimal usage and ability to open refrigerator doors completely, do not install next to a wall.

Please note: The following dimension and cutout information is for planning purposes only. For complete installation details, consult manual packed with product or download manual online at samsung.com.



Dimensions



Total Capacity: 22.8 cu. ft.

Refrigerator: 14.0 cu. ft.

- 4 Tempered Glass Spill-Proof Shelves
- 2 Clear Drawers: Flex Crisper™ and Crisper+
- 6 Door Bins
 - Right: 1 Gallon Bin, 2 Regular Bins
 - Left: 1 Gallon Bin, 2 Regular Bins
- LED Lighting

Freezer: 8.8 cu. ft.

- Dual Ice Maker in Freezer (Cubed Ice or Ice Bites™)
 - 2 Ice Buckets with Cover and 1 Scoop
- 3 Slide-Out Shelves
- 2 Clear Drawers
- 6 Door Bins
- LED Lighting

Accessories

Water Filter: HAF-QIN

Warranty

One (1) Year Parts and Labor on Refrigerator
Two (2) Years Parts and Labor on Ice Maker
Five (5) Years Parts and Labor on Sealed Refrigeration System Only*
Ten (10) Years Parts and Five (5) Years Labor on Digital Inverter Compressor

*Compressor, evaporator, condenser, drier and connecting tubing.

Product Dimensions

Dimensions (WxHxD with hinges and doors):
35⁷/₈" x 73" x 28³/₄"

Dimensions (WxHxD without hinges and door):
35⁷/₈" x 70³/₄" x 24"

Shipping Dimensions (WxHxD)

Dimensions: 38¹/₄" x 78⁵/₈" x 31¹/₄"

Color	Model #	UPC Code	Product & Shipping Weight (lbs)	
Matte Black Steel	RF23A9675MT	887276595320	339.5	361.6
White Glass	RF23A967512	887276651378	346.1	368.2
Custom Panel-Ready	RF23A9675AP	887276525655	317.5	339.5