

# LandingZone

for 13-inch MacBook Pro  
with Touch Bar



For additional languages, please visit [LandingZone.net/user-guides](https://LandingZone.net/user-guides)



## **Dear MacBook Pro Owner,**

Thank you for your purchase of the LandingZone Docking Station for MacBook Pro with Touch Bar. We hope the LandingZone will be an excellent addition to your workspace. This manual will help guide you through setup and answer any questions you may have.

If you have any questions or need support, please contact us at [support@landingzone.net](mailto:support@landingzone.net) or by calling 888-872-3251 during normal business hours.

Sincerely,  
LandingZone Team  
infiniWing, Inc.

---

## **MODEL NUMBER**

LZ5013T - LandingZone Docking Station for 13-inch MacBook Pro with Touch Bar

LZ5015T - LandingZone Docking Station for 15-inch MacBook Pro with Touch Bar

## **COMPATIBILITY**

The LZ5013T works with the 13-inch MacBook Pro with Touch Bar

The LZ5015T works with the 15-inch MacBook Pro with Touch Bar

## **WHAT'S IN THE BOX?**

- LandingZone Docking Station for MacBook Pro with Touch Bar
- 96W Power Adapter
- Quick Start Guide
- Warranty & Registration Card

## BENEFITS

The LandingZone for MacBook Pro with Touch Bar is our most advanced docking station to date. With an astounding 16 ports and connections, it is designed to transform the MacBook Pro with Touch Bar into a powerful and versatile workstation.

## FEATURES

- 3 x USB Type-C Ports (Data Only)
  - 2 x USB Type-A Ports (Data Only)
  - 1 x USB 3.1 Type A Port  
(Data & 1.5A High-Powered Charging)
  - USB Type-C Passthrough Port
  - HDMI Port 1 (3840 x 2160 @ 30Hz)
  - Choose one: Mini Displayport or  
HDMI Port 2 (3840 x 2160 @ 30Hz)
  - Gigabit Ethernet Port
  - SD Card Slot & Micro SD Card Slot
  - Two-Way Audio Jack
  - Kensington Security Slot  
(Lock Sold Separately)
  - 3-Color LED Status Indicator Light
  - 96W LandingZone Power Adapter
-

# DOCKING

## DOCKING

### Step 1: Connecting Power and Peripherals

- Connect the 96W LandingZone Power Adapter to the Power Port on the LandingZone.
- Connect Ethernet & peripherals such as monitors, keyboards, mice, storage devices, speakers, etc.

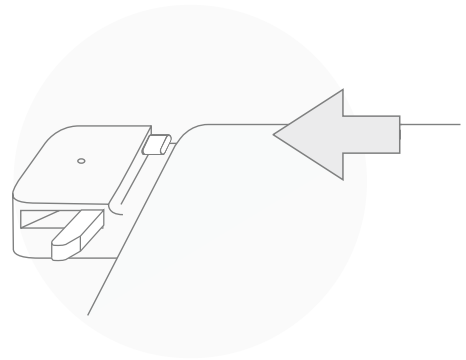
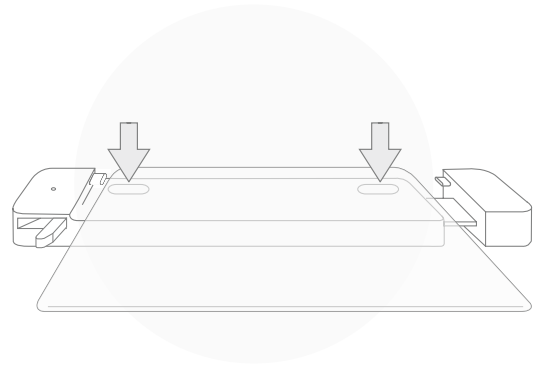


# DOCKING

## DOCKING

### Step 2: Docking Your MacBook Pro

- Place your MacBook Pro on the LandingZone.
- Slide the MacBook to the left, connecting the Type-C ports on the MacBook Pro with the Type-C connectors on the LandingZone.

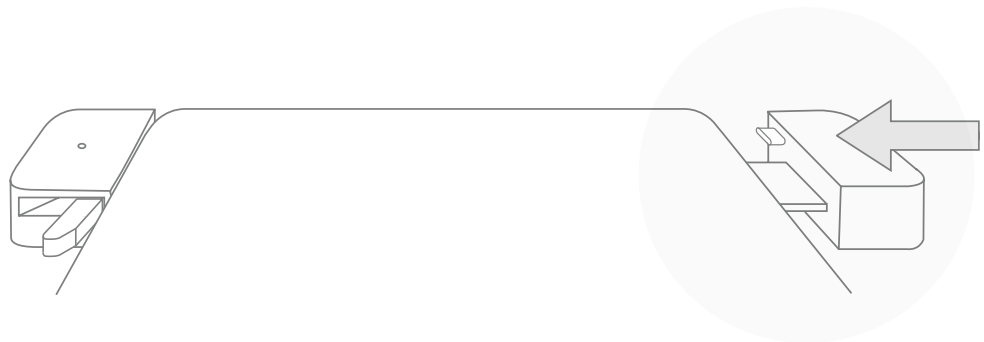


# DOCKING

## DOCKING

### Step 3: Connecting Your MacBook

- Push the right wing of the LandingZone into the ports on the MacBook Pro.
- *Optional: Connect a Kensington Lock (not included) to the Kensington Lock Slot.*

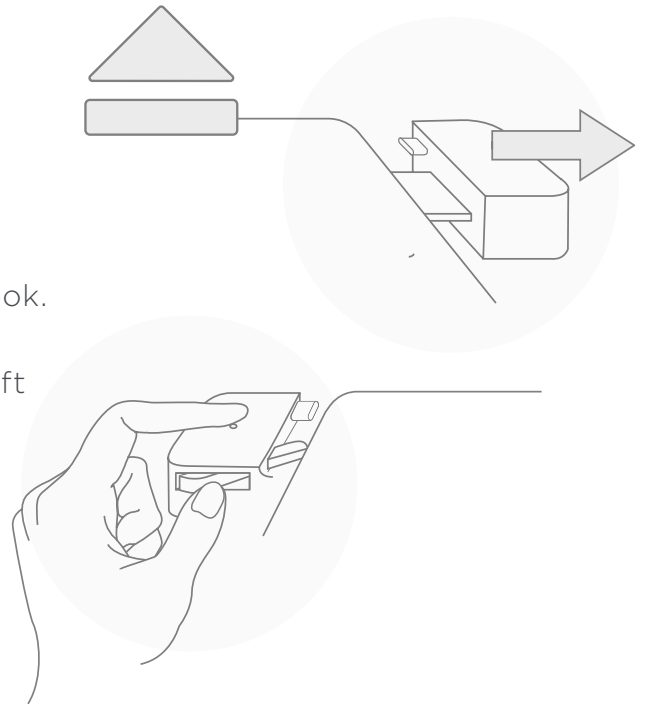




# UNDOCKING

## UNDOCKING

- Safely eject all devices in the operating system of the MacBook Pro
- Slide the right wing of the LandingZone out of the MacBook.
- Push the release lever on the left wing of the LandingZone.



# UNDOCKING

## UNDOCKING

- Remove the MacBook from the LandingZone.



# CUSTOMER SUPPORT

## **CUSTOMER SUPPORT**

### **Online Support**

Go to [www.landingzone.net/FAQs](http://www.landingzone.net/FAQs)

### **Phone Support**

Call 1-888-872-3251 during normal business hours

### **E-mail Support**

Send email to [support@landingzone.net](mailto:support@landingzone.net)

# DEVICE CARE

## PROPER OPERATING ENVIRONMENT

**Operating temperature:** 50° to 95° F (10° to 35° C)

**Storage temperature:** -13° to 113° F (-24° to 45° C)

**Relative humidity:** 0% to 90% non-condensing

**Maximum operating altitude:** 10,000 feet

**Maximum storage altitude:** 15,000 feet

**Maximum shipping altitude:** 35,000 feet

## TROUBLESHOOTING / FAQs

### **USB Devices Are Not Working / MacBook is Not Charging:**

Make sure that both sides of the LandingZone are completely closed and flush against the MacBook Pro. Confirm that the LandingZone Power Adapter is properly plugged into your wall outlet and connected to the LandingZone.

### **How do you Reset the LandingZone?**

You can reset or power-cycle the LandingZone by undocking the MacBook Pro, disconnecting all connected devices and the LandingZone Power Adapter, and allowing the LandingZone to rest for a minute or two. After resting the LandingZone, reconnect the LandingZone Power Adapter, reconnect the devices, and dock the MacBook Pro to the LandingZone.

# DEVICE CARE

## **CARE & CLEANING**

Clean with a soft cloth. Do not use water or cleaning solutions to clean the LandingZone.

## **DISPOSAL**

Applicable laws may limit how you can dispose of this product. Accordingly, please make sure you follow your local, state, federal, and country ordinances, laws, regulations, and other guidelines to properly dispose of this product and the accompanying packaging materials.

# WARNINGS

## WARNINGS

- The LandingZone is not designed to charge multiple high-powered devices, such as smartphones or tablets, at the same time.
- Do not dock to the LandingZone if a smartphone or tablet is already connected to the High-Powered Charging Port. Please disconnect any smartphone or tablet before docking and reconnect it after the MacBook has been docked.
- The Mini DisplayPort on the LandingZone uses Type-C Alt Mode and some older Mini DisplayPort Adapters may not be compatible with this new standard.
- The LandingZone is designed to work with the 20.5V power adapter included with the LandingZone. Using a higher voltage power adapter may damage the LandingZone and MacBook.

## **COPYRIGHT & TRADEMARK INFORMATION**

© 2017 inifiniWing, Inc. LandingZone is a trademark of InifiniWing, Inc. Apple, the Apple logo, MacBook, macOS are trademarks of Apple, Inc., registered in the US and other countries. Kensington is a registered trademark of Kensington Computer Group, a division of ACCO Brands. HDMI and High-Definition Multimedia Interface are trademarks or registered trademarks of HDMI Licensing LLC. All other company and product names mentioned may be trademarks of their respective companies. Mention of third-party products is for informational purposes only and does not constitute an endorsement or recommendation. inifiniWing, Inc. assumes no responsibility with regard to the performance of products mentioned.

Designed in San Jose, CA & manufactured in China. Protected by **US Patent #9,651,994** and foreign patents.



