

**CLBM-23F**  
**Reach-In Freezer**  
**Self-Contained Solid Door**



This unit is listed to the applicable UL, CSA and NSF Standards by an approved NRTL. Consult the factory or unit's data plate for approval information.

**STANDARD PRODUCT FEATURES**

- Stainless Steel Door(s) & Louver
- Anodized Aluminum Sides & Interior
- Positive Seal Self-Closing Door with Stay Open Feature at 110°
- LED Display Control for Accuracy and Easy Monitoring
- Thermal Expansion Valve (TXV) Metering Device
- Three (3) Adjustable, Heavy Duty Epoxy Coated Shelves Per Section
- Field Reversible Door(s)
- Set of Four (4) 4" High Casters with Locks Standard on Front Casters
- Gasket-Protecting Retainer
- Bottom-Mounted Refrigeration System
- High-Density, Non-CFC Foamed in Place Polyurethane Insulation
- Easily Accessible Condenser Coil for Cleaning
- Ergonomically Friendly Lower Shelf
- Storage on Top of Cabinet
- 3 Year Parts & Labor Warranty, Additional 2 Years on Compressor Parts

**Bottom Mounted Reach-In Freezer**

**ACCESSORIES & OPTIONS (Available at Extra Cost)**

- + Additional Epoxy Coated Shelves on Pilasters
- + Additional Epoxy Coated Shelves on Pins
- + Set of Four (4) 6" High Legs
- + Set of Four (4) 6" High Casters
- + #1 or Universal Type Trayslides

**AVAILABLE CONFIGURATIONS**

**MODELS**

- CLBM-23F-FS-R
- CLBM-23F-FS-L
- CLBM-23F-HS-R
- CLBM-23F-HS-L

**HINGING**

- Full Solid Door, Right
- Full Solid Door, Left
- Half Solid Doors, Right
- Half Solid Doors, Left

Model	Doors	Shelves	Dimensions L x D x H (in.)	Voltage	Amps	NEMA	Ship Wt. (lbs.)	Cu. Ft.
CLBM-23F	1	3	27 x 33.5 x 78*	115/60/1	6.5	5 - 15P	350	19.89

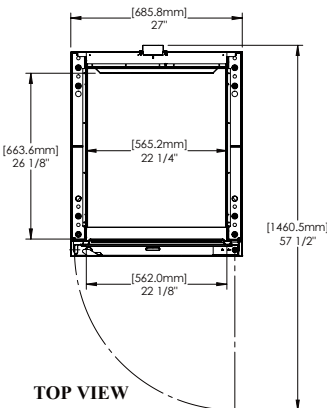
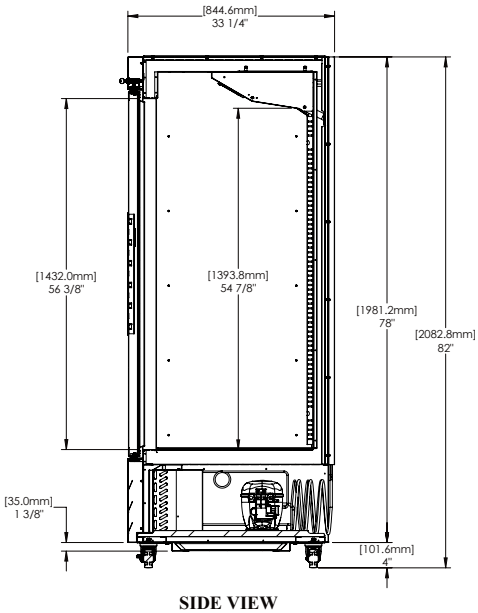
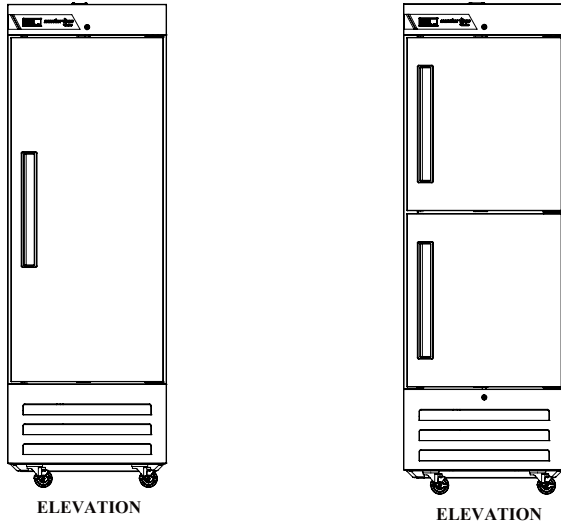
\*Note: 78 in. height without casters

As continued product improvement is a policy of Traulsen, specifications are subject to change without notice.

Approved by \_\_\_\_\_ Date \_\_\_\_\_ Approved by \_\_\_\_\_ Date \_\_\_\_\_

**MODEL - CLBM-23F**

Full Height & Half Height Solid Door Models



**SPECIFICATIONS**

**CONSTRUCTION, HARDWARE, INSULATION**

Cabinet louver assembly and door(s) are constructed of stainless steel. Cabinet sides (including returns), front, interior and door liners are constructed of anodized aluminum. The exterior cabinet top, back and bottom are constructed of galvanized steel. A set of four (4) 4" high casters are included. Doors are equipped with a gasket protecting retainer and removable plug cylinder locks. Both the cabinet and door(s) are insulated with an average of 2-3/8" thick high density, non-CFC, foamed in place polyurethane insulation.

**REFRIGERATION SYSTEM**

A bottom mounted, self-contained, balanced refrigeration system using environmentally friendly, non-flammable R-448A refrigerant is conveniently located behind the one piece louver assembly. It features an easy to clean front facing condenser, thermal expansion valve (TXV) metering device and air-cooled hermetic compressor. A 9' cord and plug is provided. Standard operating temperature is -1°F to 2°F.

**CONTROLLER**

The easy to use electronic digital control is supplied standard. It includes a 3-Digit LED display, and a Fahrenheit or Celsius temperature scale display capability.

**INTERIOR**

Standard interior arrangements include three (3) epoxy coated wire shelves per section, mounted on pins. Recommended load limit per shelf should not exceed 150 lbs.

**WARRANTY**

Both a 3 Year Parts & Labor Warranty and additional 2 Years on Compressor Parts Warranty are supplied standard.

MODELS	CLBM-23F
<b>ELECTRICAL DATA</b>	
Voltage	115/60/1
Full Load Amperes	6.5
<b>REFRIGERATION DATA</b>	
Refrigerant	R-448A
Refrigerant Charge oz.	15 (425 gr)
BTU/HR <sup>1</sup>   H.P.	1160   1/4
<b>SHIPPING DATA</b>	
Depth Crated in.	40 (101.6 cm)
Height Crated in.	85 (215.9 cm)
Length Crated in.	37 (94 cm)
Volume Crated cu. ft.	73 (2067.1 l)
Net Weight lbs.	305 (138.4 kg)
Gross Weight lbs.	350 (158.8 kg)

NOTES:

1. BTU/HR based on a 90°F ambient and -20°F evaporator

Equipped with one NEMA 5-15P Plug



**CAD and/or Revit Files Available**