

### **User Manual of Product 1:**

Cooler Master MasterBox TD500 Mesh Airflow ATX Mid-Tower with Polygonal Mesh Front Panel, Crystalline Tempered Glass, E-ATX up to 10.5", Three 120mm ARGB Lighting Fans

### **User Manual of Product 2:**

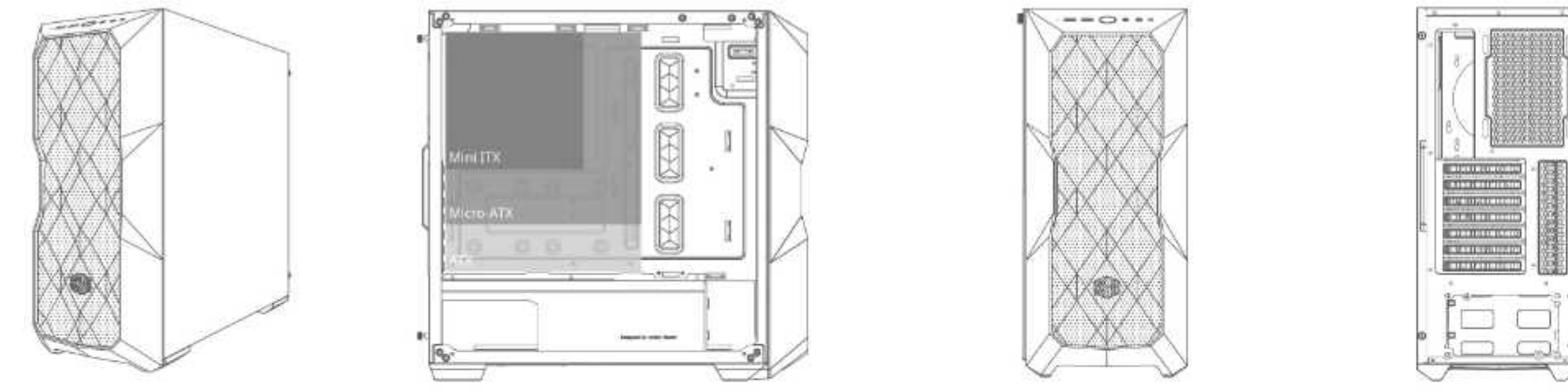
Cooler Master Hyper 212 Black RGB CPU Air Cooler, SF120R RGB PWM Fan, Anodized Gun-Metal Brushed Nickel Fins, 4 Copper Heat Pipes for AMD Ryzen AM4, Intel LGA1700/1200/1151 (RR-212S-20PC-R2)



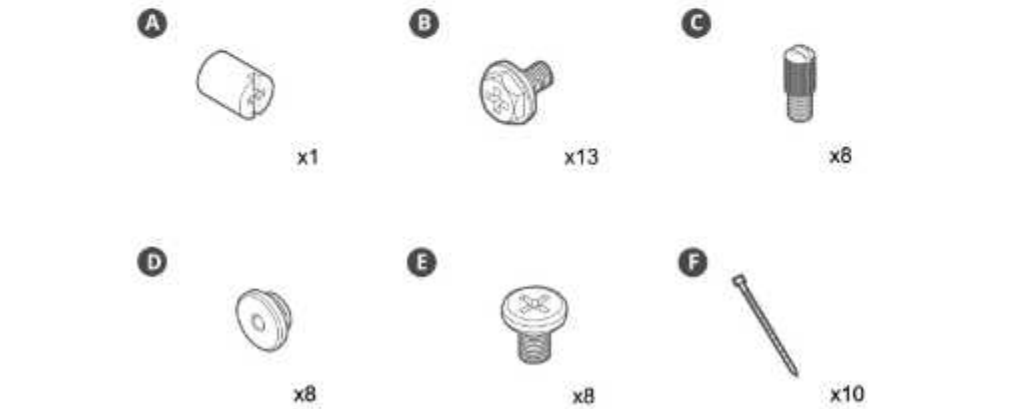
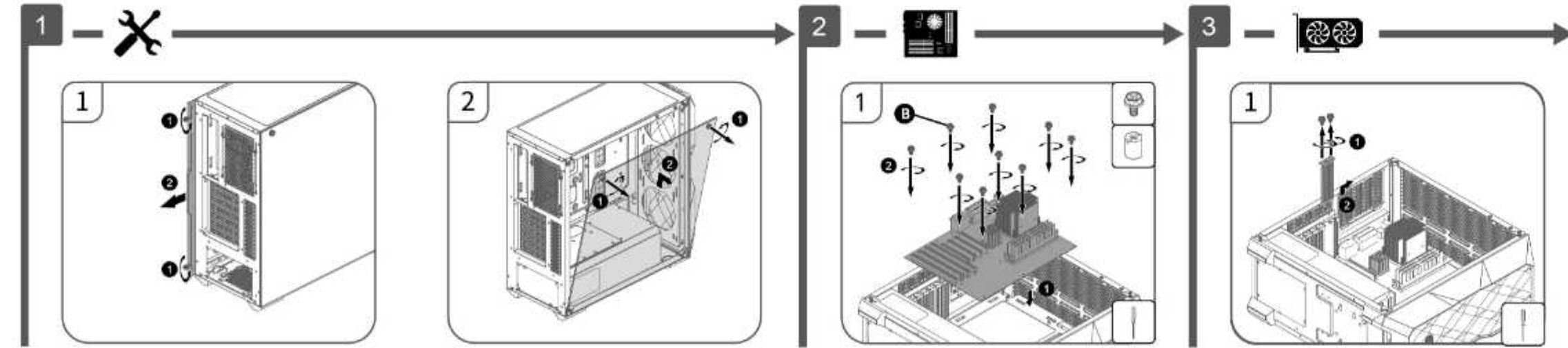
Make It Yours.

# MASTERBOX TD500 MESH

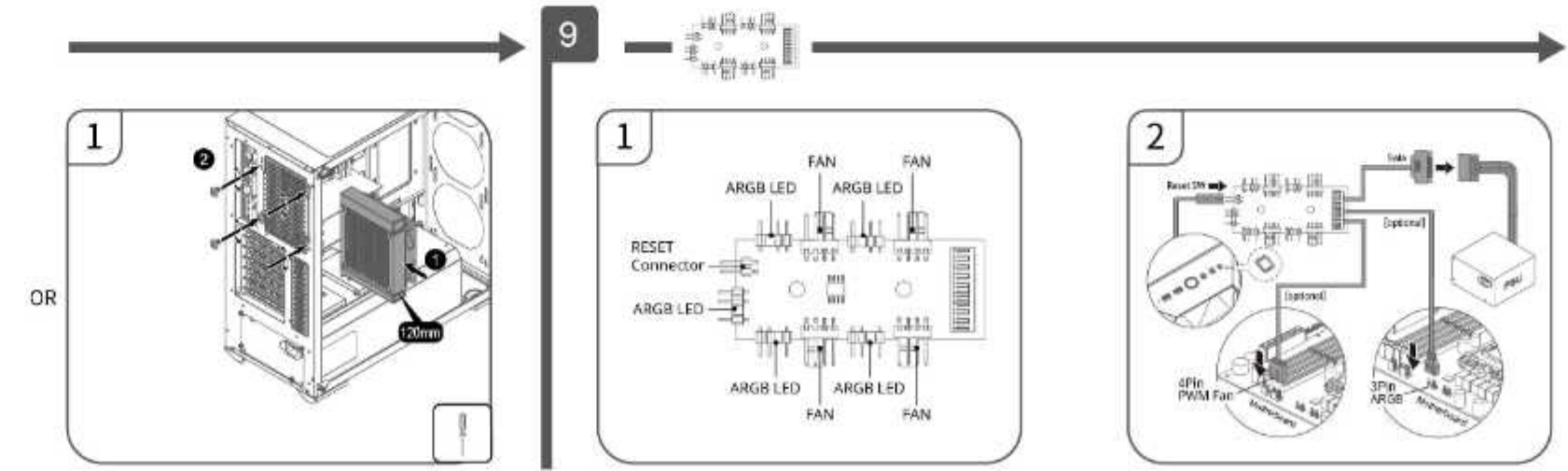
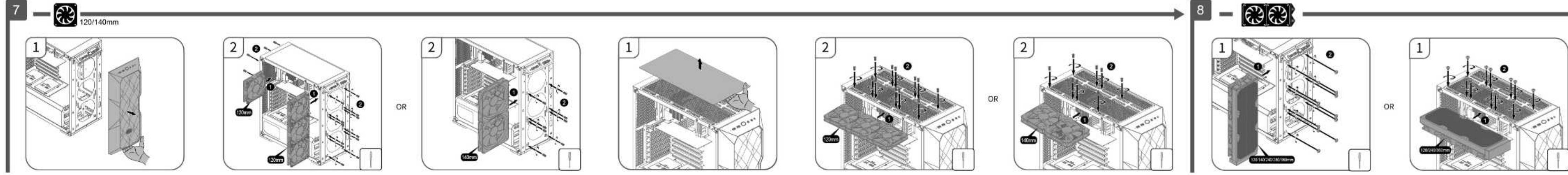
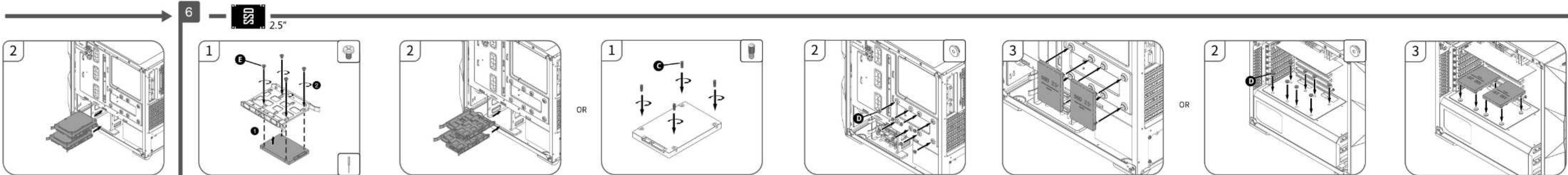
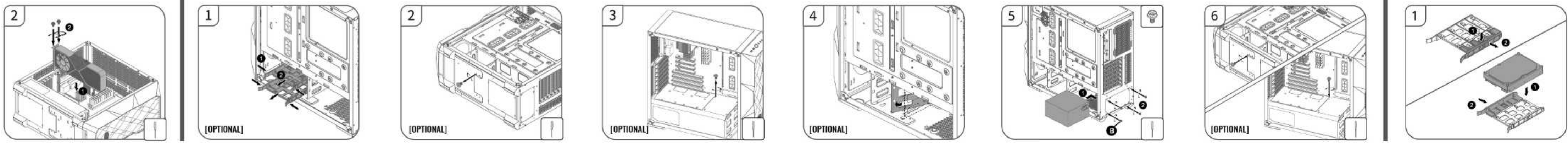
EN	Package Content	HU	A csomag tartalma
AR	حزمة المحتوى	ID	Isi Paket
BG	Съдържание на пакета	IT	Contenuto della scatola
CHS	零件包	JP	パッケージ内容物
CHT	零件包	KR	구성품
CS	Obsah balení	NL	Verpakingsinhoud



DE	Verpackungsinhalt	PL	Zawartość opakowania
EL	Περιεχόμενα Συσκευασίας	PT	Conteúdo da embalagem
ES	Contenido Paquete	RU	Комплектация
FR	Contenu de l'emballage	SR	Sadržaj pakovanja
FA	محتویات	TR	Paket içeriği



S12004670-GP V1.0 2021-06



### Warranty information

English (EN)

Cooler Master guarantees that this device is free of defect in material and workmanship, and provides a two-year limited hardware warranty for the device commencing from the date of purchase. Please keep your receipt for proof of purchase.

This product is designed for computer usage only. Using this device in any other capacity voids the warranty. If you are not familiar with computer hardware installation, please ask for professional assistance.

The warranty offered covers normal use. Defect or damage that result from improper operation, storage, misuse or abuse, accident or neglect, which are not the fault of Cooler Master, are excluded from warranty coverage.

Note: the warranty is voided by removal or alteration of product or parts identification labels.

\*All OEM / ODM packaging products come with one-year limited warranty.

\*In case of conflict between the warranty provided by the country of point of sale and this manual, the warranty of the actual country of point of sale shall be the prevailing document.

\*In the case of malfunction of electronic components or need of accessories purchase during the warranty period, please return to the original store of purchase.

簡體中文 (ZHS)

Cooler Master 保证本设备之材质及工艺无瑕疵，并提供自本设备之日起两年之有限硬件质保服务。自购买日起算，请保留您的收单作为凭证。本设备仅设计用于电脑使用。任何其他用途均会使保修失效。若您不熟悉电脑硬件安装，请咨询专业人士协助。保修服务仅适用于正常使用下之故障情形。基本本公司不承担因误操作、使用不当、意外、疏忽、电压供应错误、空气及水污染等非原厂因素造成之损坏。因非原厂因素造成之损坏，恕不在此保修范围内。请注意，若因移除或更改产品或零件之识别标签，则保修失效。

\*所有 OEM 及 ODM 包装产品均含有一年有限保修。

\*如果原产国所提之保修与本说明互有冲突时，应以实际销售国家之说明为准。

\*保修期间内若有电子零件故障或配件购买需求，请洽购买店或原厂。

繁體中文 (ZHT)

Cooler Master 保證本設備之材質及工藝無瑕疵，並提供自本產品之日起兩年之有限硬體保固服務。自購買日起算，請保留您的收據作為安全之憑。以 Cooler Master 需求型號保固本產品。本產品專為電腦設計，一旦將本設備用於其他用途，則保固失效。若您不熟悉電腦安裝程序，請尋求專業之協助。保固服務僅適用於正常使用下之故障情形。基本本公司不負責任因誤操作、使用不當、意外、疏忽、電壓供應錯誤、空氣及水污染等非原廠因素造成之損壞。因非原廠因素造成之損壞，恕不在此保固範圍內。請注意，若因移除或更改產品或零件之識別標籤，則保固失效。

\*所有 OEM 及 ODM 包裝產品均含有一年有限保固。

\*如果原產國家所提之保固與本說明互有衝突時，應以實際銷售國家之說明為準。

\*保固期間內若有電子零件故障或配件購買需求，請洽原廠購買店。

Türkçe (TR)

Cooler Master bu cihazın malzeme ve işçilik hususunda kullanım garantisi eder ve cihaz için satın alma tarihinden itibaren iki yıl süreli bir donanım garantisini verir. Alım belgelerinizi için lütfen saklayınız. Bu cihazın yalnızca bilgisayar kullanımına uygun tasarlanmıştır. Bu cihazın başka bir kapasitede kullanılması garantiyi geçersiz kılar. Bilgisayar donanımı montajını bilmiyorsanız, lütfen profesyonel yardım talep edin.

Her türlü garanti normal kullanımdan kaynaklıdır. Cooler Master'in hatası olmayan uygunsuz kullanım, depolama, yanlış kullanım veya kötü kullanım, kazaya ya da ihmalden kaynaklanan arıza ya da hasarlar garanti kapsamı dışındadır.

Dikkat: Ürün ya da parça tanıtma etiketlerinin sökülmesi ya da değiştirilmesi garantiyi geçersiz kılar.

\*1. Tüm OEM / ODM ambalajlar ürünler için bir yıl süreli garantili gelir.

\*2. Garanti verilecek şekilde satışta ve bu kılavuzda açıklanan arızalarla bir değilse, satış noktasının bulunduğu ülkedeki garanti hükümleri önceliklidir.

\*3. Elektronik bileşenlerin arızalanması ya da garanti süresinde aksesuarların satın alınması gerekirse, lütfen ürünü satın aldığınız mağazaya başvurunuz.

部件名称	有毒有害物质元素					
	铅 (Pb)	汞 (Hg)	镉 (Cd)	六价铬 (Cr(VI))	多溴联苯 (PBB)	多溴二苯醚 (PBDE)
机箱面板	×	○	○	○	○	○
散热器	×	○	○	○	○	○
V/C散热器	×	○	○	○	○	○
风扇	×	○	○	○	○	○
弹性胶	×	○	○	○	○	○
电源	×	○	○	○	○	○

本表格符合 RoHS 1.0 标准的要求。  
 ○ 表示该有害物质在指定浓度范围内含量符合 RoHS 1.0 规定的限量要求。  
 × 表示该有害物质在指定浓度范围内含量超过 RoHS 1.0 规定的限量要求。

Note: The form is only applied to China law.

Cooler Master Products: Limited Warranty  
 This document describes the warranty terms for all Cooler Master product sold in Australia.  
 For Australia only:  
 Our goods come with guarantee that cannot be excluded under the Australian Consumer Law. You are entitled to a replacement or refund for a major failure and for compensation for any other reasonably foreseeable loss or damage. You are also entitled to have the goods repaired or replaced if the goods fail to be of acceptable quality and the failure does not amount to a major failure. Cooler Master Technology Inc., BF, No. 299-1, Zhongxing Rd., Zhonghe Dist., New Taipei City 22066, Taiwan (R.O.C.).  
 Telephone: +886-2-2225-3517 (standard international call charges apply.)

What the warranty protects: This Warranty is valid to the original purchaser only.  
 This warranty is valid only for the Cooler Master Products distributed by authorized dealer(s) in Australia. Please contact Cooler Master for warranty information and services.  
 \*Cooler Master Support: account@coolermaster.com

What is used to Not Covered:  
 It is important to note that our warranty is not an unconditional guarantee for the duration of the Program. Any replaced parts become the property of Cooler Master. The Program does not apply to the software component of a product or a product which has been damaged due to accident, misuse, abuse, improper installation, usage not in accordance with product specifications and instructions, natural or personal disaster, or unintentional alteration, repairs or modifications.

The Program does not cover any events such as below:  
 \*Any damages unrelated to manufacturing defects.  
 \*Any unsuitable environment or use of the product in Cooler Master Opinion.  
 \*Any product which has been modified without official permission from Cooler Master, or an which the serial number or warranty sticker has been defaced, modified or removed.  
 \*Damage, deterioration or malfunction resulting from:  
 \*Accident, abuse, misuse, neglect, fire, water, lightning or other acts of nature, commercial or industrial use, unauthorized product modification or failure to follow instructions included with the product.  
 \*Third party products using Cooler Master components will not be covered by warranty. See your vendor or the manufacturer for information about services.  
 \*Repair or replacement repair by anyone not authorized by Cooler Master, Inc.  
 \*Any electronic damaged (claims must be made with the carrier).  
 \*Unauthorized repair to a Cooler Master product will void the warranty offered by the Program. Cooler Master reserves the right to refuse to service any product which has been altered, modified or repaired by non-Cooler Master service personnel.  
 \*Cooler Master does not warrant that this product will meet your requirements. It is your responsibility to determine the suitability of this product for your purpose.  
 \*Removal of installation charges.  
 \*You are responsible for the cost of shipping the product to Cooler Master. Cooler Master pays the cost of returning a product to you.  
 \*Cooler Master reserves the right to replace the product with a service product at their sole discretion at any time.  
 \*Product malfunction or damage resulting from liquids or media (such as USB cables, extension cables, adapter cables, adapters, power cords, screws, interface brackets, etc.) and all other accessories.  
 \*All accessories that malfunction due to physical damage (such as USB cables, extension cables, adapter cables, adapters, power cords, screws, interface brackets, etc.) and all other accessories.

Limitation of implied warranties:  
 THESE ARE NOT WARRANTIES, EXPRESS OR IMPLIED, WHICH EXTEND BEYOND THE DESCRIPTION CONTAINED HEREIN INCLUDING THE IMPLIED WARRANTY OF MERCHANTABILITY AND FITNESS FOR A PARTICULAR PURPOSE.

Exclusion of damages:  
 COOLER MASTER'S LIABILITY IS LIMITED TO THE COST OF REPAIR OR REPLACEMENT OF THE PRODUCT. COOLER MASTER SHALL NOT BE LIABLE FOR: DAMAGES TO OTHER PROPERTY CAUSED BY ANY DEFECT IN THE PRODUCT; DAMAGES BASED UPON INCONEVENIENCE, LOSS OF USE OF THE PRODUCT; LOSS OF TIME, LOSS OF PROFITS, LOSS OF BUSINESS OPPORTUNITY, LOSS OF GOODWILL, INTERFERENCE WITH BUSINESS RELATIONSHIPS OR OTHER COMMERCIAL LOSS, EVEN IF ADVISED OF THEIR POSSIBILITY OF SUCH DAMAGES.  
 \*ANY OTHER DAMAGES, WHETHER INCIDENTAL, CONSEQUENTIAL OR OTHERWISE.  
 \*ANY CLAIM AGAINST THE COOLER MASTER BY ANY OTHER PARTY.

Warranty Information:  
 The goods are covered with reasonable defect within the period of (refer to Table A.) starting on the first day of purchase (with proof of invoice), in which you must do, in claim the warranty goods to the address above.

Procedure:  
 1. Consumers should return to the shop where he/she has bought the goods. After conforming with the shop with a valid invoice, they may approach the distributor for RMA. Use:  
 2. After confirmed by the distributor that the goods was damaged due to natural causes, replacement and repair will be done by distributor (including brand new or refurbished goods).  
 3. All faulty goods must return to the distributor. Expenses for returning the faulty goods will be covered by the consumer, and distributor will cover the cost involved in the transporting of parts or repaired goods to the consumer.

Regarding all the expenses incurred in making the claim, and this is how you would claim:  
 1. Within the valid warranty date, starting from the first day of issuing invoice, Retail shops will assist in confirmation with distributor for the consumer for the following:  
 A. If the damage was caused by the consumer, then the consumer should cover all expenses in fixing the product, if the product still can't be fixed, we would suggest consumer to buying a brand new product.  
 B. Product defect caused under natural use, expenses will be covered by the distributor.  
 2. Faulty products with expired warranty dates, we would suggest consumer to purchase a brand new products, without undergoing for repairs.

Table A:  
 Cooler Master Products:  
 Please check your user manual for the exact warranty period terms for products that are not shown below.  
 For more warranty information, please visit our official website: <http://www.cooler-master.com/service/warranty.html>

Chassis	Product Name	Warranty Term
All Chassis Series (Only Electronic Parts)		2 year
C-F (Chassis + PSU)		1 year

(EN) Limited warranty period: <http://www.cooler-master.com/service/warranty.html>  
 (AR) الحد الأدنى للضمان: <http://www.cooler-master.com/service/warranty.html>  
 (BG) Период на гаранцията: <http://www.cooler-master.com/service/warranty.html>  
 (CS) Období ochrany záruky: <http://www.cooler-master.com/service/warranty.html>  
 (DA) Begrænset garanti: <http://www.cooler-master.com/service/warranty.html>  
 (DE) Beschränkter Garantiezeitraum: <http://www.cooler-master.com/service/warranty.html>  
 (EL) Περιοχή εγγύησης: <http://www.cooler-master.com/service/warranty.html>  
 (ES) Período de garantía limitada: <http://www.cooler-master.com/service/warranty.html>  
 (FA) مدت زمان گارانتی: <http://www.cooler-master.com/service/warranty.html>  
 (FI) Rajoitettu takuuajaksi: <http://www.cooler-master.com/service/warranty.html>  
 (FR) Période de garantie limitée: <http://www.cooler-master.com/service/warranty.html>  
 (HU) Korlátozott időtartalmú időszaki: <http://www.cooler-master.com/service/warranty.html>  
 (HR) Razdoblje ograničenog jamstva: <http://www.cooler-master.com/service/warranty.html>  
 (ID) Masa garansi terbatas: <http://www.cooler-master.com/service/warranty.html>  
 (IT) Período di garanzia limitata: <http://www.cooler-master.com/service/warranty.html>  
 (JA) 限定保証期間: <http://www.cooler-master.com/service/warranty.html>  
 (KO) 한정 보증 기간: <http://www.cooler-master.com/service/warranty.html>  
 (KZ) Короткий период гарантии: <http://www.cooler-master.com/service/warranty.html>  
 (NL) Beperkte garantieperiode: <http://www.cooler-master.com/service/warranty.html>  
 (NO) Garanterperiode, begrenset garanti: <http://www.cooler-master.com/service/warranty.html>  
 (PL) Okres ograniczonej gwarancji: <http://www.cooler-master.com/service/warranty.html>  
 (PT) Período de garantia limitada: <http://www.cooler-master.com/service/warranty.html>  
 (RU) Ограниченный гарантийный срок: <http://www.cooler-master.com/service/warranty.html>  
 (SR) Period ograničene garancije: <http://www.cooler-master.com/service/warranty.html>  
 (SI) Ograničen obdobje garancije: <http://www.cooler-master.com/service/warranty.html>  
 (TH) 限定保証期間: <http://www.cooler-master.com/service/warranty.html>  
 (UK) Обмежений гарантійний термін: <http://www.cooler-master.com/service/warranty.html>  
 (ZT) 有限保証期間: <http://www.cooler-master.com/service/warranty.html>



# User Guide

AX3000 Wi-Fi 6 Bluetooth 5.0 PCIe Adapter  
Archer TX3000E

# Contents

About This Guide .....	01
Chapter 1. Get to Know About Your Adapter .....	02
Chapter 2. Connect to a Computer .....	04
Chapter 3. Use Your Adapter .....	07
3.1. Install Drivers.....	08
3.2. Join a Wireless Network.....	09
3.3. Pair with Bluetooth Devices.....	09
3.4. Uninstall Drivers.....	09
Appendix: Troubleshooting .....	10

# About This Guide

This guide is a complement to Quick Installation Guide. The Quick Installation Guide instructs you on quick installation, and this guide provides the product overview and more detailed instructions for each steps.

When using this guide, please notice that features available of the adapter may vary by model and software version. It may also vary by region or ISP. All images, steps, and descriptions in this guide are only examples and may not reflect your actual experience.

## Conventions

In this guide, the following conventions are used:

Convention	Description
<u>Underlined</u>	Underlined words or phrases are hyperlinks. You can click to redirect to a website or a specific section.
Teal	Contents to be emphasized and texts on the web page are in teal, including the menus, items, buttons, etc.
■ Note:	Ignoring this type of note might result in a malfunction or damage to the device.
◆ Tips:	Indicates important information that helps you make better use of your device.

\*Maximum wireless signal rates are the physical rates derived from IEEE Standard 802.11 specifications. Actual wireless data throughput and wireless coverage are not guaranteed and will vary as a result of 1) environmental factors, including building materials, physical objects, and obstacles, 2) network conditions, including local interference, volume and density of traffic, product location, network complexity, and network overhead, and 3) AP limitations, including rated performance, location, connection quality, and AP condition.

\*Use of MU-MIMO requires AP to also support MU-MIMO.

\*Use of 1024-QAM requires AP to also support 1024-QAM.

## More Info

- The latest driver can be found at [Download Center](https://www.tp-link.com/support) at <https://www.tp-link.com/support>.
- The Quick Installation Guide (QIG) can be found where you find this guide or inside the package of the product.
- Specifications can be found on the product page at <https://www.tp-link.com>.
- A TP-Link Community is provided for you to discuss our products at <https://community.tp-link.com>.

## Chapter 1

---

# Get to Know About Your Adapter

---

This chapter introduces the detail of the adapter.

The TP-Link Archer TX3000E supports the latest Bluetooth 5.0 technology, achieving 2× faster speed and 4× broader coverage than Bluetooth 4.2 to connect as more as you want and enjoy the smoother experience than ever.



With equipped 1024-QAM and MU-MIMO technology, Archer TX3000E delivers faster and clearer Wi-Fi to take your PC's Wi-Fi reception to the next level and fully achieve the potential of your Wi-Fi 6 router.

- Supports IEEE 802.11ax/ac/n/a 5 GHz, IEEE 802.11ax/n/g/b 2.4 GHz
- Supports Bluetooth 5.0/4.2/4.0
- Supports infrastructure mode
- Maximum speed of up to 2402Mbps on 5GHz network and 574Mbps on 2.4GHz network
- Supports WEP, WPA/WPA2/WPA3, WPA-PSK/WPA2-PSK,802.1X
- Windows 10 (64-bit) only
- Environment:
  - Operating Temperature: 0°C~40°C (32°F~104°F)
  - Storage Temperature: -40°C~70°C (-40°F~158°F)
  - Operating Humidity: 10%~90% non-condensing
  - Storage Humidity: 5%~90% non-condensing

## Chapter 2

---

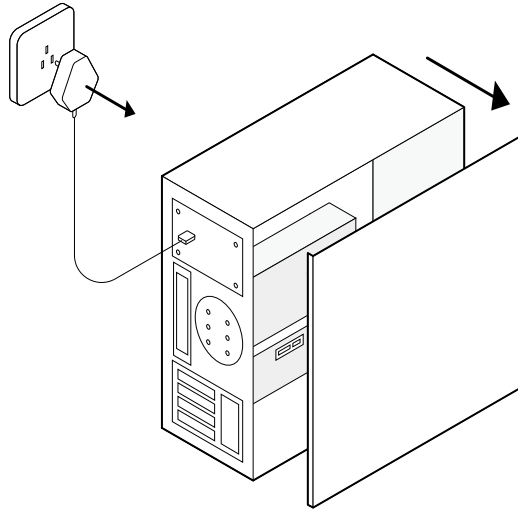
# Connect to a Computer

---

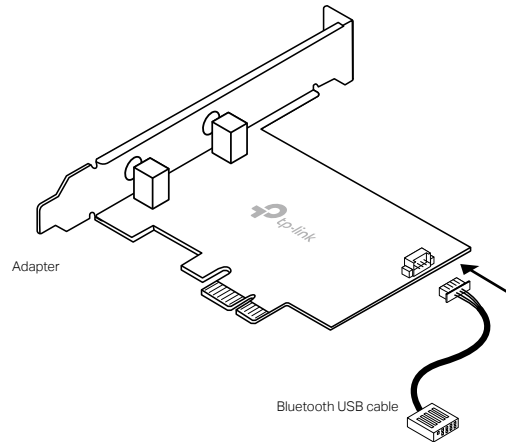
This chapter introduces how to connect the adapter to your computer.  
Please note that images are for demonstration only.



1. Turn off your computer, unplug the power cable then remove the case panel.



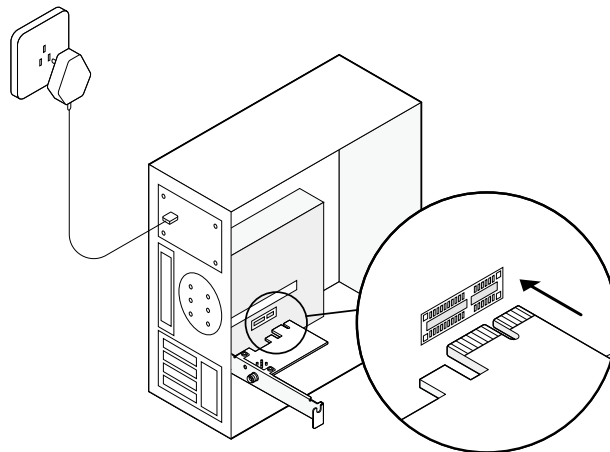
2. Connect the provided Bluetooth USB cable to the adapter.



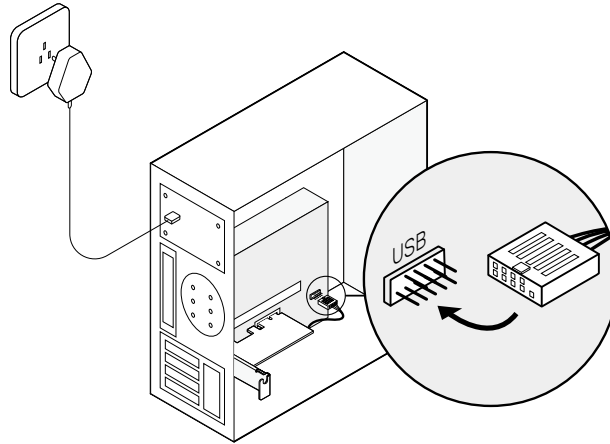
3. Locate an available **PCI E X1** slot and carefully insert the adapter.

Tip:

If the bracket is not suitable for your computer, detach it from the adapter's board and replace it with the low-profile bracket.



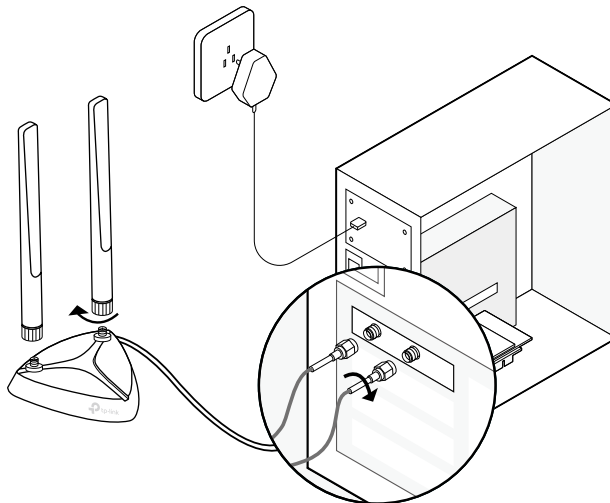
4. Locate an available **F\_USB** connector and carefully plug the Bluetooth USB cable into it.



■ Note:

If the Bluetooth USB cable is not correctly connected to the motherboard, Bluetooth function won't work even after driver installation.

5. Install the antennas on the magnetized antenna base, then connect the base to the adapter.



◆ Tip:

To maximize performance, avoid physical obstructions in the path between your antennas and router.

6. Replace the case panel, plug in the power cable and turn on your computer.

After connecting your adapter to the computer, follow the instructions in the next chapter to install Wi-Fi and Bluetooth drivers.

## Chapter 3

---

# Use Your Adapter

---

This chapter introduces how to install or uninstall your adapter's Wi-Fi and Bluetooth drivers, connect to a wireless network, and pair with a Bluetooth device on Windows 10 (64 bit) system.

This chapter includes the following sections:

- [Install Drivers](#)
- [Join a Wireless Network](#)
- [Pair with Bluetooth Devices](#)
- [Uninstall Drivers](#)

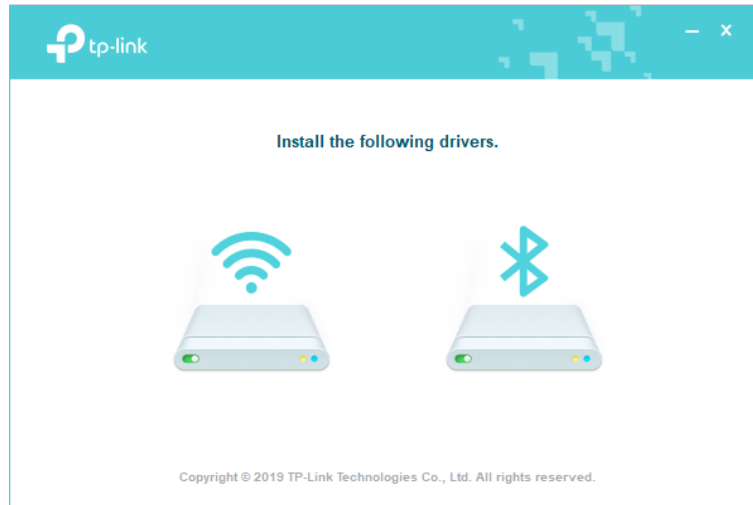
## 3. 1. Install Drivers



### 1. Insert the CD and run the **Autorun.exe**.

■ **Note:** You can also check the new release and download the driver at <https://www.tp-link.com/support/download/>


### 2. Install the Wi-Fi and Bluetooth drivers.

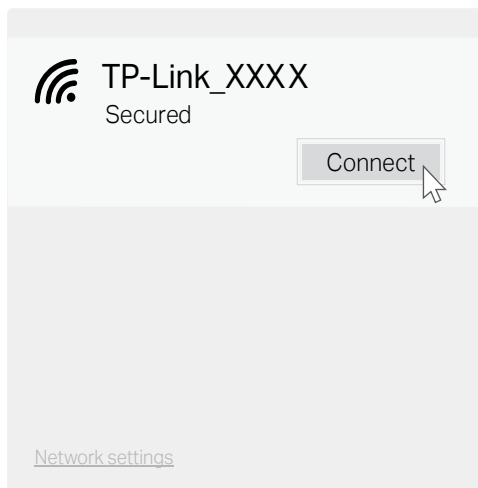
■ **Note:** DO NOT install the Bluetooth and Wi-Fi drivers simultaneously. If one driver is being installed, please wait until it is finished, then try installing the other again.




- **Wi-Fi:** Click  and follow the on-screen instructions to complete the Wi-Fi installation.
- **Bluetooth:** Click  and follow the on-screen instructions to complete the Bluetooth installation.

## 3.2. Join a Wireless Network

1. Click the  icon ( Wireless Network ) on the taskbar.
2. Select your Wi-Fi network, click **Connect**, and enter the password when prompted.



## 3.3. Pair with Bluetooth Devices

1. Right click the  (Bluetooth) icon on the taskbar.
2. Select **Add a Bluetooth Device** to scan for available devices.
3. Select your Bluetooth device from the list and follow the on-screen instructions to complete pairing.

■ **Note:** If it's not displayed, refer to [Troubleshooting-T4](#).

## 3.4. Uninstall Drivers

### • Uninstall Wi-Fi driver

Go to **Start > Apps**, find the Wi-Fi driver **Inter® PROSet/Wireless Software**. Click on it and select **Uninstall**, then follow the on-screen instructions to complete the uninstallation.

### • Uninstall Bluetooth driver

Go to **Start > Apps**, find the Bluetooth driver **Inter(R) Wireless Bluetooth(R)**. Click on it and select **Uninstall**, then follow the on-screen instructions to complete the uninstallation.



# Appendix: Troubleshooting

## T1. What should I do if the adapter is not detected?

- Make sure the adapter is securely located in the appropriate **PCI-E X1** slot.
- Make sure you meet the system requirements for the adapter. The current version of Archer TX3000E only supports Windows 10 (64bit).
- Make sure you use the latest driver for your specific adapter. The latest drivers can be found at the product's Support page at <https://www.tp-link.com>.
- Try restarting the computer or try the adapter on a different computer.

## T2. How to check if I have installed the drivers successfully or not?

Check your taskbar if there are Wi-Fi and Bluetooth icons.

- If you can see the  icon ( Wireless Network ) on the taskbar, you have already installed the Wi-Fi driver successfully.
- If you can see the  (Bluetooth) icon on the taskbar, you have already installed the Bluetooth driver successfully.

## T3. What should I do if can't connect to the Wi-Fi after installing the driver?

- Refer to [T2](#) to check if you have installed the driver for your adapter successfully .
- Disable the antivirus software and firewall, then try again.
- Make sure the adapter is securely located in the appropriate PCI-E X1 slot.
- Try a different PCI-E X1 slot on the computer.
- Restart your computer and try again.
- Reinstall the driver and try again.

## T4. What should I do if the Bluetooth icon doesn't appear?

- Make sure you have turned on the Bluetooth in your Windows settings. To enable Bluetooth, go to [Start](#) > [Settings](#) > [Devices](#) > [Bluetooth & other devices](#) and turn on Bluetooth.
- Make sure there are no other Bluetooth devices on the computer. If there are, disable all existing Bluetooth devices in Device Manager, then reinstall the adapter and try again.

◆ **Tip:** To go to Device Manager: Right-click My Computer or This PC, select Manage, go to Device Manager and disable all existing Bluetooth devices.

## T5. How to find the hardware version of the adapter?


- The hardware version printed on the product label on the package or the adapter. There is a character string "Ver:X.Y" (for example, Ver:1.0) in the Serial Number field, and the number X is the hardware version of the adapter.



### For more detailed instructions:

- Can't find the hardware version of the adapter: <https://www.tp-link.com/faq-46.html>
- Can't find or connect to the wireless networks: <https://www.tp-link.com/faq-2253.html>
- Can't install the driver: <https://www.tp-link.com/faq-2252.html>

## **COPYRIGHT & TRADEMARKS**

Specifications are subject to change without notice.  tp-link is a registered trademark of TP-Link Technologies Co., Ltd. Other brands and product names are trademarks or registered trademarks of their respective holders.

No part of the specifications may be reproduced in any form or by any means or used to make any derivative such as translation, transformation, or adaptation without permission from TP-Link Technologies Co., Ltd. Copyright © 2019 TP-Link Technologies Co., Ltd. All rights reserved.



## FCC STATEMENT



Product Name: AX3000 Wi-Fi 6 Bluetooth 5.0 PCIe Adapter

Model Number: Archer TX3000E

Responsible party:

TP-Link USA Corporation, d/b/a TP-Link North America, Inc.

Address: 145 South State College Blvd. Suite 400, Brea, CA 92821

Website: <http://www.tp-link.com/us/>

Tel: +1 626 333 0234

Fax: +1 909 527 6803

E-mail: [sales.usa@tp-link.com](mailto:sales.usa@tp-link.com)

This equipment has been tested and found to comply with the limits for a Class B digital device, pursuant to part 15 of the FCC Rules. These limits are designed to provide reasonable protection against harmful interference in a residential installation. This equipment generates, uses and can radiate radio frequency energy and, if not installed and used in accordance with the instructions, may cause harmful interference to radio communications. However, there is no guarantee that interference will not occur in a particular installation. If this equipment does cause harmful interference to radio or television reception, which can be determined by turning the equipment off and on, the user is encouraged to try to correct the interference by one or more of the following measures:

- Reorient or relocate the receiving antenna.
- Increase the separation between the equipment and receiver.
- Connect the equipment into an outlet on a circuit different from that to which the receiver is connected.
- Consult the dealer or an experienced radio/ TV technician for help.

This device complies with part 15 of the FCC Rules. Operation is subject to the following two conditions:

- 1) This device may not cause harmful interference.
- 2) This device must accept any interference received, including interference that may cause undesired operation.

Any changes or modifications not expressly approved by the party responsible for compliance could void the user's authority to operate the equipment.

Note: The manufacturer is not responsible for any radio or TV interference caused by unauthorized modifications to this equipment. Such modifications could void the user's authority to operate the equipment.

**FCC RF Radiation Exposure Statement:**

This equipment complies with FCC RF radiation exposure limits set forth for an uncontrolled environment. This device and its antenna must not be co-located or operating in conjunction with any other antenna or transmitter.

"To comply with FCC RF exposure compliance requirements, this grant is applicable to only Mobile Configurations. The antennas used for this transmitter must be installed to provide a separation distance of at least 20 cm from all persons and must not be co-located or operating in conjunction with any other antenna or transmitter."

We, **TP-Link USA Corporation**, has determined that the equipment shown as above has been shown to comply with the applicable technical standards, FCC part 15. There is no unauthorized change is made in the equipment and the equipment is properly maintained and operated.

Issue Date: 2019-09-24

## CE Mark Warning



This is a class B product. In a domestic environment, this product may cause radio interference, in which case the user may be required to take adequate measures.

### **OPERATING FREQUENCY(the maximum transmitted power)**

2400MHz—2483.5MHz(20dBm)

5150MHz—5250MHz(23dBm)

5250MHz—5350MHz(23dBm)

5470MHz—5725MHz(23dBm)

### **EU declaration of conformity**

TP-Link hereby declares that the device is in compliance with the essential requirements and other relevant provisions of directives 2014/53/EU, 2011/65/EU and (EU)2015/863.

The original EU declaration of conformity may be found at <https://www.tp-link.com/en/ce>

### **RF Exposure Information**

This device meets the EU requirements (2014/53/EU Article 3.1a) on the limitation of exposure of the general public to electromagnetic fields by way of health protection.

The device complies with RF specifications when the device used at 20 cm from your body.

Attention: This device may only be used indoors in all EU member states and EFTA countries.

	AT	BE	BG	CH	CY	CZ	DE	DK
	EE	EL	ES	FI	FR	HR	HU	IE
	IS	IT	LI	LT	LU	LV	MT	NL
	NO	PL	PT	RO	SE	SI	SK	UK

### **Canadian Compliance Statement**

This device contains licence-exempt transmitter(s)/receiver(s) that comply with Innovation, Science and Economic Development Canada's licence-exempt RSS(s). Operation is subject to the following two conditions:

(1) This device may not cause interference.

(2) This device must accept any interference, including interference that may cause undesired operation of the device.

L'émetteur/récepteur exempt de licence contenu dans le présent appareil est conforme aux CNR d'Innovation, Sciences et Développement économique Canada applicables aux appareils radio exempts de licence. L'exploitation est autorisée aux deux conditions suivantes :

- 1) L'appareil ne doit pas produire de brouillage;
- 2) L'appareil doit accepter tout brouillage radioélectrique subi, même si le brouillage est susceptible d'en compromettre le fonctionnement.

This radio transmitter (IC: 1000M-AX200NG/ Model: Archer TX3000E) has been approved by Industry Canada to operate with the antenna types listed below with the maximum permissible gain indicated. Antenna types not included in this list below, having a gain greater than the maximum gain indicated for that type, are strictly prohibited for use with this device.

Le présent émetteur radio (IC: 1000M-AX200NG/ Model: Archer TX3000E) a été approuvé par Industrie Canada pour fonctionner avec les types d'antenne énumérés ci-dessous et ayant un gain admissible maximal. Les types d'antenne non inclus dans cette liste ci-dessous et dont le gain est supérieur au gain maximal indiqué, sont strictement interdits pour l'exploitation de l'émetteur.

Antenna	Two High-Gain Dual Band Antennas
---------	----------------------------------

**Caution:**

- 1) The device for operation in the band 5150–5250 MHz is only for indoor use to reduce the potential for harmful interference to co-channel mobile satellite systems;
- 2) For devices with detachable antenna(s), the maximum antenna gain permitted for devices in the bands 5250-5350 MHz and 5470-5725 MHz shall be such that the equipment still complies with the e.i.r.p. limit;
- 3) For devices with detachable antenna(s), the maximum antenna gain permitted for devices in the band 5725-5850 MHz shall be such that the equipment still complies with the e.i.r.p. limits specified for point-to-point and non-point-to-point operation as appropriate; and

DFS (Dynamic Frequency Selection) products that operate in the bands 5250-5350 MHz, 5470-5600MHz, and 5650-5725MHz.

## **Avvertissement:**

- 1) Le dispositif fonctionnant dans la bande 5150-5250 MHz est réservé uniquement pour une utilisation à l'intérieur afin de réduire les risques de brouillage préjudiciable aux systèmes de satellites mobiles utilisant les mêmes canaux;
- 2) Le gain maximal d'antenne permis pour les dispositifs avec antenne(s) amovible(s) utilisant les bandes 5250-5350 MHz et 5470-5725 MHz doit se conformer à la limitation P.I.R.E.;
- 3) Le gain maximal d'antenne permis pour les dispositifs avec antenne(s) amovible(s) utilisant la bande 5725-5850 MHz doit se conformer à la limitation P.I.R.E. spécifiée pour l'exploitation point à point et non point à point, selon le cas.

Les produits utilisant la technique d'atténuation DFS (sélection dynamique des fréquences) sur les bandes 5250- 5350 MHz, 5470-5600MHz et 5650-5725MHz.

## **Radiation Exposure Statement:**

This equipment complies with IC radiation exposure limits set forth for an uncontrolled environment. This equipment should be installed and operated with minimum distance 20cm between the radiator & your body.

## **Déclaration d'exposition aux radiations:**

Cet équipement est conforme aux limites d'exposition aux rayonnements IC établies pour un environnement non contrôlé. Cet équipement doit être installé et utilisé avec un minimum de 20 cm de distance entre la source de rayonnement et votre corps.

## **Industry Canada Statement**

CAN ICES-3 (B)/NMB-3(B)

## **Korea Warning Statements**

당해 무선설비는 운용중 전파혼신 가능성이 있음.

## **NCC Notice**

注意!

依據 低功率電波輻射性電機管理辦法

第十二條 經型式認證合格之低功率射頻電機，非經許可，公司、商號或使用者均不得擅自變更頻率、加大功率或變更原設計之特性或功能。

第十四條 低功率射頻電機之使用不得影響飛航安全及干擾合法通信；經發現有干擾現象時，應立即停用，並改善至無干擾時方得繼續使用。前項合法通信，指依

電信規定作業之無線電信。低功率射頻電機需忍受合法通信或工業、科學以及醫療用電波輻射性電機設備之干擾。

4.7.9.1 應避免影響附近雷達系統之操作。

4.7.9.2 高增益指向性天線只得應用於固定式點對點系統。

## BSMI Notice

### 安全諮詢及注意事項

- 請使用原裝電源供應器或只能按照本產品注明的電源類型使用本產品。
- 清潔本產品之前請先拔掉電源線。請勿使用液體、噴霧清潔劑或濕布進行清潔。
- 注意防潮，請勿將水或其他液體潑灑到本產品上。
- 插槽與開口供通風使用，以確保本產品的操作可靠並防止過熱，請勿堵塞或覆蓋開口。
- 請勿將本產品置放於靠近熱源的地方。除非有正常的通風，否則不可放在密閉位置中。
- 請不要私自打開機殼，不要嘗試自行維修本產品，請由授權的專業人士進行此項工作。

### 限用物質含有情況標示聲明書

產品元件名稱	限用物質及其化學符號					
	鉛 Pb	鎘 Cd	汞 Hg	六價鉻 CrVI	多溴聯苯 PBB	多溴二苯醚 PBDE
PCB	○	○	○	○	○	○

備考1. “超出0.1 wt %”及“超出0.01 wt %”系指限用物質之百分比含量超出百分比含量基準值。  
備考2. “○”系指該項限用物質之百分比含量未超出百分比含量基準值。



Продукт сертифіковано згідно с правилами системи УкрСЕПРО на відповідність вимогам нормативних документів та вимогам, що передбачені чинними законодавчими актами України.




## Safety Information

- Keep the device away from water, fire, humidity or hot environments.
- Do not attempt to disassemble, repair, or modify the device
- Do not use the device where wireless devices are not allowed.

Please read and follow the above safety information when operating the device. We cannot guarantee that no accidents or damage will occur due to improper use of the device. Please use this product with care and operate at your own risk.

### Explanation of the symbols on the product label

Symbol	Explanation
	<p>RECYCLING</p> <p>This product bears the selective sorting symbol for Waste electrical and electronic equipment (WEEE). This means that this product must be handled pursuant to European directive 2012/19/EU in order to be recycled or dismantled to minimize its impact on the environment.</p> <p>User has the choice to give his product to a competent recycling organization or to the retailer when he buys a new electrical or electronic equipment.</p>