

SHARP SMART CONVECTION WALL OVEN WITH MICROWAVE DRAWER™ OVEN

MODEL SWB3085HS



IMPORTANT SAFETY INSTRUCTIONS

Carefully read the important information regarding installation, safety and maintenance.
Keep these instructions for future reference.

CONTENTS

PRECAUTIONS TO AVOID POSSIBLE EXPOSURE TO EXCESSIVE MICROWAVE ENERGY	2
CUSTOMER ASSISTANCE (US ONLY)	3
CUSTOMER ASSISTANCE (CANADA ONLY)	4
US CONSUMER LIMITED WARRANTY	5
CANADA CONSUMER LIMITED WARRANTY	6
OVEN SAFETY	7
IMPORTANT SAFETY INSTRUCTIONS	8-10
IMPORTANT INFORMATION	11
UNPACK THE APPLIANCE	11
BEFORE OPERATING	11
CONDITION OF UNIT	11
SERVICE AND REPAIR WARNING	11
RADIO OR TV INTERFERENCE	11
GROUNDING INSTRUCTIONS	11
PRODUCT DISPOSAL	11
PARTS AND FEATURES	12-13
TOUCH SCREEN CONTROL	14-16
HOME	15
UPPER OVEN	15
LOWER MICROWAVE OVEN	16
SETTINGS	16
OVEN USE	17-18
BEFORE USING THE OVEN	17
GENERAL	17
MICROWAVE DRAWER USE	19-21
GENERAL	19
POWER LEVEL	19
MICROWAVE COOKING	19
MICROWAVE SAFETY	20
MICROWAVE UTENSILS	20
CLEANING AND CARE	22-25
OVEN GENERAL CLEANING	22
AUTOMATIC SELF-CLEANING	23
OVEN DOOR REMOVAL	23
REPLACING AN OVEN LIGHT	24
MICROWAVE OVEN CARE	25
TROUBLESHOOTING	26-27

PRECAUTIONS TO AVOID POSSIBLE EXPOSURE TO EXCESSIVE MICROWAVE ENERGY

- (a) Do not attempt to operate this oven with the door open since open-door operation can result in harmful exposure to microwave energy. It is important not to defeat or tamper with the safety interlocks.
- (b) Do not place any object between the oven front face and the door or allow soil or cleaner residue to accumulate on sealing surfaces.
- (c) Do not operate the oven if it is damaged. It is particularly important that the oven door close properly and that there is no damage to the: (1) door (bent), (2) hinges and latches (broken or loosened), (3) door seals and sealing surfaces.
- (d) The oven should not be adjusted or repaired by anyone except properly qualified service personnel.

REGISTER YOUR PRODUCT

Registering your new product is easy and offers benefits that help you get the most out of your Sharp product including:

- ✓ **Convenience:** If you ever need warranty support, your product information is already on file.
- ✓ **Communication:** Stay up to date with important notifications and special offers from SHARP.
- ✓ **Support:** Quickly access support content including Owner's Manuals, FAQ's, How-to Videos, and much more.

3 EASY WAYS TO REGISTER TODAY!

 <p>SCAN Use the camera or QR code scanning application on your mobile device</p>	 <p>ONLINE Visit our sites to learn more about your product at sharpusa.com and sbl.sharpusa.com</p>	 <p>CALL US US 800-BE-SHARP 800-237-4277 Mon-Fri: 7am-7pm CST Sat-Sun: 9am-7pm CST</p>
Scan this QR Code on your mobile device	Visit http://www.sharpusa.com/register	Contact a Sharp Advisor on the phone

PRODUCT SUPPORT




If you have questions about the setup or operation of your product, please refer to the corresponding section within this manual.

Additionally, visit www.sharpusa.com/support to access exclusive content about your product including:

- FAQ's and How-To Videos
- Find or Request Service
- Extended Warranty Options
- Downloads including the Installation Guide, Spec Sheet, and Owner's Manual

CONTACT US

If at any time you have questions or comments concerning your SHARP product, please contact the SHARP Customer Assistance Center. We are available to assist you through multiple contact methods for your convenience:

 <p>EMAIL Available 24/7 US: sharpusa.com</p>	 <p>CHAT ONLINE Mon-Fri: 7am-7pm CST Sat-Sun: 9am-7pm CST</p>	 <p>CALL US US 800-BE-SHARP 800-237-4277 Mon-Fri: 7am-7pm CST Sat-Sun: 9am-7pm CST</p>
See the Contact Us section on our sites	U.S. www.sharpusa.com/support	Contact a Sharp Advisor on the phone

CUSTOMER ASSISTANCE

CANADA ONLY

To aid in answering questions if you call for service or for reporting loss or theft, please use the space below to record the model and serial number located on the back side of the unit.

Model Number: _____

Serial Number: _____

Date of Purchase: _____

Dealer Name: _____

Address: _____

City: _____

Province: _____

Postal Code: _____

Telephone: _____

PRODUCT SUPPORT

If you have questions about the setup or operation of your product, please refer to the corresponding section within this manual.

Additionally, visit www.sharp.ca to access exclusive content about your product including:

- Find a Dealer
- Find Service Locations
- Downloads including the Installation Guide, Spec Sheet, and Owner's Manual

CONTACT US

If at any time you have questions or comments concerning your SHARP product, please contact the SHARP Customer Assistance Center. We are available to assist you through multiple contact methods for your convenience:

 <p>EMAIL Available 24/7 See the Contact Us section on our site.</p> <p>https://sharp.ca/contact-sharp</p>	 <p>SUPPORT SITE Product Downloads, Service Locator, Where to Buy, Toner Recycling Program and more.</p> <p>CA www.sharp.ca</p>	 <p>CALL US CA 877-278-6709 Mon-Fri: 8am-5pm EST (except statutory holidays)</p> <p>Contact a Sharp Advisor on the phone</p>
---	---	---



US CONSUMER LIMITED WARRANTY

SHARP ELECTRONICS CORPORATION (“Sharp”) warrants to the first consumer purchaser (“Purchaser”) that this SHARP brand product (“Product”), when shipped in its original container and sold or distributed in the United States by Sharp or an authorized Sharp dealer or reseller, will be free from defective workmanship and materials, and agrees that it will, at its option, either repair the defect or replace the defective Product or part thereof with a new or remanufactured equivalent at no charge to the Purchaser for parts or labor for the period(s) set forth below.

This limited warranty does not apply to any appearance items of the Product nor to the additional excluded item(s) set forth below nor to any Product the exterior of which has been damaged or defaced, which has been subjected to misuse, abnormal service or handling, or which has been altered or modified in design or construction.

In order to enforce the rights under this limited warranty, the Purchaser should follow the steps set forth below and provide proof of purchase to the servicer.

The limited warranty described herein is in addition to whatever implied warranties may be granted to Purchasers by law. ALL IMPLIED WARRANTIES INCLUDING THE WARRANTIES OF MERCHANTABILITY AND FITNESS FOR USE ARE LIMITED TO THE PERIOD(S) FROM THE DATE OF PURCHASE SET FORTH BELOW. Some states do not allow limitations on how long an implied warranty lasts, so the above limitation may not apply to you.

Neither the sales personnel of the seller nor any other person is authorized to make any warranties other than those described herein, or to extend the duration of any warranties beyond the time period described above on behalf of Sharp.

The warranties described herein shall be the sole and exclusive warranties granted by Sharp and shall be the sole and exclusive remedy available to the Purchaser. Correction of defects, in the manner and for the period of time described herein, shall constitute complete fulfillment of all liabilities and responsibilities of Sharp to the Purchaser with respect to the Product, and shall constitute full satisfaction of all claims, whether based on contract, negligence, strict liability or otherwise. In no event shall Sharp be liable, or in any way responsible, for any damages or defects in the Product which were caused by repairs or attempted repairs performed by anyone other than an authorized servicer. Nor shall Sharp be liable or in any way responsible for any incident or consequential economic or property damage. Some states do not allow the exclusion of incidental or consequential damages, so the above exclusion may not apply to you.

THIS LIMITED WARRANTY IS VALID ONLY IN THE FIFTY (50) UNITED STATES, THE DISTRICT OF COLUMBIA AND PUERTO RICO.

Your product model number & description	Model # SWB3085HS Smart Convection Wall Oven with Microwave Drawer™ Oven. (Be sure to have this information available when you need service for your Product.)
Warranty period for this product:	One (1) year parts and labor including in-home service. Product must be accessible to provide service. The warranty period continues for an additional four (4) years, for a total of five (5) years, with respect to the magnetron tube in the Product for parts only; labor and service are not provided free of charge for this additional period.
Additional item(s) excluded from warranty coverage (if any):	Non-functional accessories, service calls to your home to instruct how to use your convection wall oven appliance, replace or repair house fuses or to correct house wiring, improper commercial use, installation, or maintenance, damage to the product caused by delivery, accident modifications, fire, floods or acts of God.
Where to obtain service:	From a Sharp Authorized Servicer located in the United States. To find the location of the nearest Sharp Authorized Servicer, call Sharp toll free at 1-800-237-4277 (1-800-BE-SHARP).
What to do to obtain service:	In-home service is provided for one year from date of purchase. In-home service can be arranged by calling 1-800-BE-SHARP. Be sure to have Proof of Purchase available.

TO OBTAIN SUPPLY, ACCESSORY OR PRODUCT INFORMATION, CALL 1-800-BE-SHARP or visit www.sharppusa.com. SAVE THE PROOF OF PURCHASE AS IT IS NEEDED SHOULD YOUR APPLIANCE EVER REQUIRE WARRANTY SERVICE.



LIMITED WARRANTY
Consumer Electronics Products
Congratulations on your purchase!

Sharp Electronics of Canada Ltd. ("Sharp") warrants to the first purchaser for this Sharp brand product ("Product"), when shipped in its original container and sold or distributed in Canada by Sharp or by an authorized Sharp dealer, and Product was not sold "as is" or "sales final" that the Product will during the applicable warranty period, be free from defects in material and workmanship, and will within the applicable warranty period, either repair the defective Product or provide the first purchaser a replacement of the defective Product.

Conditions: This limited warranty shall not apply to:

- (a) Any defects caused or repairs required as a result of abusive operation, negligence, accident, improper installation or inappropriate use as outlined in the owner's manual or other applicable Product documentation.
- (b) Any defects caused or repairs required as a result of any Product that has been tampered with, modified, adjusted or repaired by any person other than Sharp, a Sharp authorized service centre or a Sharp authorized servicing dealer.
- (c) Any defects caused or repairs required as a result of the use of the Product with items not specified or approved by Sharp, including but not limited to chemical cleaning agents.
- (d) Any replacement of accessories required through normal use of the Product, including but not limited to, remote controls, AC adapters, batteries, temperature probe, trays, filters, belts, ribbons, cables and paper.
- (e) Any cosmetic damage to the Product surface or exterior that has been defaced or caused by normal wear and tear.
- (f) Any defects caused or repairs required as a result of damage caused by any external or environmental conditions, including but not limited to, transmission line/power line voltage or liquid spillage or acts of God.
- (g) If the serial number or model number affixed to Product has been removed, defaced, changed, altered or tampered with.
- (h) This limited warranty will not apply if the Product has been used or is being used in a commercial setting or application; this warranty is meant solely for the non-commercial, household use of the Product by consumers in their home or residence.
- (i) Any installation, delivery, setup and/or programming charges
- (j) The removal and reinstallation of Over-The-Range Microwave, Microwave Drawer or Steam Oven if it is installed in an inaccessible location or requiring removal of cupboards, handles or other cosmetic parts, or is not installed in accordance with installation instructions included with Product.

How to get service: Warranty service may be obtained upon delivery of the Product, together with proof of purchase (including date of purchase) and a copy of this limited warranty statement, to an authorized Sharp service centre or an authorized Sharp servicing dealer. In home warranty service will be carried out to locations accessible by on-road service vehicle and within 50 km of an authorized Sharp service centre on any Over-The-Range Microwave Oven, Microwave Drawer Oven or Steam Oven. The servicer may if necessary take the unit for repair at the servicer's facility. No other person (including any Sharp dealer or service centre) is authorized to extend, enlarge or transfer this warranty on behalf of Sharp. The purchaser will be responsible for any and all removal, reinstallation, transportation and insurance costs incurred with exception for Over-The-Range Microwave Oven, Microwave Drawer Oven or Steam Oven whereby Sharp will be responsible for the removal and reinstallation.

The express warranties in this limited warranty are, except for consumer purchasers domiciled in Quebec, in lieu of and, except to the extent prohibited by applicable law, Sharp disclaims all other warranties and conditions, express or implied, whether arising by law, statute, by course of dealing or usage of trade, including, without limitation, implied warranties or conditions of merchantability and/or quality, fitness for a particular use or purpose, and/or non-infringement. **Limitations** (not applicable to consumer purchasers domiciled in Quebec to the extent prohibited under Quebec law): (a) Sharp shall not be liable for any incidental, special, consequential, economic, exemplary or indirect damages of any kind or nature (including lost profits or damages for loss of time or loss of use or loss of data) arising from or in any connection with the use or performance of a Product or a failure of a Product, even if Sharp is aware of or has been advised of the possibility of such damages; (b) the remedies described in this limited warranty constitute complete fulfillment of all obligations and responsibilities of Sharp to the purchaser with respect to the Product and shall constitute full satisfaction of all claims, whether based on contract, negligence, strict liability or otherwise. Some provinces may not allow the exclusion or limitation of certain damages, or limits on the duration or voiding of implied warranties or conditions; in such provinces, the exclusions and limits herein may not apply. This limited warranty is, except for consumer purchasers domiciled in Quebec, governed by the laws of the Province in Canada in which the purchaser has purchased the Product. For consumer purchasers domiciled in Quebec this limited warranty is governed by the laws of Quebec.

WARRANTY PERIODS (calculated from the date of original purchase): Parts & Labour (exceptions noted)

Microwave Oven	1 year	(magnetron - 4 additional years)
Wall Oven + Microwave Drawer	1 year	(magnetron - 4 additional years)
Steam Oven	1 year	
Small Kitchen Appliances	1 year	
Air Purifiers	1 year	

To obtain the name and address of the nearest Authorized Sharp Service Centre or Dealer, or for more information on this Limited Warranty, Sharp Extended Warranty Offers, Sharp Canada Products or Accessory Sales, please contact Sharp:

- By writing to Sharp Electronics Of Canada Ltd. at 335 Britannia Road East Mississauga, Ontario L4Z 1W9
- Calling: at 905-568-7140
- Visiting our Web site: www.sharp.ca

THIS LIMITED WARRANTY IS VALID ONLY IN CANADA

YOUR SAFETY AND THE SAFETY OF OTHERS ARE VERY IMPORTANT.

We have provided many important safety messages in this manual and on your appliance. Always read and obey all safety messages.



This is the safety alert symbol.

This symbol alerts you to potential hazards that can kill or hurt you and others. All safety messages will follow the safety alert symbol and one of the following words: DANGER, WARNING or CAUTION.



An imminently hazardous situation. You could be killed or seriously injured if you don't immediately follow instructions.



A potentially hazardous situation which, if not avoided, could result in death or serious bodily injury.



A potentially hazardous situation which, if not avoided, may result in moderate or minor injury.

All safety messages will tell you what the potential hazard is, tell you how to reduce the chance of injury and tell you what can happen if the instructions are not followed.

State of California Proposition 65 Warnings:

WARNING: This product contains one or more chemicals known to the State of California to cause cancer.

WARNING: This product contains one or more chemicals known to the State of California to cause birth defects or other reproductive harm.

WARNINGS FOR ELECTRIC INSTALLATION

WARNING

ELECTRICAL SHOCK HAZARD



- Installation and service must be performed by a qualified installer or service agency.
- The model is powered at 240V.
- Always disconnect the power before servicing this unit.
- This appliance must be properly grounded.
- Failure to do so could result in death or serious injury.

IMPORTANT SAFETY INSTRUCTIONS

CAUTION FOR WIRELESS LAN

CAUTION FOR USAGE ABOUT WI-FI

- Operation cannot be guaranteed near Bluetooth® wireless communications devices using the same frequency (2.4 GHz) as this product or specified low power wireless devices. There may also be issues in locations with devices that emit a magnetic field, such as microwave ovens, as well as locations with static electricity or radio disturbance, all of which can interfere with the Wi-Fi signal.
- Wireless connection and performance cannot be guaranteed for all routers or housing environments. In the following places, it is possible the Wi-Fi cannot reach or is disconnected: inside of a building made with concrete, reinforced metal, near an obstruction (e.g., a wall) or near a wireless communications device using the same frequency.
- Wireless LAN of this product corresponds to channels 1-13. It is not available to communicate with routers set up to other channels.

CAUTION FOR PERSONAL INFORMATION (RELATED TO SECURITY)

- Using a wireless LAN device has the possibility of interception when using Wi-Fi, regardless of password setting.
- Depending on the location where you are connecting your oven, ensure you have the right/authority to connect the appliance to the available Wi-Fi network.
- If disposing of, giving away or selling the unit, be sure to Reset Wi-Fi Settings as described in this manual. The wireless LAN function of the unit should be initialized (reset) in case of handover to a third party to avoid illegal access from unauthorized parties.

MINIMUM REQUIREMENTS FOR WI-FI/ROUTER SPECIFICATIONS:

- IEEE 802.11 b/g/n compatible WLAN
- 72.2Mbps receive and transmit PHY rate using 20MHz bandwidth
- 150Mbps receive and transmit PHY rate using 40MHz bandwidth
- 802.11i (WPA, WPA2). Open, shared key, and pair-wise key authentication services
- Wi-Fi WPS support

IMPORTANT REGULATORY INFORMATION

⚠ CAUTION Any changes or modifications to the appliance not expressly approved by the party responsible for compliance could void the user's authority to operate the appliance.

NOTE: This equipment has been tested and found to comply with the limits for a Class B digital device, pursuant to Part 15 of the FCC Rules. These limits are designed to provide reasonable protection against harmful interference in a residential installation. This equipment generates, uses and can radiate radio frequency energy and, if not installed and used in accordance with the instructions, may cause harmful interference to radio

communications. However, there is no guarantee that interference will not occur in a particular installation. If this equipment does cause harmful interference to radio or television reception, which can be determined by turning the equipment off and on, the user is encouraged to try to correct the interference by one or more of the following measures:

- Reorient or relocate the receiving antenna.
- Increase the separation between the equipment and receiver.
- Connect the equipment to an outlet on a circuit different from that to which the receiver is connected.
- Consult the dealer or an experienced radio/TV technician for help.

SMART CONVECTION WALL OVEN WITH MICROWAVE DRAWER™ OVEN: MODEL # SWB3085HS

This device complies with Part 15 of the FCC Rules. Operation is subject to the following two conditions: (1) This device may not cause harmful interference, and (2) this device must accept any interference received, including interference that may cause undesired operation.

- Contains FCC: 2BABF-S21

RESPONSIBLE PARTY:

- Sharp Electronics Corporation
100 Paragon Drive, Montvale, NJ 07645
TEL: 1-800-BE-SHARP • www.sharpusa.com
- Sharp Electronics of Canada Ltd.
335 Britannia Road East Mississauga, Ontario L4Z 1W9
TEL: 877-278-6709 • www.sharp.ca

INFORMATION REGARDING EXPOSURE TO RADIO FREQUENCY ENERGY

The output power of the radio technology used in the appliance is below the radio frequency exposure limits set by the FCC. This appliance should be installed and operated with a minimum distance of 20 cm between the radiator and your body.

The appliance and the cord meet the FCC Radio Frequency Emission Guidelines and are certified with the FCC. Information on these products is on file with the FCC and can be found by inputting such product's FCC ID (which can be found on the regulatory label of the appliance) into the FCC ID Search from available at transition.fcc.gov/oet/ea/fccid.

Please follow all applicable e-waste laws for the disposal of your microwave oven.

IMPORTANT SAFETY INSTRUCTIONS

READ ALL INSTRUCTIONS BEFORE USING

IMPORTANT Read all instructions carefully before installation and operation. Keep this Operation Manual for future use. This appliance is manufactured in compliance with the relevant safety standard.

⚠ WARNING Failure to follow these warnings could result in a fire or explosion causing property damage, personal injury or death. To reduce the risk of fire, electric shock, exposure to excessive microwave energy or injury, use only as intended and take the following precautions.

PROPER INSTALLATION:

- 1 This appliance must be properly installed and electrically grounded by a qualified technician. Connect only to properly grounded outlet. See **GROUNDING INSTRUCTIONS** on page 11.
- 2 This appliance should be serviced only by a qualified service technician. Contact the nearest authorized service center for examination, repair or adjustment.
- 3 Do not repair or replace any part of the oven unless specifically recommended. Refer service to an authorized servicer.
- 4 Do not operate this appliance if it is not working properly or if it has been damaged.
- 5 Install or locate this appliance only in accordance with the Installation Instructions.
- 6 Use this oven only as intended by the manufacturer. If you have any questions, contact the manufacturer.
- 7 Do not cover or block any openings on this appliance.
- 8 Use this appliance only for its intended use as described in this manual. Do not use corrosive chemicals, vapors or nonfood products in this appliance. This type of oven is specifically designed to heat or cook. It is not designed for industrial or laboratory use. The use of corrosive chemicals in heating or cleaning will damage the appliance.

TO REDUCE THE RISK OF FIRE IN THE OVEN CAVITY:

- 1 Do not immerse the cord in water. Keep the cord away from heated surfaces.
- 2 To prevent accidents and achieve optimal ventilation, ensure sufficient space around the cooking area.
- 3 Do not store or use flammable or combustible materials, gasoline or other flammable vapors and liquids in the vicinity of this appliance.
- 4 Have the installer identify the location of the circuit breaker or fuse. Mark it for easy reference.

- 5 Do not use water on a grease fire. Smother fire or use a dry chemical or foam-type extinguisher.
- 6 It is highly recommended that a fire extinguisher be readily available and highly visible near any cooking appliance.
- 7 Do not overcook food. Carefully attend oven if paper, plastic or other combustible materials are placed inside the oven.
- 8 Do not use the cavity for storage purposes. Do not leave paper products, cooking utensils or food in the cavity when not being used.
- 9 If materials inside the oven should ignite, keep the oven door closed. Turn off the oven and disconnect the circuit at the circuit breaker box.
- 10 Be sure the blower fan runs whenever the oven is in operation. If the fan does not operate, do not use the oven. Call an authorized service center.
- 11 Never use the oven to warm or heat a room.
- 12 Remove wire twist-ties from paper or plastic bags before placing a bag in the oven cavity.

PERSONAL SAFETY:

- 1 Do not allow children to use this appliance unless closely supervised by an adult. Children and pets should not be left alone or unattended in the area where the appliance is in use. Never allow children to sit or stand on any part of the oven.
- 2 Do not store items of interest to children above the oven. If children should climb onto the appliance to reach these items, they could be seriously injured.
- 3 For personal safety, wear proper clothing. Loose fitting or garments with hanging sleeves should never be worn while using this appliance.
- 4 Tie long hair so that it doesn't hang loose.
- 5 Do not touch heating elements or interior surfaces of oven.
- 6 The heating elements may be hot even though they are dark in color. Interior surfaces of an oven become hot enough to cause burns.
- 7 During and after use, do not touch or let clothing or other flammable materials contact the heating elements or the interior surfaces of the oven until they have had sufficient time to cool.
- 8 The trim on the top and sides of the oven door may become hot enough to cause burns.

IMPORTANT SAFETY INSTRUCTIONS

- 9 Use care when opening the door. Open the door slightly to let hot air or steam escape before removing or replacing food.
- 10 Do not heat unopened food containers. Build-up of pressure may cause the container to burst and cause injury.
- 11 Always place oven racks in desired location while oven is cool. If a rack must be moved while the oven is hot, do not let potholders contact the hot heating elements.
- 12 Use only dry potholders. Moist or damp potholders on hot surfaces may result steam that can cause burns. Do not let potholders touch hot heating elements. Do not use a towel or other bulky cloth.
- 13 Liquids, such as water, coffee or tea, can be overheated beyond the boiling point without appearing to boil, due to surface tension of the liquid. Visible bubbling or boiling when the container is removed from the oven cavity is not always present. This could result in VERY HOT LIQUIDS suddenly boiling over when a spoon or other utensil is inserted into the liquid.

To reduce the risk of injury to persons when heating liquids:

- Do not overheat liquids.
- Stir liquids both before and halfway through heating.
- Do not use straight-sided containers with narrow necks. Use wide-mouthed containers.
- After heating allow the container to stand for at least 20 seconds before removing.
- Use extreme care when inserting a spoon or other utensil into liquids after heating.

SAFETY FOR THE SELF-CLEANING OVEN:

- 1 Before using the Oven Self-Clean feature, remove the broiler pan, oven racks (only when not made of porcelain), other utensils and excess soft spillage.
- 2 Confirm the door locks and will not open once both Self-Clean is initiated and the door lock icon appears. If the door does not lock, tap **CANCEL** and do not run Self-Clean. Call an authorized servicer.
- 3 Do not clean the door gasket. It is essential for a good seal. Care should be taken not to rub, damage, move or remove the door gasket.

- 4 Do not use commercial oven cleaners or oven liner protective coatings of any kind in or around any part of the oven.
- 5 Clean only oven parts listed in this manual.
- 6 Other surfaces of the appliance may become hot enough to cause burns, for example: oven vent openings and surfaces near these openings, oven doors and windows of oven doors.

FOOD SAFETY

Cook foods to safe temperatures recommended by the United States Department of Agriculture (USDA). To check internal temperature of foods to determine doneness, insert a meat thermometer in a thick or dense area away from fat or bone.

⚠ WARNING NEVER leave a thermometer in the food during microwave cooking unless the thermometer is approved for microwave use.

USDA RECOMMENDED TEMPERATURES

fish	145°F (63°C)
pork, ground beef/veal/lamb, egg dishes	160°F (71°C)
whole, pieces and ground turkey/chicken/ duck, leftover, ready-to-reheat refrigerated, deli and carry-out food	165°F (74°C)

NOTE:

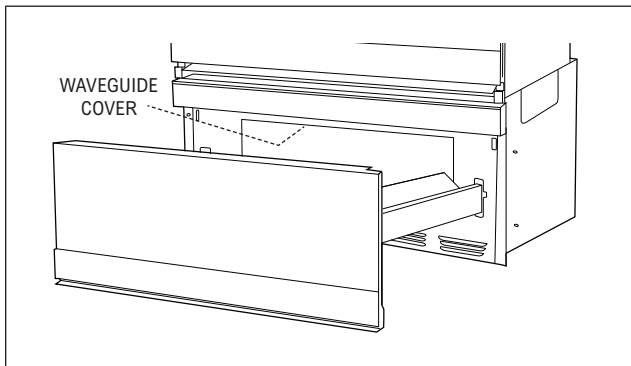
- ALWAYS use potholders to prevent burns when handling utensils in contact with hot food. Heat from the food can transfer through utensils to cause skin burns.
- Avoid steam burns by directing steam away from the face and hands. Slowly lift the farthest edge of a dish covering and carefully open cooking bags and popcorn bags away from the face.
- Stay near the appliance when it is in use and check progress frequently to avoid overcooking food.
- NEVER use the appliance for storing cookbooks or other items.
- Select, store and handle food carefully to preserve its high quality and minimize the spread of foodborne bacteria.
- Keep the waveguide cover clean, as food residue can cause arcing and fires. See WAVEGUIDE COVER on page 25.

READ AND SAVE THESE INSTRUCTIONS

UNPACK THE APPLIANCE

Remove all packing materials from inside the appliance. Remove the feature sticker, if there is one, from the outside of the appliance. Check the appliance for any damage, such as misaligned or bent drawer, damaged drawer seals and sealing surfaces, broken or loose drawer guides and dents inside the cavity or on the front side of the appliance. If there is any damage, do not operate the appliance and contact your dealer or a Sharp Authorized Servicer.

IMPORTANT: DO NOT REMOVE THE WAVEGUIDE COVER LOCATED ON THE TOP OF THE SHARP MICRO-WAVE DRAWER™.



BEFORE OPERATING

- Read and understand all instructions in this Operation Manual.
- Ensure the appliance is properly installed and connected to power according to all instructions in the included Installation Manual.
- Ensure all protective packaging materials and tape have been completely and correctly removed.

CONDITION OF UNIT

Do not operate any appliance with a damaged cord or after the appliance malfunctions or has been damaged in any manner. Return the appliance to the nearest authorized service facility for examination, repair or adjustment.

SERVICE AND REPAIR WARNING

Do not repair or replace any part of this appliance. If the display, oven or touch controls fail, consult a Sharp Authorized Servicer.

RADIO OR TV INTERFERENCE

If any interference to your radio or TV is caused by the Sharp appliance, check if the appliance is on a different electrical circuit, relocate the radio or TV as far away from the appliance as feasible or check position and signal of receiving antenna.

GROUNDING INSTRUCTIONS

This unit must be supplied with the proper voltage and frequency and connected to an individual, properly grounded branch circuit, protected by a circuit breaker or fuse having amperage as noted on the rating plate. A 208/240V AC, 60Hz, 3-wire or 4-wire, single-phase power supply must be used.

NOTE: Check local codes for required breaker size. All electrical wiring and hookup for this unit must be done by a qualified electrician. Make note of the location of the main appliance disconnect.

⚠ WARNING Improper use of the grounding plug can result in a risk of electric shock. Do not use an extension cord. If the power supply cord is too short, have a qualified electrician or serviceman install an outlet near the appliance.

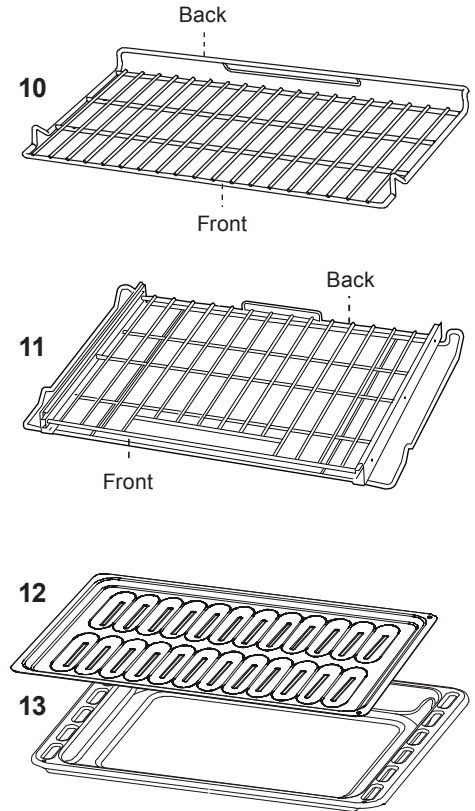
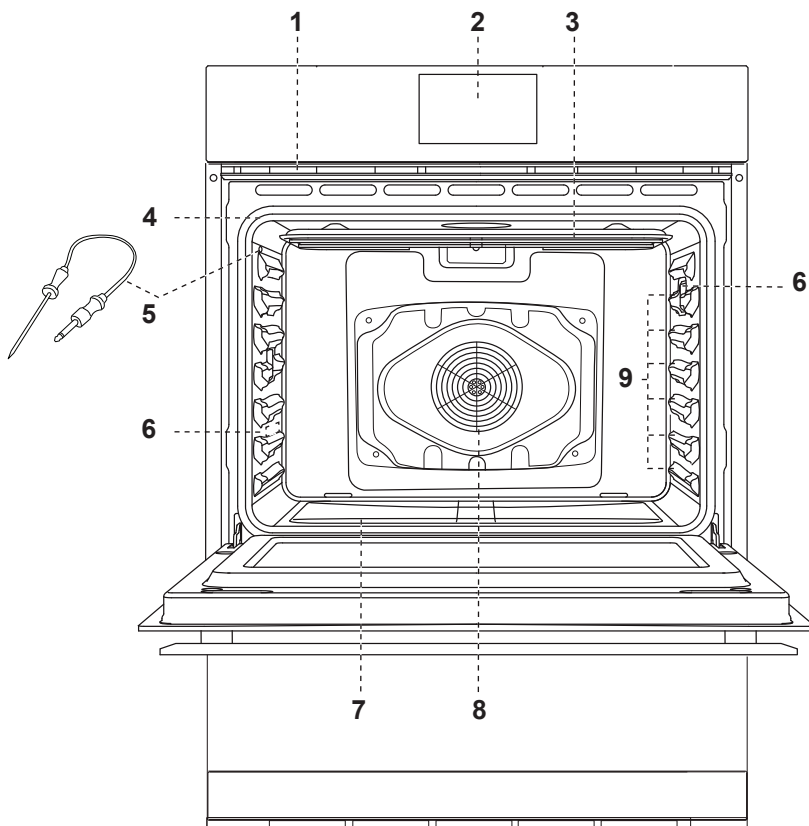
If you have any questions about the grounding or electrical instructions, consult a qualified electrician or service person.

PRODUCT DISPOSAL

This product may not be treated as household waste. To dispose of the appliance, deliver it to an applicable collection point for the recycling of electrical and electronic equipment. Dispose of this product correctly to prevent negative consequences for the environment and human health, which could otherwise be caused by inappropriate waste handling of this product. For more detailed information about recycling of this product, please contact your local city office, your household waste disposal service or the shop where you purchased the product.

PARTS AND FEATURES

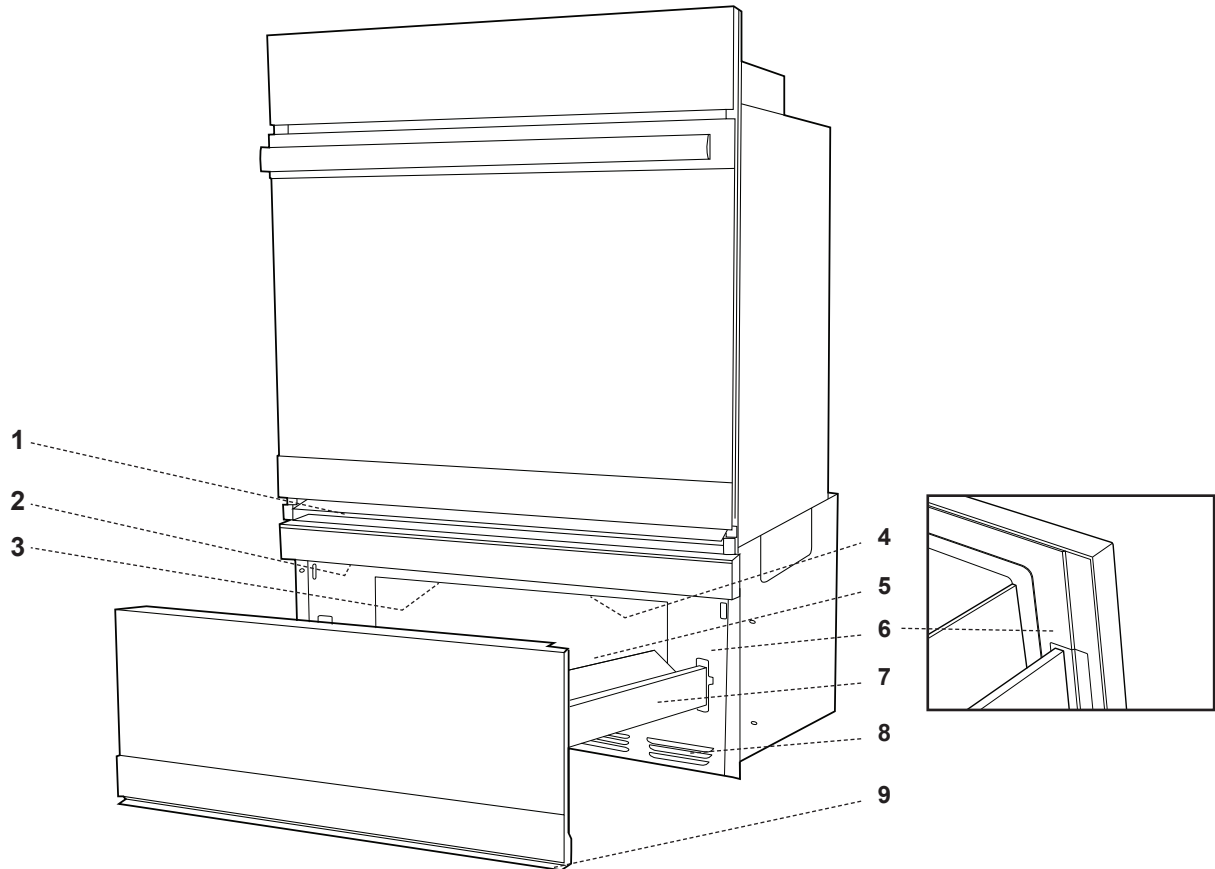
SWB3085HS – WALL OVEN



- 1 Oven Vent
- 2 Control Panel
- 3 Broil Element
- 4 Door Gasket
- 5 Meat Probe
- 6 Halogen Light
- 7 Bottom Element (not visible)
- 8 Convection Fan and Element
- 9 Rack Positions
(6 positions, see page 18)

- 10 Standard Oven Rack (2 racks)
- 11 Glide Rack (1 rack)
- 12 Broiler Pan Rack
- 13 Broiler Pan

SWB3085HS – SHARP MICROWAVE DRAWER™ OVEN



1 Oven Vent

2 Easy Wave Open Sensor

3 Waveguide Cover **DO NOT REMOVE**

4 Drawer Light

5 Nameplate

To view, open the drawer fully.

The label is beyond the back wall of the microwave cavity facing up from the flat surface.

6 Drawer Sealing Surfaces

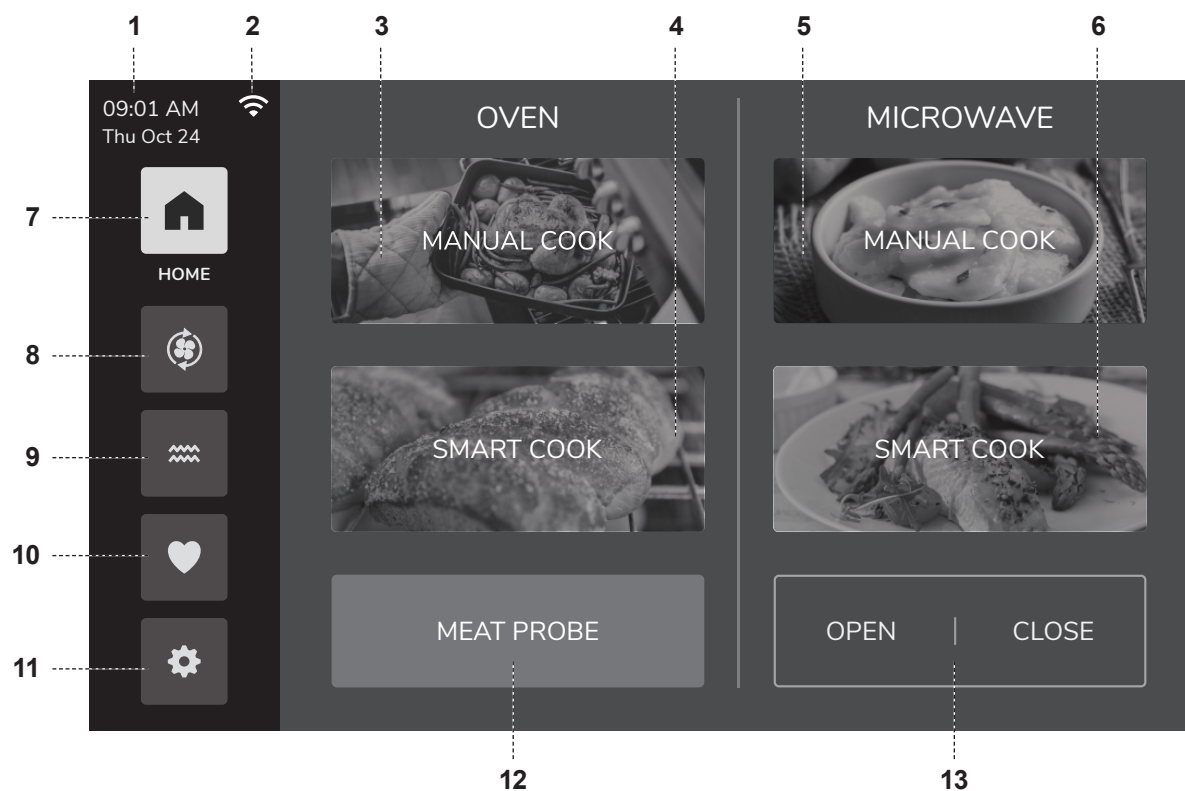
7 Microwave Drawer Guides

8 Microwave Drawer Vent

9 Built-In Flush Mount

TOUCH SCREEN CONTROL

HOME PAGE



- 1 Time & Date
- 2 Network Connectivity
- 3 UPPER OVEN MANUAL COOK
- 4 UPPER OVEN SMART COOK
- 5 LOWER MICROWAVE MANUAL COOK
- 6 LOWER MICROWAVE SMART COOK
- 7 HOME
- 8 UPPER OVEN
- 9 LOWER MICROWAVE OVEN
- 10 FAVORITES
- 11 SETTINGS
- 12 MEAT PROBE
- 13 OPEN/CLOSE LOWER MICROWAVE OVEN

HOME

The Home screen displays the states of cooking for single or dual appliance cooking. This screen displays:

- Progress information for the active appliance(s)
- Manual Cook Mode or Smart Cook Menu Item
- Power level and temperature

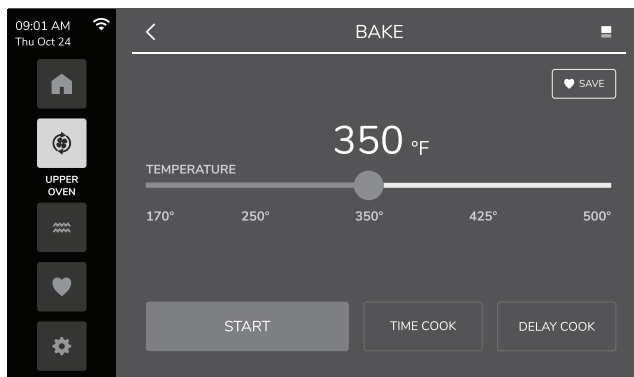
UPPER OVEN


UPPER OVEN MANUAL COOK

Select from seven manual cook modes:

- Bake
- Grill
- Warm
- Air Fry
- Convection Bake
- Convection Grill
- Convection Roast

After selecting an oven mode, a slider appears on the display for temperature selection. Once the temperature is selected, tap **START** to begin preheating immediately or tap **TIME COOK** or **DELAY COOK**.



TIP: You can save frequently used temperatures to your Favorites list by tapping .

UPPER OVEN TIME COOK

To set timed cooking, after which the oven will shut off, tap **TIME COOK**. This screen confirms the selected temperature and allows for time input.

You can set Delay Cook from the Time Cook screen.

UPPER OVEN DELAY COOK

To delay start of cooking, tap **DELAY COOK** and set the time of day you want cooking to start. Tap **SET** to accept settings.

⚠ WARNING Do not let food sit in oven for more than one hour before or after cooking. Doing so can result in risk of food poisoning or sickness.

PREHEAT AND ACTIVE COOKING

When preheating starts, the screen displays LOW until the minimum temperature of 170°F is reached. During preheating, the screen displays the current temperature until preheat is complete. For Time Cook settings, once preheat is complete, instructions to place food in the oven and tap **START** appear on the display.

The Active Cooking Screen displays the current temperature, cooking mode and timer.

MEAT PROBE

The Meat Probe is available in 3 cooking modes: Bake, Convection Bake and Convection Roast.

To use the meat probe, tap **MEAT PROBE**, set the desired internal food temperature and the oven interior temperature.

To view the internal temperature of the food during cooking, tap **MEAT PROBE** on the Home screen.

When the set internal temperature is reached, an audible alert will sound, a notification will appear on the display and the oven will stop heating.

UPPER OVEN SMART COOK

Use Smart Cook presets to cook any food items listed. Refer to the quantities for each food item.

Select from 12 food categories:

- Beef
- Breads
- Casseroles
- Desserts
- Fish/Seafood
- Pies
- Pizza
- Pork
- Potatoes
- Poultry
- Snacks
- Vegetables

Each food category has subcategories of different food items. For example, the subcategories of the Desserts section are: Brownies, Bundt Cake, Cookies and Layered Cake.

Select a food category and subcategory to start Smart Cooking. A detailed instruction page will appear.

TOUCH SCREEN CONTROL

LOWER MICROWAVE OVEN

LOWER MICROWAVE MANUAL COOK

To microwave cook manually, input cooking time and power level, then tap **START** to start cooking.

Tap **+30 SEC** for quick start or to add to timed cooking.

LOWER MICROWAVE SMART COOK

Use Smart Cook presets to cook any food items listed. Refer to the quantities for each food item.

Select from 12 food categories:

- Beverage/Hot Cereal
- Defrost
- Fish/Seafood
- Frozen Entree
- Ground Meat
- Melt
- Popcorn
- Potatoes
- Reheat
- Rice
- Soft/Warm
- Vegetables

Each food category has subcategories of different food items. For example, the subcategories of the Vegetables section are: Quick Fresh Vegetables, Longer Fresh Vegetables, Steamer Bags and Frozen Vegetables.

Select a food category and subcategory to start Smart Cooking. A detailed instruction page will appear, including a weight/amount slider for some food items.

SETTINGS

The Settings screen has eight options to select from:

KITCHEN TIMER

The timer can be set in hours, minutes or seconds for up to 12 hours. Scroll to set the time then tap **START**, and the timer will start. To pause the timer, tap **PAUSE**, and to restart the paused timer, tap **RESUME**. To cancel the timer, tap **CANCEL**, and either reset the time or tap **YES** to cancel and return to the home screen. When the timer reaches 00:00, an audible tone will sound. Tap **CLEAR** to return to the Kitchen Timer screen.

TEMPERATURE

The temperature unit can be changed between Fahrenheit and Celsius. The default oven calibration is 0° for all cooking modes. Select individual cooking modes to adjust the calibration. Tap **SAVE** to keep the settings.

OVEN SELF-CLEAN

To run a self-clean cycle in the Upper Oven, tap **OVEN SELF-CLEAN** and follow the instructions on the screen. A self-clean cycle can be 2, 3 or 3.5 hours, and the start of the cycle can be delayed to a scheduled time. During a self-clean cycle, the oven door is locked. If the self-clean cycle is canceled before the cycle is complete, the door will remain locked until the oven has cooled to a safe temperature.

CONTROL SETTINGS

MICROWAVE EASY-WAVE OPEN

The Easy Wave Open feature is OFF by default when the unit is first plugged in. When Control Lock is activated, Easy Wave Open is disabled.

CONTROL LOCK

The Control Lock prevents unwanted operation such as by small children. The Touch Screen Control can be set so the control panel and the automatic drawer mechanism are deactivated or locked.

DISPLAY SETTINGS

View this menu to set Standby Mode, adjust Screen Brightness, set the Date & Time or turn on Demo Mode.

SABBATH MODE

When in Sabbath mode, the oven operation may be controlled, however audible signals will not sound, the clock is disabled, oven lights are disabled and changes to the display may be delayed from 30 to 60 seconds. There is no need to remove oven light bulbs during Sabbath mode. The oven will be allowed to operate indefinitely until Sabbath mode is exited, overriding the factory 12-hour default maximum continuous oven operation.

SOUND

Select **SOUND** to adjust sound settings, including disabling sounds, disabling beeps at the end of timed cook, disabling end of cooking reminders and choosing a sound set.

WI-FI

Select **WI-FI** to enable Wi-Fi functionality for one or both ovens and pair one or both ovens to the Amazon Alexa app on a mobile device. Follow the instructions on the screen. Tap **Upper Oven Wi-Fi** or **Lower Microwave Wi-Fi** to enable remote control, view Wi-Fi information or reset the Wi-Fi.

SYSTEM INFO

Select **System Info** for the option to reset factory settings.

BEFORE USING THE OVEN

- 1 Select **Bake** cooking mode.
- 2 Set temperature to 500°F.
- 3 Allow the oven to operate for 30 minutes with the door closed and no food in the cavity.

NOTE: Any odor that may be detected during this initial use is due to the evaporation of substances used to protect the oven during storage.

- 4 Turn off the oven and allow it to cool.

GENERAL


IMPORTANT: Do not place anything, including dishes, foil and oven trays, on the bottom of the oven when it is in operation to avoid damaging the enamel.

- Place bakeware with food on one or both of the shelves provided with the oven.
- Preheat the oven when using the Bake, Convection Bake and Convection Roast modes.
- Selecting a higher temperature does not shorten the preheat time.
- Preheating is necessary for good results when baking cakes, cookies, pastry and breads.
- Preheating will help to sear roasts and seal in meat juices.
- Place oven racks in their proper position before preheating.
- Do not set pans on the open oven door.
- Use the interior oven lights to view the food through the oven door window rather than opening the door frequently.

MEAT PROBE

⚠ WARNING

BURN HAZARD



- Use an oven mitt to remove meat probe.
- Do not touch broil element.
- Failure to take precautions can result in burns.

The meat probe monitors the internal food temperature, which is frequently used as an indicator of doneness, especially for meats and poultry, and turns off the oven when the internal food temperature reaches the programmed temperature.

The meat probe will work with all oven modes except for the Warm/Proof, Sabbath and Self-Clean modes.

IMPORTANT: Always unplug and remove the meat probe from the oven when removing the food.

TO USE THE MEAT PROBE:

- 1 Insert the probe into the food.

NOTE: For meats, the probe tip should be inserted into the center of the thickest part of the meat. Make sure that the probe tip is not in fat or touching bone.
- 2 Place the food into the oven. Keeping the meat probe as far away from a heat source as possible, plug the meat probe into the oven outlet. Close the oven door.
- 3 Tap **MEAT PROBE**. Select the oven mode, enter the desired temperature and tap **START**.

UTENSILS

- Glass baking dishes absorb heat. Reduce oven temperature by 25°F when baking in glass.
- Use pans that produce the desired browning. The type of finish on the pan will help determine the amount of browning that will occur.
 - Shiny, smooth metal or light non-stick/anodized pans reflect heat, resulting in lighter, more delicate browning. Cakes and cookies require this type of utensil.
 - Dark, rough or dull pans will absorb heat resulting in a browner, crisper crust. Use this type for pies.
- Do not cook with the empty broiler pan in the oven, as this could affect cooking performance. Store the broil pan outside of the oven.

OVEN RACKS

IMPORTANT: To avoid permanent damage to the porcelain finish, place food or bakeware on an oven rack. Do not place food or bakeware directly onto the oven door or oven bottom.

- The oven racks can be placed in any of the six height positions with the oven.
- Position racks before turning on the oven.
- Make sure the oven racks are level.
- Oven racks have a stop to keep them from being unintentionally withdrawn fully.

TO REMOVE OVEN RACKS:

- Pull rack out to the stop position, raise the front edge, and then lift out.

TO REPLACE OVEN RACKS:

- Place oven rack on the wire supports along the sides of the oven. Tilt the front edge up slightly, and slide rack to the rear until it clears the stop position. Lower the front and slide the rack into the oven.

NOTE: The glide rack that comes with the oven is also available for individual sale. Please reference model # SKWR30A0FC in order to purchase additional glide racks.

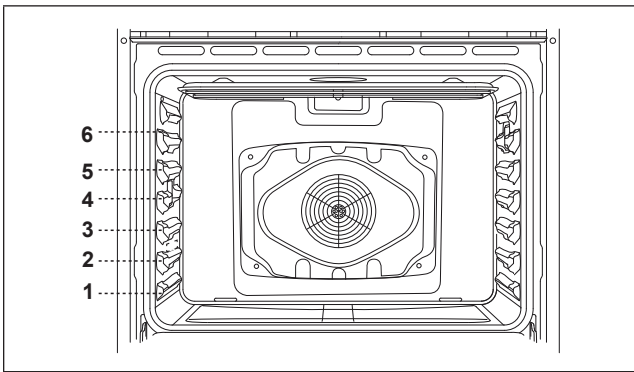
OVEN USE

COMPONENT COOLING FAN

The cooling fan activates during any cooking or self-cleaning mode to cool inner components and outer door surfaces. This air is exhausted through the vent located above the oven door. It continues to run until components have cooled sufficiently. The cooling fan operates at double speed (or RPM's) in self-clean and whenever the internal components temperature becomes high.

RACK POSITIONS

For best performance, adjust racks so food is positioned at the center of the oven. For most foods, the best rack position is the center position, the fourth from the bottom. For larger foods, such as roasts or turkeys, use a lower position. When broiling, food should be close to the broil burner in one of the top two rack positions. When using multiple racks simultaneously, space out the food around the oven center.



CONVECTION CONVERSION

CONVECTION CONVERSION can be used to convert from conventional cooking to convection cooking. This function will automatically convert the cooking temperature and cooking time to recommended cooking settings.

As a result, the cooking temperature is lower and the cooking time is shorter. Options that can be selected include Meats, Baked Goods or All Others.

NOTES:

- When using Convection Conversion, enter the normal cooking temperature and time.
- The oven door must be closed before setting Convection Conversion.

CONVECTION CONVERSION is located on the main screen of the Upper Oven section.

TO COOK WITH CONVECTION CONVERSION:

- 1 Select the cooking option (Meats, Baked Goods, or All Others).
- 2 Select the cook time and temperature. Press **START**.
- 3 Preheating will begin. Once the oven is preheated to the set temperature, the control will beep. Place the food in the oven and close the oven door. Press **START**.

- 4 At the end of the set cooking time, the oven will turn off automatically. The alert tone will sound, and *COOKING COMPLETE* will appear in the display.

- 5 Press **CANCEL** when finished and remove food from the oven.

OVEN DOOR

To avoid oven door glass breakage:

- Do not close the oven door if the racks are not fully inserted into the oven cavity or if bakeware extends past the front edge of an oven rack.
- Do not set objects on the glass surface of the oven door.
- Do not hit glass surfaces with bakeware or other objects.
- Do not wipe down glass surfaces until the oven has completely cooled.

OVEN VENTS

Blocking or covering the oven vents will cause poor air circulation, affecting cooking, cleaning and cooling results.

- Both the upper and lower oven vent(s) allow fresh air to enter the cooling system.
- The lower oven vent also allows hot air to be expelled from the cooling system.

OVEN CONDENSATION AND TEMPERATURE

- It is normal for a certain amount of moisture to evaporate from the food during any cooking process. The amount depends on the moisture content of the food.
- The moisture may condense on any surface cooler than the inside of the oven, such as the control panel.
- Your new oven has an electronic temperature sensor to help maintain an accurate temperature. Your previous oven may have had a mechanical thermostat that drifted gradually over time to a higher temperature. It is normal that you may need to adjust your favorite recipes when cooking in a new oven.

MICROWAVE DRAWER USE

GENERAL

ABSORB MICROWAVE ENERGY

When the microwave oven is in use, ALWAYS have food in the cavity to absorb the microwave energy. The microwave oven is for food preparation only. It should not be used to dry clothes or newspapers.

OPEN AND CLOSE CAREFULLY

When opening or closing the Sharp Microwave Drawer™ quickly, food in the oven may be spilled. See CLEANING AND CARE on page 25.

WARM EXTERIOR IS NORMAL

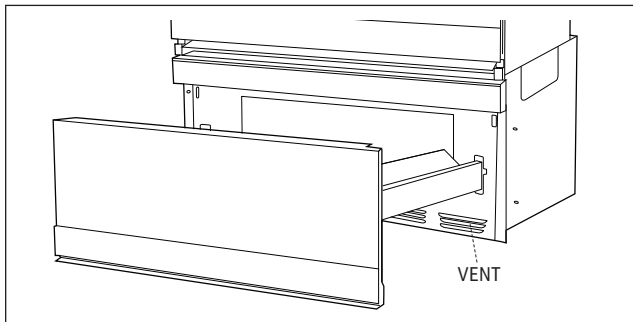
It is normal for the exterior of the oven to be warm to the touch when cooking or reheating.

CONDENSATION IS NORMAL

It is normal for microwave use to produce condensation, the amount of which is related to food moisture content and room humidity.

DO NOT BLOCK VENT

NEVER cover or obstruct the vent over and under the appliance. During microwave use, steam may come from the left side lower vent. Check the vent area after each use and wipe it down if needed.



MAGNETRON CYCLING IS NORMAL

The magnetron can be heard cycling on and off during microwave use with power levels below 100%.

POWER LEVEL

There are eleven preset power levels. Using lower power levels increases the required cooking time, which is recommended for foods such as cheese and milk and long, slow cooking of meats. Consult a microwave cookbook or recipes for specific recommendations.

POWER LEVEL CHART

To set the power level, scroll through levels from 0% power to 100% power.

POWER LEVEL	RECOMMENDED USE
100%	brown foods, boil liquids or cook fish, ground meats, bacon and vegetables
90%	
80%	
70%	cook meats and poultry gently, bake casseroles and convenience foods, sauté or reheat foods
60%	
50%	slow-cook or braise foods
40%	
30%	defrost foods, simmer liquids or cook delicate sauces
20%	
10%	heat breads or soften butter, cheese or chocolate
0%	

MICROWAVE COOKING

ARRANGE FOOD CAREFULLY

Place the thickest parts of the food toward the outside of the dish.

WATCH COOKING TIME

When following recipes or package instructions, check food for doneness a minute or two before the minimum time and add time as needed.

COVER FOODS WHILE COOKING

Covers prevent spattering and help foods cook evenly. Check cookbooks and recipes for cover suggestions, such as paper towels, wax paper, microwave-safe plastic wrap or lids. See MICROWAVE UTENSILS on page 20.

STIR FOODS REGULARLY

Stir foods once or twice during cooking. Whenever possible, stir from the outside to the center of the dish.

TURN OVER FOODS

Turn over foods such as chicken and hamburgers at least once during cooking to speed cooking. Large items like roasts must be turned over at least once.

REARRANGE FOODS

Rearrange foods such as meatballs halfway through cooking by moving pieces from top to bottom and from left to right.

ADD STANDING TIME

Standing time allows cooking to finish without overcooking food. After microwave cooking, remove food, stir if possible and cover for standing time.

MICROWAVE DRAWER USE

CHECK FOR DONENESS

Look for signs indicating the cooking temperature has been reached. Doneness signs include:

- food steams throughout, not just at edges
- center of the dish's underside is very hot to the touch
- poultry thigh joints move easily
- meat and poultry show no pinkness
- fish is opaque and flakes easily with a fork

Use a meat thermometer to check if foods are cooked to the safe temperature. See FOOD SAFETY on page 10.

MICROWAVE SAFETY

⚠ WARNING HOT CONTENTS CAN CAUSE SEVERE BURNS. DO NOT ALLOW CHILDREN TO USE THE MICROWAVE OVEN. Use caution when removing hot items. To avoid spills and burns, anyone using the appliance must be able to reach it comfortably. Anyone using the microwave oven can do so safely if they understand and take safety precautions, including the following.

ALWAYS USE POTHOLDERS

Use potholders to prevent burns when handling utensils in contact with hot food. Enough heat from the food can transfer through utensils to cause skin burns.

AVOID STEAM BURNS

Direct steam away from the face and hands. Slowly lift the farthest edge of a dish covering and carefully open cooking bags and popcorn bags away from the face.

MONITOR COOKING

Stay near the appliance when it is in use and check progress frequently to avoid overcooking food.

HANDLE FOOD CAREFULLY

Select, store and handle food carefully to preserve its high quality and minimize the spread of foodborne bacteria.

NOT FOR STORAGE

NEVER use any oven or microwave oven for storing cookbooks or other items.

MICROWAVE UTENSILS

UTENSILS

It is not necessary to buy all new cookware for microwave cooking. Many pieces already in your kitchen can be used successfully in the Sharp Microwave Drawer™ Oven.

To check if a dish is safe for microwave use, place the empty dish in the Sharp Microwave Drawer™ Oven and microwave on HIGH for 30 seconds. A dish that becomes very hot is not suitable for microwave cooking.

SAFE UTENSILS	DO NOT USE
<ul style="list-style-type: none"> • glass-ceramic • heat-resistant glass • microwave-safe plastics • microwave-safe paper plates • microwave-safe pottery, stoneware and porcelain • browning dish* • wood, straw and wicker† 	<ul style="list-style-type: none"> • metal pans and bakeware • dishes with metallic trim • non-heat-resistant glass • non-microwave-safe plastics • recycled paper products • brown paper bags • food storage bags • metal twist-ties • aluminum foil
<p>* IMPORTANT Do not exceed recommended preheating time for browning dish.</p>	
<p>† IMPORTANT Cook only foods with low fat and sugar contents in wood, straw and wicker.</p>	

MICROWAVE COVERINGS

Use covers to prevent spattering and help foods cook evenly. There are several different coverings to suit unique needs. Microwave-safe lids keep heat close to the food, hastening cooking. Oven cooking bags can be used for tenderizing large meats. Check cookbooks and recipes for more covering suggestions.

SAFE COVERINGS	DO NOT USE
<ul style="list-style-type: none"> • paper towels • wax paper • microwave-safe plastic wrap* • microwave-safe lids • oven cooking bags 	<ul style="list-style-type: none"> • recycled paper towels • non-microwave-safe plastic wrap • metal lids or lids with metal trim • twist-ties on oven bags
<p>* IMPORTANT Vent plastic wrap and oven cooking bags so steam can escape. Do not allow plastic wrap to touch food.</p>	

ACCESSORIES

There are many microwave accessories available for purchase. Before buying accessories, evaluate carefully if they suit your needs. A microwave-safe thermometer indicates whether foods have been cooked to safe temperatures. Sharp is not responsible for any damage to the appliance when accessories are used.

FOR MORE RECOMMENDATIONS

A good microwave cookbook can provide microwave cooking principles, techniques, hints and recipes.

MICROWAVE DRAWER USE

FOOD IN THE MICROWAVE

FOODS	DO	DO NOT
eggs, sausages, fruits and vegetables	<ul style="list-style-type: none"> • Puncture egg yolks before cooking to prevent bursting. • Pierce skins of potatoes, apples, squash, hot dogs and sausages so steam escapes. 	<ul style="list-style-type: none"> • DO NOT cook eggs in shells. • DO NOT reheat whole eggs. • DO NOT dry nuts or seeds in shells.
popcorn	<ul style="list-style-type: none"> • Use popcorn specially packaged for microwave cooking. • Listen for the popping of corn to slow to 1 or 2 seconds between pops to avoid overcooking. 	<ul style="list-style-type: none"> • DO NOT pop corn in regular brown paper bags or glass bowls. • DO NOT exceed the maximum cooking time listed in the package instructions.
baby food	<ul style="list-style-type: none"> • Transfer baby food to a small dish and heat carefully, stirring often. • Check temperature before serving. Test temperature of bottles on your wrist before serving. • Attach nipples to bottles AFTER heating. Shake well before serving. 	<ul style="list-style-type: none"> • DO NOT heat disposable bottles. • DO NOT heat bottles with nipples attached. • DO NOT heat baby food in original jars.
general	<ul style="list-style-type: none"> • Cut filled baked goods after heating to release steam. • Stir liquids briskly before and after heating to avoid eruption. • Use a deep bowl when cooking liquids and cereals to prevent boil-overs. Refer to the height of the side walls of the Sharp Microwave Drawer™ Oven. 	<ul style="list-style-type: none"> • DO NOT heat or cook in closed glass jars or airtight containers. • DO NOT use the microwave for canning, as harmful bacteria may not be destroyed. • DO NOT deep-fat fry in the microwave. • DO NOT dry wood, gourds, herbs or wet papers.

CLEANING AND CARE

OVEN GENERAL CLEANING

IMPORTANT: Before cleaning, make sure all controls are off and the oven is cool. Always follow the instructions printed on the label of the cleaning products.

CLEANING METHODS

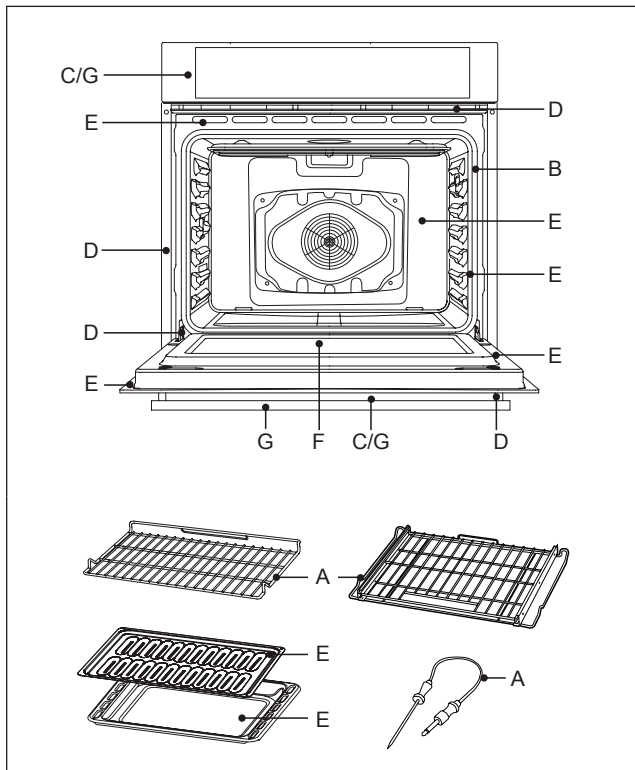
The entire oven can be safely cleaned with a soapy sponge, rinsed and dried. If stubborn soil remains, follow the recommended cleaning methods below.

- Always use the mildest cleaner that will do the job.
- Rub metal finishes in the direction of the grain.
- Use clean, soft cloths, sponges or paper towels.
- Rinse thoroughly with a minimum of water so it does not drip into door slots.
- Dry to avoid water marks.

Always lock the Touch Screen Controls before cleaning the control panel. Turn on Control Lock from the Settings menu. The cleaners listed below indicate types of products to use and are not being endorsed. Use all products according to package directions.

OVEN PARTS

The OVEN PARTS chart below indicates which cleaning method to use. Refer to the CLEANING METHODS chart.




CLEANING METHODS

MATERIAL	CLEANING METHOD
A Chrome Plated	Wash with hot sudsy water. Rinse thoroughly and dry. Or, gently rub with Soft Scrub®, Bon-Ami®, Comet®, Ajax®, Brillo® or S.O.S.® pads as directed. Easy Off® or Dow® Oven Cleaners (cold oven formula) can be used, but may cause darkening and discoloration.
B Fiberglass Knit	DO NOT HAND CLEAN GASKET.
C Glass	Spray Windex® or Glass Plus® onto a cloth first, then wipe to clean. Use Fantastik® or Formula 409® to remove grease spatters.
D Painted	Clean with hot sudsy water or apply Fantastik® or Formula 409® first to a clean sponge or paper towel and wipe clean. Avoid using powdered cleansers and steel wool pads.
E Porcelain	Immediately wipe up acidic spills like fruit juice, milk and tomatoes with a dry towel. Do not use a moistened sponge/towel on hot porcelain. When cool, clean with hot sudsy water or apply Bon-Ami® or Soft Scrub® to a damp sponge. Rinse and dry. For stubborn stains, gently use Brillo® or S.O.S.® pads. It is normal for porcelain to craze (fine lines) with age due to exposure from heat and food soil.
F Reflective Glass	Clean with hot sudsy water and sponge or plastic scrubber. Rub stubborn stains with vinegar, Windex®, ammonia or Bon-Ami®. DO NOT USE HARSH ABRASIVES.
G Stainless	Always wipe or rub with grain. Clean with a soapy sponge then rinse and dry. Or, wipe with Fantastik® or Formula 409® sprayed onto a paper towel. Protect and polish with Stainless Steel Magic® and a soft cloth. Remove water spots with a cloth dampened with white vinegar. Use Zud®, Cameo®, Bar Keeper's Friend® or RevereWare Stainless Steel Cleaner® to remove heat discoloration.

AUTOMATIC SELF-CLEANING

⚠ WARNING

BURN HAZARD

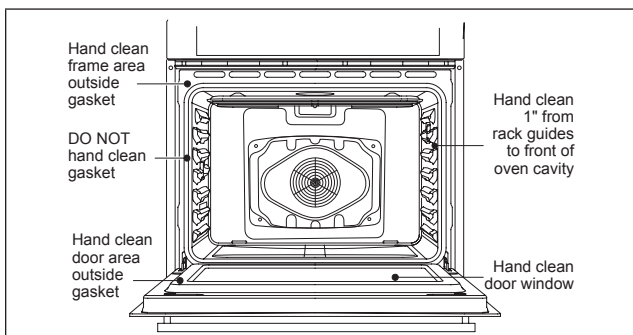


- Do not touch the oven during the Self-Clean cycle.
- Keep children away from oven during Self-Clean cycle.
- Failure to take precautions can result in burns.

This oven features a self-cleaning function that eliminates the need to manually scrub the oven interior. During a Self-Clean cycle, the oven uses very high temperatures, burning soil to a powdery ash.

IMPORTANT: The health of some birds is extremely sensitive to the fumes given off during the Self-Clean cycle. Exposure to the fumes may result in death to certain birds. Always move birds to another closed and well-ventilated room.

- Keep the kitchen well ventilated during the Self-Clean cycle to help get rid of heat, odors and smoke.
- It is common to see smoke and/or an occasional flame-up during the Self-Clean cycle, depending on the content and amount of soil remaining in the oven. If a flame persists, turn off the oven and allow it to cool before opening the door to wipe up the excessive food soil.
- Do not block the oven vent(s) during the Self-Clean cycle. Air must be able to move freely.
- Do not clean, rub, damage or move the oven door gasket.
- The door latch is automatically activated after selecting the Self-Clean cycle. This ensures the oven door cannot be opened while the oven interior is at clean temperatures.
- Suggested clean times are 2 hours for light soil and between 3.0 hours and 3.5 hours for average to heavy soil.
- The Self-Clean cycle stops automatically at the end of the set cleaning time.
- When the oven heat drops to a safe temperature, the automatic door lock will release and the door can be opened.
- The oven light does not operate during a Self-Clean cycle.
- Remove racks before running a Self-Clean cycle. Racks left in during a Self-Clean cycle will lose their shiny finish and permanently change to a metallic gray.



SELF-CLEAN CYCLE

A minimum 24-hour wait is recommended between cleaning cycles.

TO SELF-CLEAN:

Open the **SETTINGS** menu and tap **Oven Self-Clean**. Follow the instructions on the screen.

OVEN DOOR REMOVAL

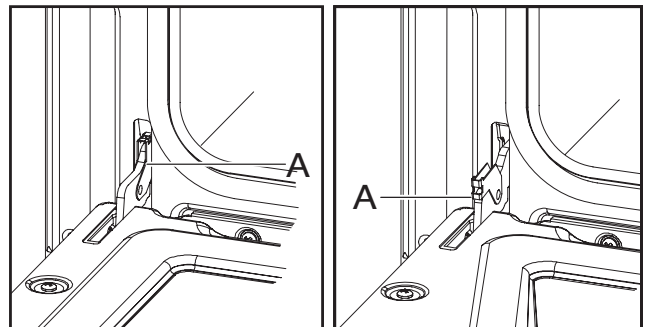
For normal oven use, there is no need to remove the oven door. However, should it become necessary to remove the door, follow the instructions in this section.

IMPORTANT:

- Make sure oven is cool and that power to the oven has been turned off before removing the door.
- The oven door is heavy and fragile, and the door front is glass. To avoid oven door glass breakage, use both hands, and grasp only the sides of the oven door to remove. Do not grasp the handle.
- Be sure both levers are securely in place before removing the door.
- Do not force the door open or closed.

TO REMOVE THE OVEN DOOR:

- 1 Open the door completely.
- 2 Flip up the hinge latch on each side.



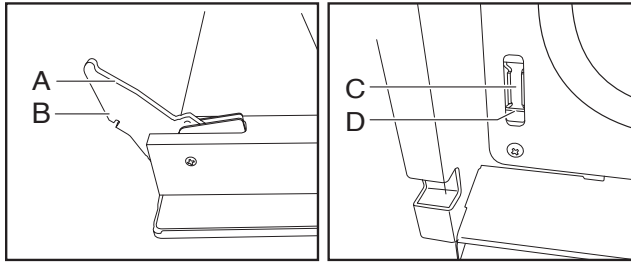
A - Hinge Bracket

- 3 Holding the door firmly, close the oven door completely.
- 4 Grasping both sides, lift up on the oven door while pushing it closed, and then pull it away from the door frame.
- 5 Place the door in a protected location.

CLEANING AND CARE

TO REPLACE THE OVEN DOOR:

- 1 Holding the door firmly, insert the upper arms of both hinges into the slots. The recesses must hook on the lips.



A - Upper Arm
B - Recess

C - Slots
D - Lip

- 2 Open the oven door.

NOTE: You should hear a “click” sound when the door is correctly in place.

- 3 Move the hinge latch on each side back into the locked position.
- 4 Open and close the door to test that it operates freely. If it does not, repeat the door removal and replacement process.
- 5 Close and open the door slowly to assure that it is correctly and securely in place.

REPLACING AN OVEN LIGHT

⚠ WARNING



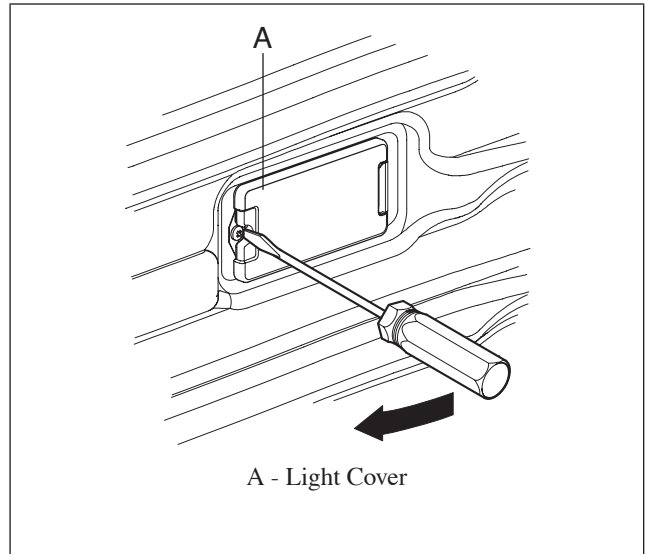
ELECTRICAL SHOCK HAZARD

- Make sure the oven and lights are cool and power to the oven has been turned off before replacing the light bulb(s).
- The lenses must be in place when using the oven. The lenses serve to protect the light bulb from breaking.
- The lenses are made of glass. Handle carefully to avoid breakage.
- Failure to do so could result in death, electric shock, cuts or burns.

The oven light is a standard 25 watt (G9) appliance bulb.

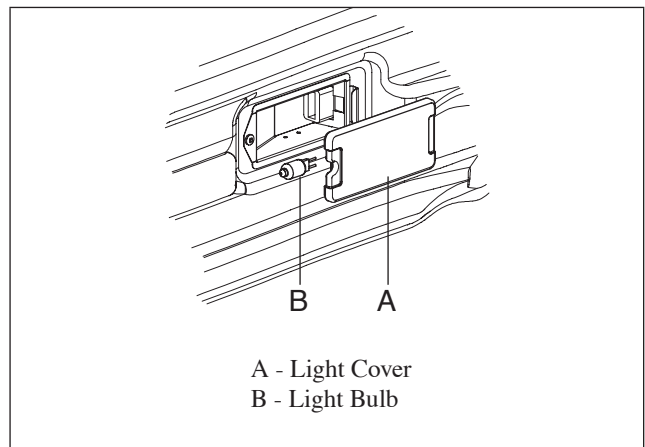
- 1 Disconnect power at the main power supply (fuse or breaker box).

- 2 Using a Phillips-head screwdriver, remove the screw and remove the cover.



A - Light Cover

- 3 Remove the burned out bulb from the socket.



A - Light Cover
B - Light Bulb

NOTE: To avoid damage or decreasing the life of the new bulb, do not touch bulb with bare fingers. Wear cotton gloves or use a tissue when replacing the light bulb.

- 4 Replace the bulb and replace the bulb cover.
- 5 Reconnect power at the main power supply (fuse or breaker box).

MICROWAVE OVEN CARE

EXTERIOR

The outside surface is precoated metal and plastic. Clean the outside with mild soap and water, then rinse and dry with a soft cloth. Do not use any type of household or abrasive cleaner.

STAINLESS STEEL SURFACE

The exterior should be wiped often with a damp soft cloth and polished with a dry soft cloth to maintain its beauty. There is also a variety of products designed especially for cleaning and shining the stainless exterior of the oven. We recommend the cleaner be applied to a soft cloth and then carefully used on the stainless exterior rather than sprayed directly on to it. Follow package directions carefully.

FRONT SIDE OF THE DRAWER

Wipe the window on both sides with a damp soft cloth to remove any spills or splatters. Metal parts will be easier to maintain if wiped frequently with a damp soft cloth. Avoid the use of spray and other harsh cleaners, as they may stain, streak or dull the drawer surface.

TOUCH SCREEN CONTROL

Wipe the panel with a soft cloth slightly dampened with water only, then wipe dry with a dry soft cloth. Do not scrub or use any sort of chemical cleaners.

INTERIOR

Cleaning the interior is easy because no heat is generated to interior surfaces, thus there is no baking and setting of spills or spattering. To prevent the drawer closing and opening during cleaning, lock the control panel.

To clean interior surfaces, including drawer sealing surfaces, wipe with a damp soft cloth. For heavier soil, use mild soap and wipe clean with a damp soft cloth.

IMPORTANT: DO NOT USE ABRASIVE OR HARSH CLEANERS, CHEMICAL OVEN CLEANERS OR SCOURING PADS.

DRAWER GUIDES

Remove the food crumbs from the drawer guides. Wipe with a dry soft cloth keep the Sharp Microwave Drawer™ Oven opening and closing smoothly.

WAVEGUIDE COVER

ATTENTION: The waveguide cover, located on the inside top of the Sharp Microwave Drawer™ Oven area, is made from mica, so it requires special care. Keep the waveguide cover clean to assure good microwave performance. Use a damp soft cloth to carefully wipe any food splatters from the surface of the cover immediately after they occur. Built-up splashes may overheat and cause smoke or catch fire. Do not remove the waveguide cover.

ODOR REMOVAL

Occasionally, a cooking odor may remain in the oven drawer. To remove odor, combine 1 cup water, grated peel and juice of one lemon and several whole cloves in a 2-cup glass microwave-safe measuring cup. Boil for several minutes using 100% power. Leave in the Microwave Drawer™ Oven until water cools. Wipe interior with a soft cloth.

TROUBLESHOOTING

OPERATION

PROBLEM	POSSIBLE CAUSE	SOLUTION
The oven display does not illuminate		Turn off power at the main power supply (fuse or breaker box). Turn breaker back on. If condition persists, call an authorized service center.
Cooling fan continues to run after oven is turned off	The oven components have not cooled sufficiently	The fan turns off automatically when the electronic components have cooled sufficiently.
Oven door is locked and will not release, even after cooling		Turn the oven off at the circuit breaker and wait a few seconds. Turn breaker back on. The oven should reset itself and will be operable.
Oven is not heating	No power going to the oven	Turn on power at the main power supply (fuse or circuit breaker box). If condition persists, call a qualified electrician.
	Oven Mode or Temperature not selected	Press cooking option on keypad to select the oven mode and temperature.
Oven is not cooking evenly	Oven rack is not in correct position	Refer to cook charts starting on page 18 for recommended rack position.
	Convection Bake Mode	Always reduce recipe temperature by 25°F when baking with Convection Bake mode.
Oven light is not working properly	Light bulb is loose or burned out	Replace or reinsert the light bulb if loose or defective. Touching the bulb with fingers may cause the bulb to burn out.
Oven light stays on	Oven door does not close completely	Check for obstruction in oven door. Check to see if hinge is bent or door switch is broken.
Cannot remove lens cover on light	Lens cover is dirty	There may be a soil build-up around the lens cover. Wipe lens cover area with a clean dry towel prior to attempting to remove the lens cover.
Oven will not Self-Clean properly	Oven was still warm when Cleaning mode was selected	Allow the oven to cool before running Self-Clean cycle.
	Oven is heavily soiled	Always wipe out loose soils or heavy spillover before running Self-Clean cycle. See OVEN PARTS/CLEANING METHODS on page 22.
		If oven is badly soiled, set oven for a 4-hour Self-Clean cycle.
Clock and timer are not working properly	No power going to the oven	Turn on power at the main power supply. If the problem persists, call an authorized service center.
	Clock or Timer not set correctly	See KITCHEN TIMER or DISPLAY SETTINGS on page 16.
Excessive moisture	Oven was not properly preheated	When using bake mode, preheat the oven first. Convection Bake and Convection Roast will eliminate any moisture in oven (one of the advantages of convection).
Porcelain chips	Oven racks removed and replaced incorrectly	When oven racks are removed and replaced, always tilt racks upward and do not force them to avoid chipping the porcelain.

TROUBLESHOOTING

PROBLEM	POSSIBLE CAUSE	SOLUTION
Part or all of the appliance does not operate.	Power cord is not completely connected to the electrical outlet.	Make sure the power cord is tightly connected to the outlet.
	Power outage.	Check house lights to be sure. Call your local electric company for service.
	Fuse/circuit breaker at home doesn't work.	Replace the fuse or reset the circuit breaker.
	Oven is in Demo Mode.	Press + hold display for 3 seconds to turn off Demo Mode.
Food is not heated.	No power to the appliance.	Check for power connection/outage.
	Drawer controls improperly set.	Check if the controls have been properly set.
Oven light does not work.	Light bulb is loose or burned out.	Call for service.
Touch controls will not operate.	Control Lock is on.	Press + hold display for 3 seconds to turn off Control lock.
Steam from the vent	During microwaving, steam may come from the right side of the vent.	This is normal.

TROUBLESHOOTING

ERROR DISPLAY AND CONDITIONS

LOWER MICROWAVE				
ERROR NO.	ERROR	DISPLAY/CIRCLE	SOUND	CONDITIONS
EC-001	Sensor error	Red + No Blink	BUZZER (beep ×10)	Occurs when Sensor cooking is interrupted.
EC-002	Communication error	Red + No Blink		Hardware error (DISP<=>Drawer). Errors can be displayed during heating and when the OPEN/CLOSE key is pushed.
UPPER OVEN				
ERROR NO.	ERROR	CIRCLE	SOUND	CONDITIONS
EC-003 (Required to check the log data on the cloud.)	Oven TH short	–	–	When the temperature inside the OVEN is too high, the heater turns off. This error can also occur when the thermistor has failed and misidentification that the temperature is high when it is not. The heater stays OFF all the time, so the food is not heated.
EC-004	Oven TH open	Red + No Blink	BUZZER (beep ×10)	The oven may mistakenly judge that the temperature is low and the heater turns on all the time.
EC-005	Meat Probe short	Red + No Blink		Occurs when the temperature of the meat probe becomes too hot. (Possible reason: The probe was Preheated without inserting into food/The Probe broken/etc.) You can see that the meat probe is broken or not inserted well into the food.
EC-006	Meat Probe open	Red + No Blink		Occurs when the meat probe is not set in the oven or if the meat probe detaches from the OVEN during heating.
EC-007	Door lock error (during locking and unlocking)	Red + No Blink		Occurs when self-clean is started and the door is unable to lock. The oven keeps waiting until the door is locked. (The heating will not start until it is locked.)
EC-008	Power Board Failure	Red + No Blink		The oven is out of order. (Power board failure)
EC-009	Communication error	Red + No Blink		Hardware error (OVEN) Errors can be displayed during heating.
EC-010	ACK hardware error (Drawer)	Red + No Blink	BUZZER (beep ×10)	Hardware error (ACK of Drawer). Error judgment is performed when Wi-Fi is turned on, if there is a hardware error, this error message is shown.
EC-011	ACK hardware error (Oven)	Red + No Blink		Hardware error (ACK of Oven). Error judgment is performed when Wi-Fi is turned on, if there is a hardware error, this error message is shown.

SHARP®

SHARP ELECTRONICS CORPORATION

100 Paragon Drive • Montvale, New Jersey 07645 • 1-800-BE-SHARP (237-4277)

SHARP ELECTRONICS OF CANADA LTD.

335 Britannia Road East Mississauga • Ontario L4Z 1W9 • 877-278-6709

FOUR MURAL INTELLIGENT À CONVECTION DE SHARP AVEC FOUR MICRO-ONDES TIROIR MICROWAVE DRAWER™

MODÈLE SWB3085HS



INSTRUCTIONS DE SÉCURITÉ IMPORTANTE

Lire attentivement les informations importantes concernant l'installation, la sécurité et l'entretien.
Conserver ces instructions pour consultation ultérieure.

TABLE DES MATIÈRES

PRÉCAUTIONS POUR ÉVITER UNE POSSIBLE EXPOSITION EXCESSIVE À L'ÉNERGIE DES MICRO-ONDES	2
ASSISTANCE À LA CLIENTÈLE (CANADA SEULEMENT)	3
GARANTIE LIMITÉE	4
SÉCURITÉ DU FOUR	5
INSTRUCTIONS DE SÉCURITÉ IMPORTANTE	6-9
INSTRUCTIONS IMPORTANTES	10
DÉBALLAGE DE L'APPAREIL	10
AVANT L'UTILISATION	10
CONDITION DE L'UNITÉ	10
AVERTISSEMENT CONCERNANT LE SERVICE ET LA RÉPARATION	10
INTERFÉRENCE RADIO OU TÉLÉVISION.....	10
INSTRUCTIONS POUR LA MISE À LA TERRE.....	10
MISE AU REBUT DU PRODUIT.....	10
PIÈCES ET FONCTIONNALITÉS	11-12
COMMANDES DE L'ÉCRAN TACTILE	13-15
HOME (ACCUEIL)	14
FOUR SUPÉRIEUR	14
FOUR À MICRO-ONDES INFÉRIEUR	15
RÉGLAGES	15
UTILISATION DU FOUR	16-17
AVANT D'UTILISER LE FOUR.....	16
GÉNÉRAL	16
UTILISATION DU FOUR MICRO-ONDES TIROIR	18-20
GÉNÉRAL	18
NIVEAU DE PUISSANCE.....	18
CUISSON AU MICRO-ONDES.....	18
SÉCURITÉ AVEC LE MICRO-ONDES.....	19
USTENSILES POUR LE MICRO-ONDES	19
NETTOYAGE ET ENTRETIEN	21-24
NETTOYAGE GÉNÉRAL DU FOUR.....	21
AUTONETTOYAGE AUTOMATIQUE.....	22
ENLÈVEMENT DE LA PORTE DU FOUR.....	22
REPLACEMENT DE LA LUMIÈRE DU FOUR	23
ENTRETIEN DU FOUR À MICRO-ONDES	24
DÉPANNAGE	25
UTILISATION.....	25
AFFICHAGE D'ERREURS ET CONDITIONS	27

PRÉCAUTIONS POUR ÉVITER UNE POSSIBLE EXPOSITION EXCESSIVE À L'ÉNERGIE DES MICRO-ONDES

- (a) Ne pas essayer pas de faire fonctionner ce four avec la porte ouverte, car le fonctionnement la porte ouverte peut entraîner une exposition dangereuse à l'énergie des micro-ondes. Il est important de ne pas contourner ou trafiquer les dispositifs de sécurité
- (b) Ne placer aucun objet entre la partie avant et la porte du four et ne pas laisser s'accumuler de saleté ou de résidus de nettoyant sur les surfaces d'étanchéité.
- (c) Ne pas utiliser le four s'il est endommagé. Il est particulièrement important que la porte du four soit fermée correctement et qu'il n'y ait pas de dommage aux éléments suivants : (1) la porte (courbée), (2) les charnières et les loquets (brisées ou desserrées), (3) le joint d'étanchéité de la porte et les surfaces d'étanchéité.
- (d) Le four doit être ajusté ou réparé uniquement par du personnel de service qualifié.

ASSISTANCE À LA CLIENTÈLE CANADA SEULEMENT

Pour nous aider à répondre aux questions lorsque vous appelez pour obtenir du service ou signaler une perte ou un vol, utilisez l'espace ci-dessous pour consigner le modèle et le numéro de série situés derrière l'appareil.

Numéro de modèle : _____

Numéro de série : _____

Date d'achat : _____

Nom du détaillant : _____

Adresse : _____

Ville : _____

Province : _____

Code postal : _____

Téléphone : _____

SOUTIEN TECHNIQUE

Si vous avez des questions au sujet de la configuration ou du fonctionnement de votre produit, veuillez consulter la section pertinente dans ce manuel.

Vous pouvez également visiter le www.sharp.ca pour accéder à du contenu exclusif sur votre produit, notamment pour :

- Trouver un détaillant
- Trouver des points de service
- Télécharger notamment le Guide d'installation, la Fiche technique et le Manuel de l'utilisateur

CONTACTEZ-NOUS

Si, à tout moment, vous avez des questions ou commentaires concernant votre produit SHARP, veuillez contacter le Centre d'assistance à la clientèle SHARP. Nous pouvons vous fournir de l'assistance par divers moyens de communication, pour mieux vous servir :



COURRIEL

Tous les jours, 24 heures sur 24

Consultez la section Contactez-nous sur notre site.

<https://sharp.ca/contact-sharp>



SITE DE SOUTIEN

Téléchargements de produits, Localisateur de service, Où acheter, Programme de recyclage de toner et plus encore.

CA | www.sharp.ca



APPELEZ-NOUS

CA **877-278-6709**
De lundi au vendredi :
de 8 h à 17 h est
(sauf les jours fériés)

Contactez un conseiller Sharp par téléphone



GARANTIE LIMITÉE

Produits électroniques de grande consommation

Merci d'avoir choisi la marque Sharp!

Sharp Électronique du Canada Ltée (« Sharp ») garantit à l'acheteur initial de ce Produit de marque Sharp (le « Produit ») que, s'il est emballé dans son contenant original et s'il est vendu ou distribué au Canada par Sharp ou par un détaillant agréé Sharp, et s'il n'a pas été vendu « tel quel » ou s'il ne s'agissait pas d'une « vente ferme », ledit Produit est exempt de défaut de fabrication et de vice de matériau pour la période de garantie stipulée et s'engage auprès de l'acheteur initial, durant ladite période de garantie applicable, à réparer la défectuosité ou à remplacer le Produit défectueux.

Conditions : La présente garantie limitée ne s'applique pas :

- Aux dommages occasionnés ou aux réparations requises sur les appareils qui ont fait l'objet d'un emploi abusif, de négligence, d'un accident, d'une installation inadéquate ou d'une utilisation non appropriée, tel qu'il est mentionné dans le manuel du propriétaire ou dans toute autre documentation applicable sur le Produit;
- Aux dommages occasionnés ou aux réparations requises sur les produits Sharp trafiqués, modifiés, réglés ou réparés par une entité autre que Sharp, un centre agréé de service après-vente Sharp ou un détaillant agréé de service après-vente Sharp;
- Aux dommages occasionnés ou aux réparations requises à la suite de l'utilisation du Produit avec des articles non désignés ou approuvés par Sharp, y compris, mais sans en être limité aux des agents de nettoyage chimiques;
- Au remplacement des accessoires devenu nécessaire dans le contexte d'une utilisation normale du Produit, y compris, mais sans en être limité aux télécommandes, adaptateurs c.a., piles, sonde de température, plateaux, filtres, courroies, rubans, câbles ou papier;
- Aux défauts cosmétiques à la surface ou au boîtier extérieur du Produit, et qui sont attribuables à une dégradation volontaire ou à une détérioration une sure résultant d'un usage normal;
- Aux défectuosités occasionnées ou aux réparations requises à la suite de dommages occasionnés par des conditions extérieures et relatives à l'environnement, y compris, mais sans en être limité à surtension de la ligne électrique ou de transmission, liquide répandu ou force majeure;
- Si le numéro de série ou de modèle indiqué sur le Produit a été enlevé, dégradé, modifié, altéré ou varié;
- La présente garantie limitée ne s'applique pas si le Produit a été utilisé ou est utilisé dans un environnement commercial ou aux fins commerciales, puisque la présente garantie s'applique uniquement aux produits non commerciaux et utilisés dans un contexte ménager ou personnel, par des consommateurs dans leur résidence;
- Aux frais d'installation, de livraison, de configuration et/ou de programmation.
- Au démontage et à la réinstallation des fours à micro-ondes à hotte intégrée, du tiroir à micro-ondes Microwave Drawer, ou du four à vapeur si l'appareil est installé dans un endroit inaccessible, si des armoires, des poignées ou d'autres pièces d'appoint doivent être enlevées pour l'accès au Produit, ou si l'appareil n'est pas installé conformément aux directives d'installation du Produit.

Pour obtenir le service après-vente : La réparation sous garantie se fera à la condition que le Produit Sharp soit livré accompagné de la preuve d'achat (sur laquelle est indiquée la date d'achat) et d'une copie de la présente garantie limitée, à un centre agréé de service après-vente Sharp ou chez un détaillant agréé de service après-vente Sharp. Pour les fours à micro-ondes à hotte intégrée, les tiroirs à micro-ondes Microwave Drawer, ou les fours à vapeur, la réparation sur place sous garantie sera effectuée aux endroits accessibles par véhicule routier et situés à moins de 50 km d'un centre agréé de service Sharp. Le technicien peut, au besoin, ramener l'appareil à son atelier pour en faire la réparation. Aucun autre agent (y compris les détaillants et les centres de service après-vente Sharp) n'est autorisé à prolonger la durée de la garantie, à proposer des garanties additionnelles ou à transférer cette garantie au nom de Sharp. L'acheteur est redevable de tous les frais de démontage, de réinstallation, de transport et d'assurance de l'appareil, à l'exception des fours à micro-ondes à hotte intégrée, du tiroir à micro-ondes Microwave Drawer, ou du four à vapeur, auquel cas Sharp est responsable du démontage et de la réinstallation.

Les garanties expresses de la présente garantie limitée constituent, sauf pour les consommateurs-acheteurs domiciliés au Québec, et à l'exception des cas où la loi en vigueur l'interdit, la garantie entière du Produit. Sharp décline toute autre garantie et condition, explicite ou implicite, découlant de la loi, d'un règlement, de la conduite habituelle ou de l'usage du commerce, y compris, mais sans en être limité, les garanties ou les conditions implicites de qualité marchande et d'adaptabilité à une utilisation ou à une fin particulière, et/ou de non-violation. **Limitations** (non applicables aux consommateurs-acheteurs domiciliés au Québec, dans la mesure où la loi en vigueur au Québec l'interdit) : a) Sharp ne se tiendra en aucun cas responsable des dommages accessoires, spéciaux, consécutifs, économiques, exemplaires ou indirects de quelque type ou nature que ce soit (y compris la perte de profits ou les dommages par suite de la perte de temps, d'utilisation ou de données) relatifs à l'utilisation ou au rendement d'un Produit ou à la défectuosité d'un Produit, même si Sharp est informé ou a été avisé de la possibilité de tels dommages; b) les recours mentionnés dans la présente garantie limitée constituent l'exécution intégrale de toutes les obligations et responsabilités de Sharp envers l'acheteur à l'égard du Produit et constitueront la satisfaction entière de toutes les réclamations, qu'elles relèvent d'un contrat, de négligence, de responsabilité stricte ou autre. Dans certaines provinces, il est interdit d'exclure ou de limiter l'application de certains dommages ou de certaines limites sur la durée ou l'annulation de certaines garanties ou conditions implicite. Par conséquent, dans ces provinces, les exclusions et les limites indiquées aux présentes peuvent ne pas s'appliquer. La présente garantie limitée est, sauf pour les consommateurs-acheteurs domiciliés au Québec, régie par les lois de la province canadienne dans laquelle l'acheteur a acquis le Produit. Pour les consommateurs-acheteurs domiciliés au Québec, la présente garantie limitée est régie par les lois du Québec.

PÉRIODES DE GARANTIE (calculées à partir de la date de l'achat original) : Pièces et main-d'œuvre (exceptions relevées)

Four à micro-ondes	1 an (magnétron – 4 ans supplémentaires)
Four muraux + tiroirs à micro-ondes	1 an (magnétron – 4 ans supplémentaires)
Four à vapeur	1 an
Petits électroménagers de cuisine	1 an
Purificateur d'air	1 an

Pour savoir les coordonnées du détaillant agréé de service après-vente ou du centre agréé de service après-vente Sharp près de chez vous, ou pour obtenir davantage de renseignements sur la présente garantie limitée, sur les offres de garantie prolongée de Sharp ou sur les ventes de produits ou d'accessoires Sharp, veuillez communiquer avec Sharp :

- Par écrit : Sharp Électronique du Canada Ltée, 335, rue Britannia Est, Mississauga (Ontario) L4Z 1W9
- Par téléphone : 905 568-7140
- Sur Internet : www.sharp.ca

CETTE GARANTIE LIMITÉE EST VALABLE UNIQUEMENT AU CANADA.

VOTRE SÉCURITÉ ET LA SÉCURITÉ DES AUTRES SONT TRÈS IMPORTANTES.

Nous avons fourni plusieurs messages de sécurité importants dans ce manuel et sur votre appareil. Toujours lire et suivre tous les messages de sécurité.



Il s'agit du symbole d'alerte de sécurité.

Ce symbole vous avertit des dangers potentiels qui peuvent vous tuer ou vous blesser, ainsi que d'autres personnes. Tous les messages de sécurité sont accompagnés du symbole d'alerte de sécurité et de l'un des mots suivants : DANGER, MISE EN GARDE ou AVERTISSEMENT.



Une situation de danger imminent. Vous pouvez être tué ou gravement blessé si vous ne suivez pas immédiatement les instructions.



Situation potentiellement dangereuse qui, si elle n'est pas évitée, peut entraîner la mort ou des blessures corporelles graves.



Situation potentiellement dangereuse qui, si elle n'est pas évitée, peut entraîner des blessures modérées ou légères.

Tous les messages de sécurité vous indiquent quel est le danger potentiel, comment réduire le risque de blessure et ce qui peut arriver si les instructions ne sont pas suivies.

Avertissement concernant la Proposition 65 de la Californie :

MISE EN GARDE : Ce produit contient un ou plusieurs produits chimiques reconnus par l'État de la Californie pour provoquer le cancer et des anomalies congénitales.

MISE EN GARDE : Ce produit contient un ou plusieurs produits chimiques reconnus par l'État de la Californie pour provoquer des anomalies congénitales ou autres effets néfastes sur la fonction de reproduction.

MISES EN GARDE POUR L'INSTALLATION ÉLECTRIQUE

MISE EN GARDE



RISQUE D'ÉLECTROCUTION

- L'installation et l'entretien doivent être effectués par un installateur ou un service d'entretien qualifié.
- Le modèle est alimenté à 240 V.
- Débrancher toujours l'alimentation électrique avant de procéder à l'entretien de cet appareil.
- Cet appareil doit être correctement mis à la terre.
- Le non-respect de cette consigne peut entraîner la mort ou des blessures graves.

INSTRUCTIONS DE SÉCURITÉ IMPORTANTE

AVERTISSEMENT POUR LE RÉSEAU LOCAL SANS FIL

AVERTISSEMENT CONCERNANT L'UTILISATION DU WI-FI

- Le fonctionnement ne peut être garanti à proximité d'appareils de communication sans fil Bluetooth® utilisant la même fréquence (2,4 GHz) que ce produit ou d'appareils sans fil à faible consommation spécifiés. Il peut également y avoir des problèmes dans les endroits où se trouvent des appareils émettant un champ magnétique, comme les fours à micro-ondes, ainsi que dans les endroits où il y a de l'électricité statique ou des perturbations radioélectriques, tous ces éléments pouvant interférer avec le signal Wi-Fi.
- La connexion sans fil et les performances ne peuvent pas être garanties pour tous les routeurs ou environnements de logement. Dans les endroits suivants, il est possible que le Wi-Fi ne soit pas accessible ou soit déconnecté : à l'intérieur d'un bâtiment en béton ou en métal armé, à proximité d'un obstacle (par exemple, un mur) ou d'un appareil de communication sans fil utilisant la même fréquence.
- Le réseau local sans fil de ce produit correspond aux canaux 1-13. Il n'est pas disponible pour communiquer avec les routeurs configurés sur d'autres canaux.

PRUDENCE À L'ÉGARD DES INFORMATIONS PERSONNELLES (LIÉES À LA SÉCURITÉ)

- L'utilisation d'un appareil LAN sans fil peut être interceptée lors de l'utilisation du Wi-Fi, quel que soit le réglage du mot de passe.
- En fonction de l'endroit où le four est connecté, il est nécessaire de s'assurer d'avoir le droit/l'autorisation de connecter l'appareil au réseau Wi-Fi disponible.
- En cas de mise au rebut, de don ou de vente de l'appareil, réinitialiser les paramètres Wi-Fi comme indiqué dans ce manuel. La fonction LAN non filaire de l'unité doit être initialisée (réinitialisée) en cas de transfert à un tiers afin d'éviter tout accès illégal de la part de parties non autorisées.

EXIGENCES MINIMALES POUR LES SPÉCIFICATIONS DU WI-FI/ROUTEUR :

- IEEE 802.11 b/g/n compatible WLAN
- Taux de réception et de transmission PHY de 72,2 Mbit/s utilisant une largeur de bande de 20 MHz
- Taux de réception et de transmission PHY de 150 Mbit/s utilisant une largeur de bande de 40 MHz
- 802.11i (WPA, WPA2). Services d'authentification par clé ouverte, par clé partagée et par paire de clés
- Prise en charge du Wi-Fi WPS

RENSEIGNEMENTS RÉGLEMENTAIRES IMPORTANTS

⚠ AVERTISSEMENT Tous changements ou modifications à l'appareil qui ne sont pas expressément approuvés par la partie responsable de la conformité pourraient annuler l'autorité de l'utilisateur à utiliser l'appareil.

REMARQUE : Cet équipement a été testé et est conforme avec les limites d'un appareil numérique de classe B, conformément à la section 15 des règles de la FCC. Ces limites sont conçues pour procurer une protection raisonnable contre les brouillages préjudiciables dans une installation résidentielle. Ce équipement génère, utilise et peut émettre de l'énergie de fréquence radio et, s'il n'est pas installé et utilisé selon les instructions, peut provoquer des brouillages préjudiciables aux communications radio. Cependant, il n'y a aucune garantie que l'interférence ne sera pas présente dans des installations particulières. Si cet équipement provoque des brouillages préjudiciables à la réception de la radio ou du téléviseur, ce qui peut être déterminé en mettant en marche et en arrêtant l'équipement, nous suggérons à l'utilisateur d'essayer de corriger l'interférence par l'une ou plusieurs des mesures suivantes :

- Réorienter ou repositionner l'antenne de réception.
- Augmenter la distance entre l'équipement et le récepteur.
- Connecter l'équipement à une prise de courant sur un circuit différent de celui sur lequel est branché le récepteur.
- Consulter le détaillant ou un technicien radio/télévision qualifié pour obtenir de l'aide.

FOUR MURAL INTELLIGENT À CONVECTION AVEC FOUR À MICRO-ONDES TIROIR MICROWAVE DRAWER™ : MODÈLE SWB3085HS

Cet appareil est conforme à la partie 15 des règles de la FCC. Le fonctionnement est soumis aux deux conditions suivantes : (1) Cet appareil ne doit pas causer d'interférences nuisibles, et (2) cet appareil doit accepter toute interférence reçue, y compris les interférences susceptibles de provoquer un fonctionnement indésirable.

- Contenu de la FCC : 2BABF-S21

PARTIE RESPONSABLE :

- Sharp Électronique du Canada Ltée
335, rue Britannia Est, Mississauga (Ontario) L4Z 1W9
TÉL. : 877-278-6709 • www.sharp.ca

INFORMATIONS CONCERNANT L'EXPOSITION À L'ÉNERGIE DES FRÉQUENCES RADIO

La puissance de sortie de la technologie radio utilisée dans l'appareil est inférieure aux limites d'exposition aux fréquences radio fixées par la FCC. Cet appareil doit être installé et utilisé avec une distance minimale de 20 cm entre le radiateur et votre corps.

L'appareil et le cordon sont conformes aux directives de la FCC en matière d'émission de fréquences radio et sont certifiés par la FCC. L'information sur ces produits est disponible auprès de la FCC et peut être trouvée en effectuant une recherche par l'identifiant de la FCC du produit (qui se trouve sur l'étiquette réglementaire de l'appareil) dans le formulaire de recherche par identifiant de la FCC disponible à l'adresse transition.fcc.gov/oet/ea/fccid.

Suivre toutes les lois applicables concernant les déchets électroniques pour la mise au rebut de votre four à micro-ondes.

INSTRUCTIONS DE SÉCURITÉ IMPORTANTE

LIRE TOUTES LES INSTRUCTIONS AVANT L'UTILISATION

IMPORTANT Lire attentivement toutes les instructions avant l'installation et l'utilisation. Conserver ce Manuel d'utilisation pour un usage ultérieur. Cet appareil est fabriqué conformément aux normes de sécurité en vigueur.

▲ MISE EN GARDE Le non-respect de ces avertissements pourrait entraîner un incendie, une explosion qui provoque des dommages à la propriété, des dommages corporels ou même la mort. Pour réduire le risque d'incendie, de décharge électrique, d'exposition à l'énergie excessive des micro-ondes ou de blessure, utiliser l'appareil uniquement pour l'utilisation prévue et prendre les précautions suivantes.

INSTALLATION APPROPRIÉE :

- 1 Cet appareil doit être correctement installé et mis à la terre par un technicien qualifié. Le brancher uniquement sur une prise de courant correctement mise à la terre. Se reporter aux INSTRUCTIONS POUR LA MISE À LA TERRE à la page 10.
- 2 Cet appareil doit être réparé uniquement par un technicien de service qualifié. Retourner l'appareil dans un centre de service autorisé près de chez vous pour une vérification, une réparation ou un réglage.
- 3 Ne pas réparer ou ne pas remplacer pas de pièces sur le four à moins que cela ne soit mentionné. Il est nécessaire de s'adresser à un réparateur agréé.
- 4 Ne pas utiliser cet appareil s'il ne fonctionne pas correctement ou s'il a été endommagé.
- 5 Installer ou placer cet appareil uniquement selon les instructions d'installation fournies.
- 6 Utiliser ce four uniquement comme prévu par le fabricant. En cas de questions, contacter le fabricant.
- 7 Ne pas couvrir ou bloquer les ouvertures de cet appareil.
- 8 Utiliser cet appareil uniquement pour l'utilisation prévue et décrite dans ce manuel. Ne pas utiliser de produits chimiques corrosifs, de vapeurs corrosives ou de produits non alimentaires dans cet appareil. Ce type de four est spécifiquement conçu pour chauffer ou cuire. Il n'est pas conçu pour une utilisation commerciale ou en laboratoire. L'utilisation de produits chimiques corrosifs pendant le chauffage ou le nettoyage endommagera l'appareil.

POUR RÉDUIRE LE RISQUE D'INCENDIE DANS LA CAVITÉ DU FOUR :

- 1 Ne pas immerger le cordon dans l'eau. Garder le cordon éloigné des surfaces chaudes.
- 2 Pour éviter les accidents et avoir un maximum de ventilation, laisser suffisamment d'espace autour de la zone de cuisson.

- 3 Ne pas stocker ou utiliser de matériaux inflammables ou combustibles, d'essence ou d'autres vapeurs et liquides inflammables à proximité de cet appareil.
- 4 Demander à l'installateur d'indiquer l'emplacement du disjoncteur ou du fusible. Il est nécessaire de la noter pour pouvoir vous y référer facilement.
- 5 Ne pas utiliser d'eau sur un feu de graisse. Éteindre le feu ou utiliser un extincteur à poudre ou à mousse.
- 6 Il est fortement recommandé d'avoir un extincteur à portée de main et bien visible à proximité de tout appareil de cuisson.
- 7 Ne pas faire trop cuire les aliments. Surveiller attentivement le four si vous y mettez du papier, du plastique ou d'autres matières combustibles à l'intérieur de celui-ci.
- 8 Ne pas utiliser l'appareil à des fins de rangement. Ne pas laisser les produits de papier, les ustensiles de cuisson ou les aliments dans la cavité intérieure lorsqu'il n'est pas utilisé.
- 9 Si des matériaux à l'intérieur du four s'enflamment, garder la porte du four fermée. Éteindre le four et le déconnecter du circuit au niveau du boîtier du disjoncteur.
- 10 Veiller à ce que le ventilateur fonctionne chaque fois que le four est en marche. Si le ventilateur ne fonctionne pas, ne pas utiliser le four. Appeler un centre de service agréé.
- 11 Ne jamais utiliser le four pour réchauffer une pièce.
- 12 Enlever les attaches torsadées à fil métallique des sacs de papier ou de plastique avant de mettre le sac dans la cavité du four.

SÉCURITÉ PERSONNELLE :

- 1 Ne pas laisser les enfants utiliser cet appareil sans la surveillance étroite d'un adulte. Les enfants et les animaux domestiques ne doivent pas être laissés seuls ou sans surveillance dans la zone où l'appareil est utilisé. Ne jamais laisser les enfants s'asseoir ou se tenir debout sur une quelconque partie du four.
- 2 Ne pas ranger d'objets susceptibles d'intéresser les enfants au-dessus du four. Si les enfants grimpent sur l'appareil pour atteindre ces éléments, ils risquent de se blesser gravement.
- 3 À des fins de sécurité, porter des vêtements appropriés. Des vêtements amples ou des manches qui pendent ne devraient jamais être portés lors de l'utilisation de l'appareil.

INSTRUCTIONS DE SÉCURITÉ IMPORTANTE

- 4 Attacher les cheveux longs pour qu'ils ne pendent pas.
- 5 Ne pas toucher aux éléments chauffants ou aux surfaces intérieures du four.
- 6 Les éléments chauffants peuvent être chauds même s'ils sont de couleur foncée. Les surfaces intérieures d'un four deviennent suffisamment chaudes pour provoquer des brûlures.
- 7 Pendant et après l'utilisation, ne pas toucher et ne pas laisser les vêtements ou autres matériaux inflammables entrer en contact avec les éléments chauffants ou les surfaces intérieures du four jusqu'à ce qu'ils aient eu le temps de refroidir.
- 8 Les garnitures situées sur le dessus et les côtés de la porte du four peuvent devenir suffisamment chaudes pour provoquer des brûlures.
- 9 Prendre les précautions nécessaires en ouvrant la porte. Ouvrir légèrement la porte pour permettre à l'air chaud ou à la vapeur de s'échapper avant de retirer ou de remplacer les aliments.
- 10 Ne pas chauffer pas les récipients alimentaires non ouverts. L'accumulation de pression peut entraîner l'éclatement du récipient et provoquer des blessures.
- 11 Toujours placer les grilles du four à l'endroit souhaité lorsque le four est froid. Si une grille doit être déplacée alors que le four est chaud, ne pas laisser les poignées entrer en contact avec les éléments chauffants.
- 12 Utiliser uniquement des poignées sèches. Des poignées humides ou mouillées qui entrent en contact avec des surfaces chaudes peuvent entraîner des brûlures. Ne pas laisser les poignées toucher aux éléments chauffants chauds. Ne pas utiliser de serviette ou de chiffon de grande taille.
- 13 Des liquides, comme l'eau, le café ou le thé peuvent être surchauffés au-delà du point d'ébullition sans sembler être en ébullition en raison de la tension superficielle du liquide. Des bulles ou de l'ébullition visibles ne sont pas toujours présentes lorsque le contenant est retiré de la cavité du four. Les LIQUIDES TRÈS CHAUDS pourraient soudainement se mettre à bouillir lorsqu'une cuillère ou un autre ustensile est inséré dans le liquide.
Pour réduire le risque de blessures corporelles lors du chauffage de liquide :
 - Ne pas surchauffer les liquides.
 - Remuer les liquides avant et au milieu du temps de chauffage.
 - Ne pas utiliser de contenants à paroi droite avec une encolure étroite. Utiliser un contenant à large encolure.

- Après la cuisson, laisser le contenant dans l'appareil au moins 20 secondes avant de retirer le contenant de l'appareil.
- Faire preuve de prudence en insérant une cuillère ou un autre ustensile dans le contenant.

SÉCURITÉ POUR LE FOUR AUTONETTOYANT :

- 1 Avant d'utiliser la fonction d'autonettoyage du four, retirer la lèchefrite, les grilles du four (uniquement lorsqu'elles ne sont pas en porcelaine), les autres ustensiles et l'excédent de déversement.
- 2 Confirmer que la porte se verrouille et ne s'ouvre pas une fois que l'autonettoyage est lancé et que l'icône de verrouillage de la porte apparaît. Si la porte ne se verrouille pas, appuyer sur ANNULER (cancel) et ne pas lancer l'autonettoyage. Appeler un centre de service agréé.
- 3 Ne pas nettoyer le joint de la porte. Il est essentiel pour une bonne étanchéité. Il faut veiller à ne pas frotter, endommager, déplacer ou enlever le joint de la porte.
- 4 Ne pas utiliser de nettoyeurs commerciaux pour fours ou de revêtements protecteurs pour fours, quels qu'ils soient, à l'intérieur ou autour de n'importe quelle partie du four.
- 5 Nettoyer uniquement les pièces du four indiquées dans ce manuel.
- 6 D'autres surfaces de l'appareil peuvent devenir suffisamment chaudes pour provoquer des brûlures, par exemple : les ouvertures de ventilation du four et les surfaces proches de ces ouvertures, les portes du four et les fenêtres des portes du four.

SÉCURITÉ ALIMENTAIRE

Faire cuire les aliments aux températures de sécurité recommandées par le ministère de l'Agriculture des États-Unis (USDA). Pour vérifier la température interne des aliments afin de déterminer leur degré de cuisson, insérer un thermomètre à viande dans une partie épaisse ou dense loin du gras ou des os.

⚠ MISE EN GARDE Ne JAMAIS laisser le thermomètre dans les aliments pendant la cuisson au micro-ondes à moins qu'il ne soit homologué pour la cuisson à micro-ondes.

TEMPÉRATURES RECOMMANDÉES PAR L'USDA

poisson	63°C (145°F)
Porc, viande hachée/veau/agneau, plats à base d'œuf	71°C (160°F)
dinde/poulet/canard entiers, en morceaux et hachés, restes, prêts à réchauffer, réfrigérés, charcuterie et plats à emporter	74°C (165°F)

INSTRUCTIONS DE SÉCURITÉ IMPORTANTE

REMARQUE :

- TOUJOURS utiliser des poignées pour éviter les brûlures lors de la manipulation des ustensiles qui sont en contact avec la nourriture chaude. La quantité de chaleur dans les aliments
- peut se transférer aux ustensiles et provoquer des brûlures à la peau.
- Éviter les brûlures par la vapeur en dirigeant la vapeur en direction opposée de votre visage et de vos mains. Soulever lentement le rebord le plus éloigné du couvert d'un plat et ouvrir avec précautions les sacs de cuisson et de maïs soufflé au micro-ondes, le plus loin possible du visage.
- Rester à proximité de l'appareil lorsqu'il est en marche et vérifier fréquemment la progression de la cuisson pour éviter de trop cuire les aliments.
- Ne JAMAIS utiliser l'appareil pour ranger des livres de cuisine ou autres articles.
- Sélectionner, ranger et manipuler les aliments avec soins pour préserver leur grande qualité et minimiser la propagation des bactéries alimentaires.
- Garder le couvercle du guide d'ondes propre, car les résidus alimentaires peuvent provoquer des arcs électriques et des incendies. Se reporter à COUVERCLE DE GUIDE D'ONDES à la page 24.

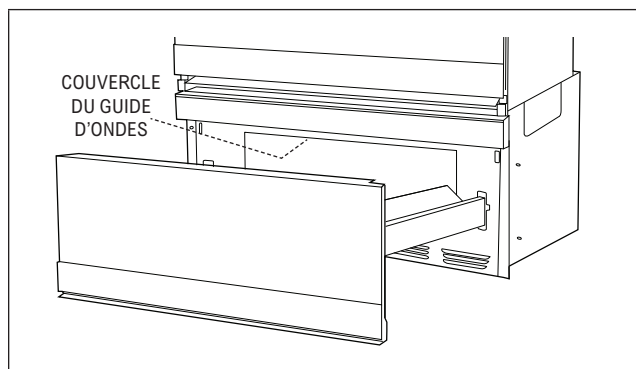
LIRE ET CONSERVER CES INSTRUCTIONS

INSTRUCTIONS IMPORTANTES

DÉBALLAGE DE L'APPAREIL

Enlever tout le matériel d'emballage de l'intérieur de l'appareil. Enlever l'autocollant de présentation, s'il y en a un, à l'extérieur de l'appareil. Vérifier si l'appareil est endommagé, par exemple s'il est mal enligné ou que le tiroir est courbé, des joints d'étanchéité et des surfaces d'étanchéité sont endommagés, des glissières de tiroir sont endommagées ou mal fixées ou s'il existe des irrégularités à l'intérieur de la cavité ou sur le devant du tiroir. En cas de dommage, ne pas utiliser l'appareil et contacter le revendeur ou un réparateur agréé Sharp.

IMPORTANT: NE PAS ENLEVER LE COUVERCLE DE GUIDE D'ONDES SITUÉ DANS LE HAUT DU FOUR MICRO-ONDES TIROIR MICROWAVE DRAWER™.



AVANT L'UTILISATION

- Lire et comprendre toutes les instructions de ce manuel d'utilisation.
- S'assurer que l'appareil est correctement installé et raccordé à l'alimentation électrique conformément à toutes les instructions du manuel d'installation fourni.
- S'assurer que tous les matériaux d'emballage de protection et le ruban adhésif ont été complètement et correctement enlevés.

CONDITION DE L'UNITÉ

N'utiliser aucun appareil lorsque le cordon d'alimentation est endommagé ou après un mauvais fonctionnement ou s'il a été endommagé d'une quelconque façon. Retourner l'appareil dans un centre de service autorisé près de chez vous pour une vérification, une réparation ou un réglage.

AVERTISSEMENT CONCERNANT LE SERVICE ET LA RÉPARATION

Ne pas réparer ni remplacer aucune pièce de cet appareil. Si l'écran, le four ou les commandes tactiles ne fonctionnent pas, consulter un réparateur agréé Sharp.

INTERFÉRENCE RADIO OU TÉLÉVISION

Si l'appareil Sharp est à l'origine d'interférences avec votre radio ou votre télévision, vérifier si l'appareil est branché sur un circuit électrique différent, déplacer la radio ou la télévision aussi loin que possible de l'appareil ou vérifier la position et le signal de l'antenne réceptrice.

INSTRUCTIONS POUR LA MISE À LA TERRE

Cet appareil doit être alimenté par la tension et la fréquence appropriées et connecté à un circuit de dérivation individuel, correctement mis à la terre, protégé par un disjoncteur ou un fusible dont l'ampérage est indiqué sur la plaque signalétique. Une alimentation 208/240 V c.a., 60 Hz, 3 fils ou 4 fils, monophasée doit être utilisée.

REMARQUE : Vérifier les codes locaux pour connaître la taille requise du disjoncteur. Tout le câblage électrique et le branchement de cet appareil doivent être effectués par un électricien qualifié. Noter l'emplacement de la déconnexion principale de l'appareil.

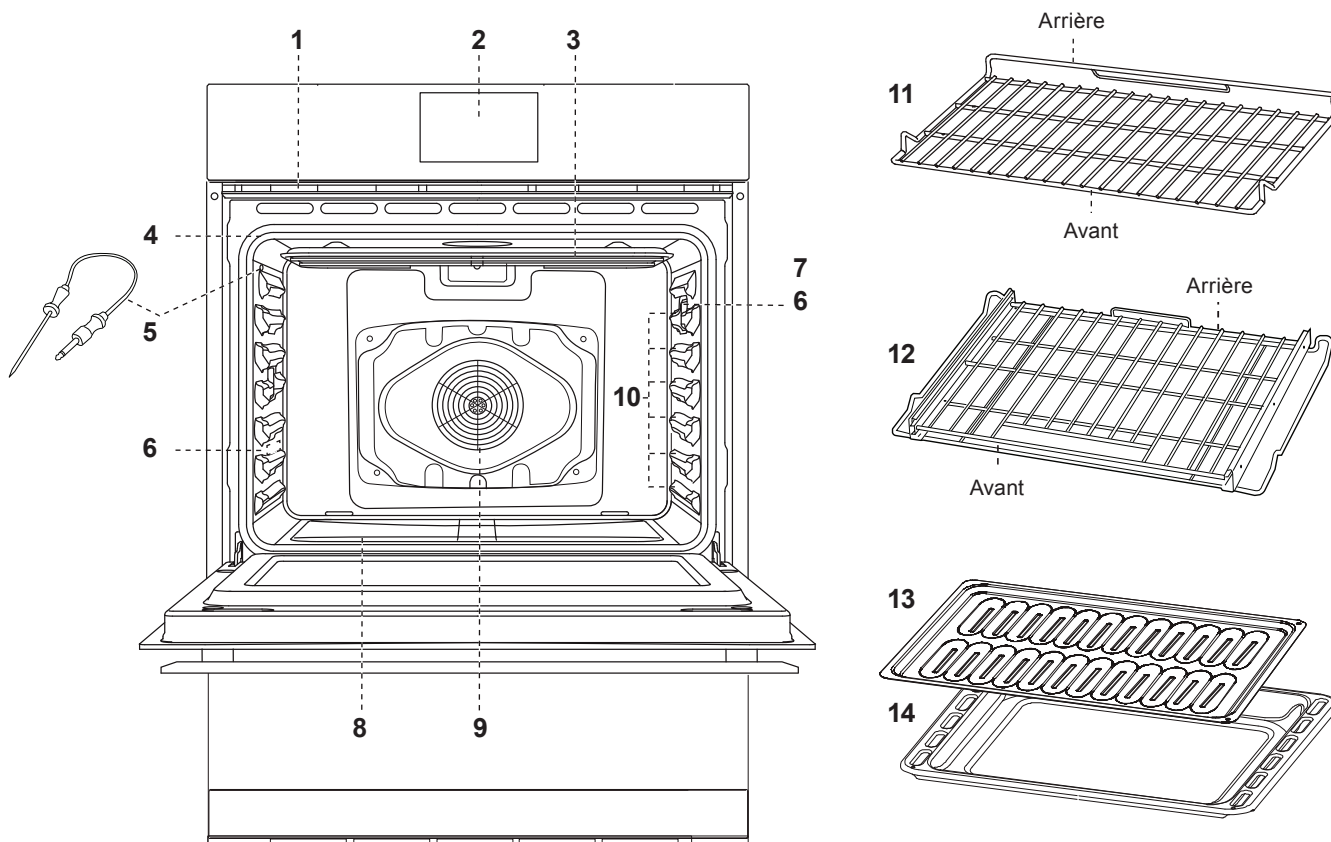
⚠ MISE EN GARDE Une utilisation inappropriée de la prise de mise à la terre peut entraîner un risque de décharge électrique. Ne pas utiliser de rallonge électrique. Si le cordon d'alimentation est trop court, faire installer une prise de courant près de l'appareil par un électricien ou un technicien de service qualifié.

En cas de questions au sujet de la mise à la terre ou des instructions électriques, consulter un électricien ou un technicien qualifié.

MISE AU REBUT DU PRODUIT

Ce produit ne doit pas être traité avec les ordures ménagères. Pour mettre l'appareil au rebut, le déposer dans un point de collecte approprié pour le recyclage des équipements électriques et électroniques. Éliminer ce produit correctement afin d'éviter les conséquences négatives pour l'environnement et la santé humaine qui pourraient résulter d'un traitement inapproprié des déchets de ce produit. Pour des informations plus détaillées concernant le recyclage de ce produit, contacter votre bureau local de gestion des déchets, votre gestionnaire de rebut domestique ou le magasin où le produit a été acheté.

SWB3085HS – FOUR MURAL

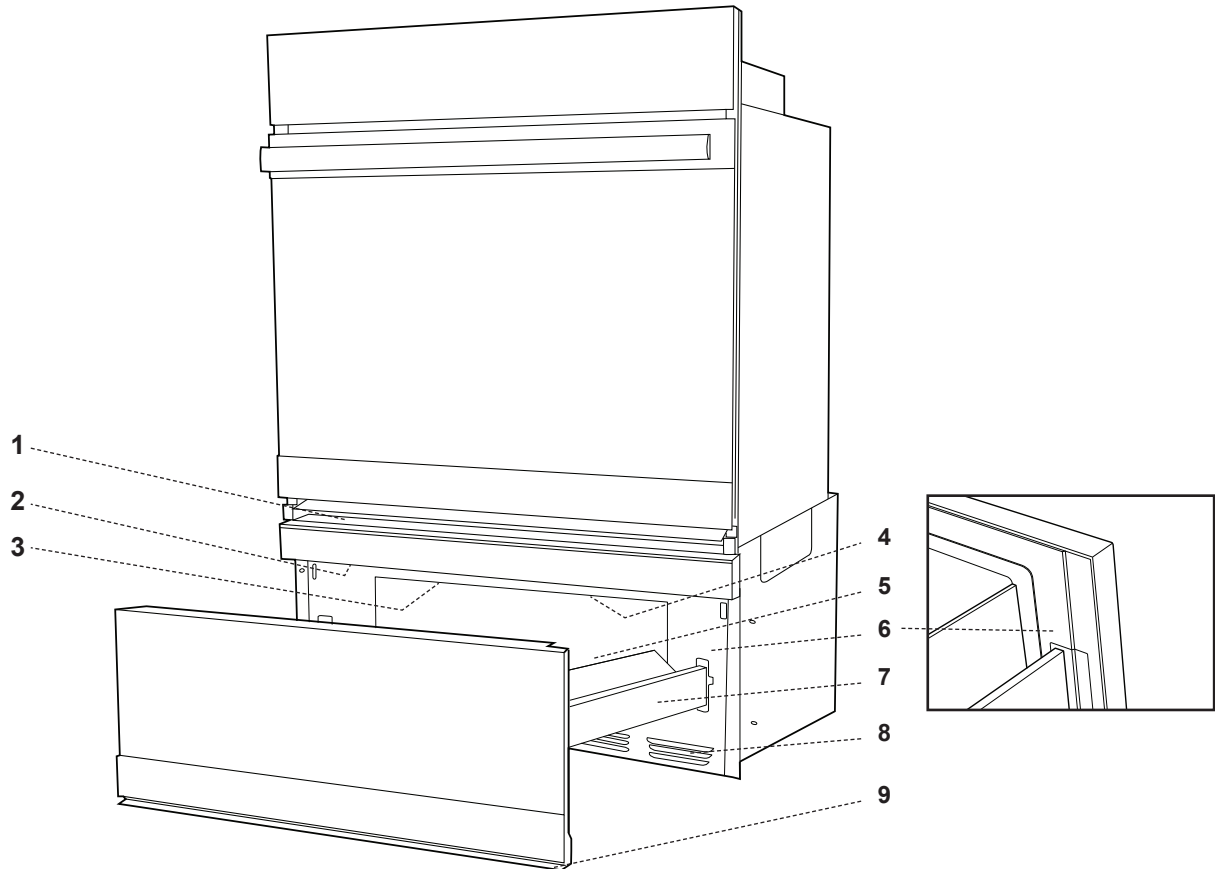


- 1** Évent du four
- 2** Panneau de commande
- 3** Élément de grillage
- 4** Joint de la porte
- 5** Sonde pour la viande
- 6** Lumière halogène
- 7** Plaque du modèle et du numéro de série
- 8** Élément du bas (non visible)
- 9** Ventilateur et élément de convection
- 10** Positions des grilles
(6 positions, voir la page 17)

- 11** Grille de four standard (2 grilles)
- 12** Grille à glissement (1 grille)
- 13** Grille de la lèchefrite
- 14** Lèchefrite

PIÈCES ET FONCTIONNALITÉS

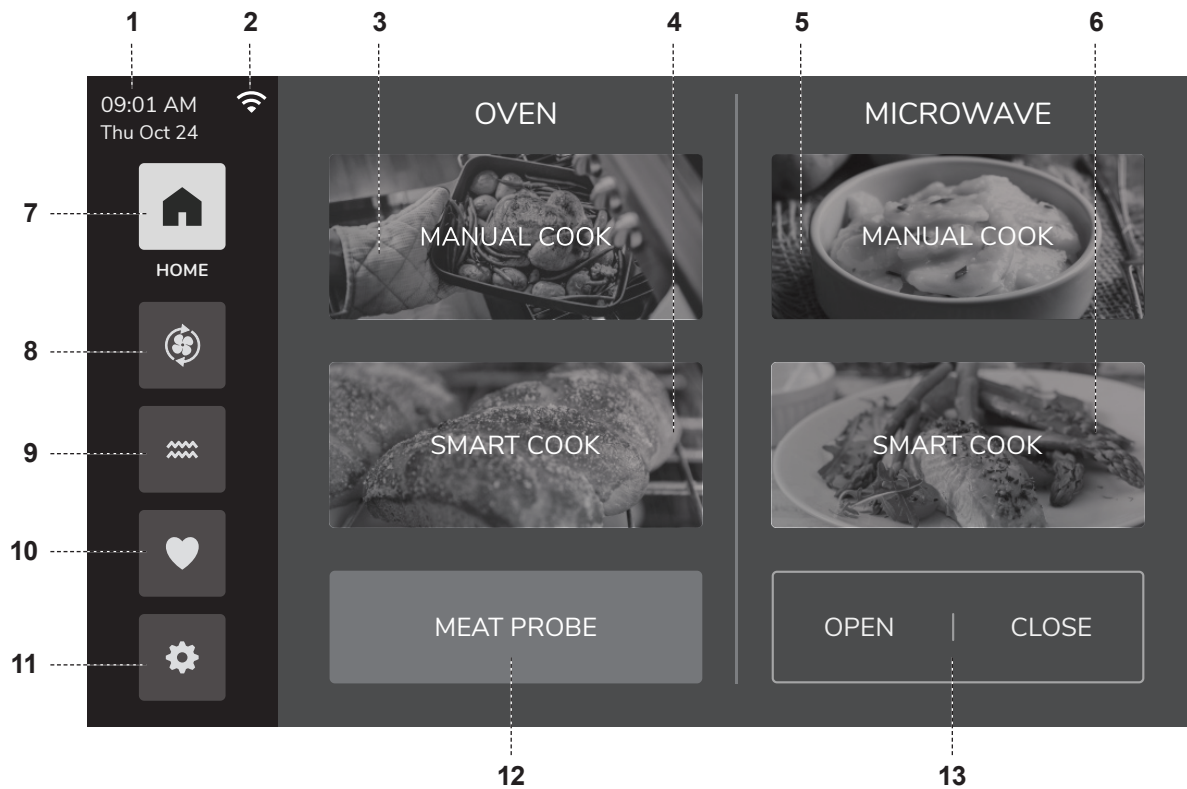
SWB3085HS – FOUR MICRO-ONDES TIROIR SHARP MICROWAVE DRAWER™



- 1 Évent du four
- 2 Capteur d'ouverture
- 3 Couverture du guide d'ondes **NE PAS RETIRER**
- 4 Lumière du tiroir
- 5 Plaque signalétique
Pour la visualiser, ouvrir complètement le tiroir.
L'étiquette est située au-delà de la paroi arrière de la cavité du four micro-ondes, vers le haut par rapport à la surface plane.
- 6 Surfaces d'étanchéité du tiroir
- 7 Guides du four micro-ondes tiroir
- 8 Évent de tiroir à micro-ondes
- 9 Installation encastrée

COMMANDES DE L'ÉCRAN TACTILE

PAGE D'ACCUEIL



- 1 Heure et date
- 2 Connectivité au réseau
- 3 CUISSON MANUELLE DU FOUR SUPÉRIEUR
- 4 CUISSON INTELLIGENTE DU FOUR SUPÉRIEUR
- 5 CUISSON MANUELLE DU FOUR À MICRO-ONDES INFÉRIEUR
- 6 CUISSON INTELLIGENTE DU FOUR À MICRO-ONDES INFÉRIEUR
- 7 ACCUEIL
- 8 FOUR SUPÉRIEUR
- 9 FOUR À MICRO-ONDES INFÉRIEUR
- 10 FAVORIS
- 11 RÉGLAGES
- 12 SONDE POUR LA VIANDE
- 13 OUVERTURE/FERMETURE DU FOUR À MICRO-ONDES INFÉRIEUR

COMMANDES DE L'ÉCRAN TACTILE

HOME (ACCUEIL)

L'écran d'accueil affiche les états de cuisson pour la cuisson avec un ou deux appareils. Cet écran s'affiche :

- Informations sur l'état d'avancement du ou des appareils actifs
- Élément du menu Mode de cuisson ou Cuisson intelligente
- Niveau de puissance et température

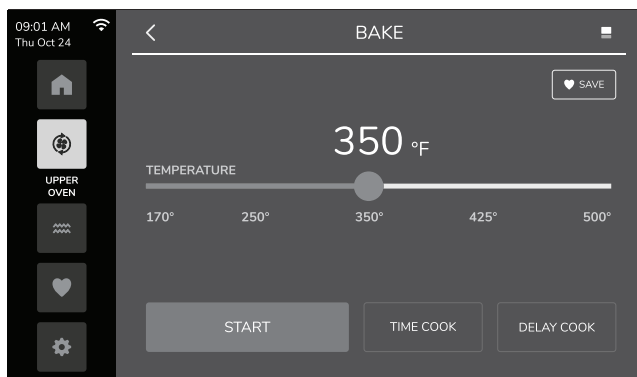
FOUR SUPÉRIEUR


CUISSON MANUELLE DU FOUR SUPÉRIEUR

Sélectionner à partir de sept modes de cuisson manuelle :

- Cuisson
- Griller
- Warm
- Friture à l'air
- Cuisson à convection
- Grillage à convection
- Rôtissage à convection

Après avoir sélectionné un mode de cuisson, un curseur apparaît sur l'écran pour la sélection de la température. Une fois la température sélectionnée, appuyer sur **START** pour commencer le préchauffage immédiatement ou appuyer sur **TIME COOK** ou **DELAY COOK**.



CONSEIL : Il est possible d'enregistrer les températures fréquemment utilisées dans votre liste de FAVORIS en appuyant sur  **SAVE**.

TEMPS DE CUISSON DU FOUR SUPÉRIEUR

Pour programmer une cuisson minutée, au terme de laquelle le four s'éteint, toucher **TIME COOK**. Cet écran confirme la température sélectionnée et permet de saisir l'heure.

Vous pouvez régler la Delay Cook à partir de l'écran Time Cook.

CUISSON DIFFÉRÉE DU FOUR SUPÉRIEUR

Pour retarder le début de la cuisson, appuyer sur **DELAY COOK** et régler l'heure à laquelle la cuisson doit commencer. Appuyer sur **SET** pour accepter les paramètres.

⚠ MISE EN GARDE Ne pas laisser les aliments reposer dans le four pendant plus d'une heure avant ou après la cuisson. Cela peut entraîner un risque d'intoxication alimentaire ou de maladie.

PRÉCHAUFFAGE ET CUISSON ACTIVE

Lorsque le préchauffage démarre, l'écran affiche LOW jusqu'à ce que la température minimale de 170°F soit atteinte. Pendant le préchauffage, l'écran affiche la température actuelle jusqu'à ce que le préchauffage soit terminé. Pour les réglages Time Cook, une fois le préchauffage terminé, placer les aliments dans le four et appuyer sur **START** à l'écran.

L'écran de cuisson active affiche la température actuelle, le mode de cuisson et la minuterie.

SONDE POUR LA VIANDE

La sonde pour la viande est disponible en trois modes de cuisson : Cuisson, cuisson à convection et grillage à convection.

Pour utiliser la sonde à viande, appuyer sur **MEAT PROBE**, régler la température interne souhaitée et la température intérieure du four.

Pour afficher la température interne des aliments pendant la cuisson, appuyer sur **MEAT PROBE** sur l'écran d'accueil.

Lorsque la température interne réglée est atteinte, un signal sonore retentit, une notification s'affiche sur l'écran et le four s'arrête de chauffer.

CUISSON INTELLIGENTE DU FOUR SUPÉRIEUR

Utiliser les pré-réglages Smart Cook pour cuire tous les aliments de la liste. Se référer aux quantités pour chaque aliment.

Sélectionner parmi les 12 catégories d'aliments :

- Bœuf
- Pains
- Casseroles
- Desserts
- Poisson/fruits de mer
- Tartes
- Pizza
- Porc
- Pommes de terre
- Volaille
- Collations
- Légumes

Chaque catégorie d'aliments comporte des sous-catégories de produits alimentaires différents. Par exemple, les sous-catégories de la section Desserts sont : Brownies, gâteau Bundt, biscuits et gâteau à étages.

Sélectionner une catégorie et une sous-catégorie d'aliments pour lancer la cuisson intelligente. Une page d'instruction détaillée apparaîtra.

COMMANDES DE L'ÉCRAN TACTILE

FOUR À MICRO-ONDES INFÉRIEUR

CUISSON MANUELLE DU FOUR À MICRO-ONDES INFÉRIEUR

Pour cuire manuellement au micro-ondes, entrer le temps de cuisson et le niveau de puissance, puis appuyer sur **START** pour démarrer la cuisson.

Appuyer sur **+30 SEC** pour un démarrage rapide ou pour ajouter du temps de cuisson.

CUISSON INTELLIGENTE DU FOUR À MICRO-ONDES INFÉRIEUR

Utiliser les pré-réglages Smart Cook pour cuire tous les aliments de la liste. Se référer aux quantités pour chaque aliment

Sélectionner parmi les 12 catégories d'aliments :

- Boisson/Céréales chaudes
- Décongélation
- Poisson/fruits de mer
- Plats surgelés
- Viande hachée
- Fondre
- Maïs à éclater
- Pommes de terre
- Réchauffer
- Riz
- Doux/chaud
- Légumes

Chaque catégorie d'aliments comporte des sous-catégories de produits alimentaires différents. Par exemple, les sous-catégories de la section Légumes sont : Légumes frais rapides, légumes frais longs, sacs à vapeur et légumes congelés.

Sélectionner une catégorie et une sous-catégorie d'aliments pour lancer la cuisson intelligente.

Une page d'instruction détaillée apparaîtra, comprenant un réglage pour le poids ou la quantité de certains aliments.

RÉGLAGES

L'écran Réglages propose huit options :

MINUTERIE DE CUISINE

La minuterie peut être réglée en heures, minutes ou secondes jusqu'à 12 heures. Faites défiler pour régler l'heure, puis appuyez sur **START** et la minuterie démarrera. Pour mettre le minuteur en pause, appuyez sur **PAUSE** et pour redémarrer le minuteur mis en pause, appuyez sur **RESUME**. Pour annuler la minuterie, appuyez sur **CANCEL** et réinitialisez l'heure ou appuyez sur **YES** pour annuler et revenir à l'écran d'accueil. Lorsque la minuterie atteint 00:00, un signal sonore retentit. Appuyez sur **CLEAR** pour revenir à l'écran Kitchen Timer.

TEMPÉRATURE

L'unité de température peut être modifiée entre les degrés Fahrenheit et Celsius. L'étalonnage par défaut du four est de

0° pour tous les modes de cuisson. Sélectionner les différents modes de cuisson pour ajuster l'étalonnage. Appuyer sur **SAVE** pour conserver les paramètres.

AUTONETTOYAGE DU FOUR

Pour lancer un cycle d'autonettoyage dans le four supérieur, appuyer sur **OVEN SELF-CLEAN** (autonettoyage du four) et suivre les instructions à l'écran. Le cycle d'autonettoyage peut durer 2, 3 ou 3,5 heures, et le démarrage du cycle peut être différé à une heure programmée. Pendant un cycle d'autonettoyage, la porte du four est verrouillée. Si le cycle d'autonettoyage est annulé avant qu'il ne soit terminé, la porte reste verrouillée jusqu'à ce que le four ait refroidi à une température sûre.

PARAMÈTRES DES COMMANDES

EASY-WAVE OPEN SUR LE MICRO-ONDES

La fonction Easy Wave Open est désactivée par défaut lorsque l'appareil est branché pour la première fois. Lorsque la fonction de verrouillage des commandes est activée, la fonction Easy Wave Open est désactivée.

VERROUILLAGE DES COMMANDES

Le verrouillage des commandes permet d'éviter le fonctionnement non souhaité, comme avec les petits enfants. L'écran de commandes tactiles peut être réglé de manière à ce que le panneau de commandes et les mécanismes automatiques soient désactivés ou verrouillés.

AFFICHAGE DES RÉGLAGES

Ce menu permet de régler le mode veille, la luminosité de l'écran, la date et l'heure ou d'activer le mode démonstration.

MODE SABBAT

En mode sabbat, le fonctionnement du four peut être contrôlé, mais les signaux sonores ne retentissent pas, l'horloge est désactivée, les lumières du four sont désactivées et les changements d'affichage peuvent être retardés de 30 à 60 secondes. Il n'est pas nécessaire d'enlever les ampoules du four en mode sabbat. Le four peut fonctionner indéfiniment jusqu'à ce que l'on quitte le mode Sabbath, ce qui annule la durée maximale de fonctionnement continu du four, fixée par défaut à 12 heures.

SON

Sélectionner **SOUND** pour régler les paramètres sonores, y compris la désactivation des sons, la désactivation des bips à la fin de la cuisson minutée, la désactivation des rappels de fin de cuisson et le choix d'un jeu de sons.

WI-FI

Sélectionner **WI-FI** pour activer la fonctionnalité Wi-Fi pour un ou les deux fours et coupler un ou les deux fours à l'application Amazon Alexa sur un appareil mobile. Suivre les instructions à l'écran. Appuyer sur **Upper Oven Wi-Fi** ou **Lower Microwave Wi-Fi** pour activer la commande à distance, afficher les informations Wi-Fi ou réinitialiser le Wi-Fi.

RENSEIGNEMENTS DU SYSTÈME

Sélectionner **System Info** pour l'option de réinitialisation des paramètres d'usine.

UTILISATION DU FOUR

AVANT D'UTILISER LE FOUR

- 1 Sélectionner le mode de cuisson **Bake**.
- 2 Régler la température à 260°C (500°F).
- 3 Laisser le four fonctionner pendant 30 minutes avec la porte fermée et sans aliments dans la cavité.

REMARQUE : L'odeur éventuellement détectée lors de cette première utilisation est due à l'évaporation des substances utilisées pour protéger le four durant pendant le stockage.

- 4 Éteindre le four et le laisser refroidir.

GÉNÉRAL

IMPORTANT : Ne rien placer, y compris des plats, des feuilles d'aluminium et des plaques de four, sur le fond du four lorsqu'il fonctionne, afin d'éviter d'endommager l'émail.


- Placer les ustensiles de cuisson contenant des aliments sur l'une ou les deux étagères fournies avec le four.
- Préchauffer le four lors de l'utilisation des modes Cuisson, Cuisson à convection et Rôtissage à convection.
- La sélection d'une température plus élevée ne raccourcit pas le temps de préchauffage.
- Le préchauffage est nécessaire pour obtenir de bons résultats lors de la cuisson de gâteaux, de biscuits, de pâtisseries et de pains.
- Le préchauffage permet de saisir les rôtis et de sceller les jus de viande.
- Placer les grilles du four dans leur position correcte avant le préchauffage.
- Ne pas poser de casseroles sur la porte ouverte du four.
- Utiliser les lumières intérieures du four pour voir les aliments à travers la fenêtre de la porte du four plutôt que d'ouvrir la porte fréquemment.

SONDE POUR LA VIANDE

⚠ MISE EN GARDE

RISQUE DE BRÛLURE

- Utiliser des gants de cuisine pour retirer la sonde.
- Ne pas toucher l'élément de grillage.
- Le non-respect de ces précautions peut entraîner des brûlures.



La sonde à viande surveille la température interne des aliments, qui est souvent utilisée comme indicateur de cuisson, en particulier pour les viandes et les volailles, et éteint le four lorsque la température interne des aliments atteint la température programmée.

La sonde à viande fonctionne avec tous les modes de cuisson, à l'exception des modes « tiède », « sabbat » et « autonettoyant ».

IMPORTANT: Toujours débrancher la sonde pour la viande et la retirer du four lors du retrait des aliments.

POUR UTILISER LA SONDE POUR LA VIANDE :

- 1 Insérer la sonde dans les aliments.

REMARQUE : Pour les viandes, la pointe de la sonde doit être insérée au centre de la partie la plus épaisse de la viande. Vérifier que la pointe de la sonde ne soit pas dans la graisse et ne touche pas l'os.

- 2 Placer les aliments dans le four. En maintenant la sonde pour la viande aussi éloignée que possible d'une source de chaleur, insérer la sonde pour la viande sur la prise du four. Fermer la porte du four.
- 3 Appuyer sur **MEAT PROBE**. Sélectionner le mode du four, entrer la température désirée et appuyer sur **START**.

USTENSILES

- Les plats de cuisson en verre absorbent la chaleur. Réduire la température du four de 25 degrés pour la cuisson en verre.
- Utiliser des poêles qui permettent d'obtenir la coloration souhaitée. Le type de finition de la poêle contribuera à déterminer l'importance du brunissement.
 - Les poêles en métal brillant et lisse ou les poêles antiadhésives/anodisées légères réfléchissent la chaleur, ce qui permet d'obtenir un brunissement plus léger et plus délicat. Les gâteaux et les biscuits nécessitent ce type d'ustensile.
 - Les poêles foncées, rugueuses ou ternes, absorbent la chaleur, ce qui donne une croûte plus brune et plus croustillante. Utiliser ce type de poêle pour les tartes.
- Ne pas cuisiner avec la lèchefrite vide dans le four, car cela pourrait affecter les performances de cuisson. Ranger la lèchefrite à l'extérieur du four.

GRILLES DU FOUR

IMPORTANT : Pour éviter d'endommager définitivement la finition de la porcelaine, placer les aliments ou les ustensiles de cuisson sur une grille de four. Ne pas placer d'aliments ou d'ustensiles de cuisson directement sur la porte ou la sole du four.

- Les grilles du four peuvent être placées dans l'une des six positions de hauteur du four.
- Positionner les grilles avant d'allumer le four.
- S'assurer que les grilles du four sont à niveau.
- Les grilles de four sont munies d'une butée qui les empêche de se retirer complètement de façon involontaire.

POUR RETIRER LES GRILLES DU FOUR :

- Tirer la grille jusqu'à la position d'arrêt, soulever le bord avant, puis la retirer.

POUR REPLACER LES GRILLES DU FOUR :

- Placer la grille du four sur les supports métalliques le long des côtés du four. Incliner légèrement le bord avant vers le haut et faire glisser la grille vers l'arrière jusqu'à ce qu'elle atteigne la position d'arrêt. Abaisser la façade et faire glisser la grille dans le four.

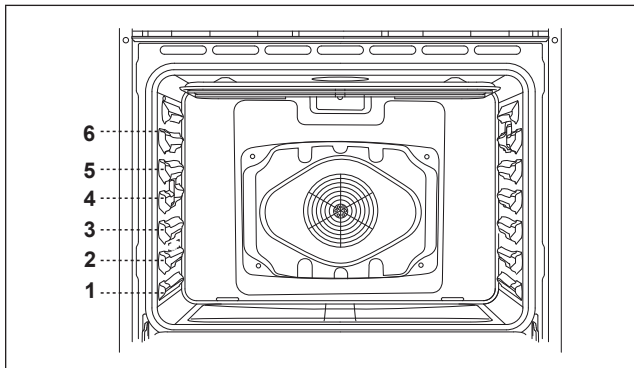
REMARQUE : La grille de glissement fournie avec le four est également disponible à la vente. Se référer au modèle SKWR30A0FC si vous souhaitez acheter d'autres grilles de glissement.

VENTILATEUR DE REFROIDISSEMENT DES COMPOSANTS

Le ventilateur de refroidissement s'active pendant tout mode de cuisson ou d'autonettoyage pour refroidir les composants internes et les surfaces extérieures de la porte. Cet air est évacué par l'évent situé au-dessus de la porte du four. Il continue à fonctionner jusqu'à ce que les composants aient suffisamment refroidi. Le ventilateur de refroidissement fonctionne à double vitesse (ou tours/minute) lors de l'autonettoyage et lorsque la température des composants internes devient élevée.

POSITIONS DES GRILLES

Pour de meilleures performances, positionner les grilles de façon à ce que les aliments soient placés au centre du four. Pour la plupart des aliments, la meilleure position de la grille est la position centrale, la quatrième en partant du bas. Pour les aliments plus volumineux, tels que les rôtis ou les dindes, utiliser une position plus basse. Lors du rôtissage, les aliments doivent être placés près de l'élément de grillage, dans l'une des deux positions supérieures de la grille. Lors de l'utilisation de plusieurs grilles simultanément, répartir les aliments autour du centre du four.



CONVERSION À LA CONVECTION

CONVERSION À LA CONVECTION peut être utilisé pour convertir de la cuisson conventionnelle à la cuisson par convection. Cette fonction convertit automatiquement la température de cuisson et la durée de cuisson en réglages de cuisson recommandés.

En conséquence, la température de cuisson est plus basse et le temps de cuisson est plus court. Les options qui peuvent être sélectionnées comprennent MEATS (viandes), BAKED GOODS (pâtisseries) ou ALL OTHERS (toute autre).

REMARQUES:

- Pour utiliser le mode Convection Conversion (conversion à la convection), entrer la température et la durée de cuisson normales.
- La porte du four doit être fermée lorsqu'on utilise la fonction conversion à la convection.

CONVECTION CONVERSION est situé sur l'écran principal de la section Four supérieur.

POUR CUISINER AVEC CONVERSION PAR CONVECTION :

- 1 Sélectionnez l'option de cuisson (Viandes, Produits de boulangerie ou Tous les autres).
- 2 Sélectionnez le temps et la température de cuisson. Appuyez sur **START**.
- 3 Le préchauffage commencera. Une fois le four préchauffé à la température réglée, la commande émettra un bip. Placez les aliments dans le four et fermez la porte du four. Appuyez sur **START**.
- 4 À la fin du temps de cuisson réglé, le four s'éteindra automatiquement. La tonalité d'alerte retentira et **COOKING COMPLETE** apparaîtra sur l'écran.
- 5 Appuyez sur **CANCEL** lorsque vous avez terminé et retirez les aliments du four.

PORTE DU FOUR

Pour éviter que la vitre de la porte du four ne se brise :

- Ne pas fermer la porte du four si les grilles ne sont pas complètement insérées dans la cavité du four ou si des produits de boulangerie dépassent le bord avant d'une grille du four.
- Ne pas poser d'objet sur la partie en verre de la porte du four.
- Ne pas frapper les surfaces en verre avec des ustensiles de cuisson ou d'autres objets.
- Ne pas essuyer les surfaces en verre tant que le four n'a pas complètement refroidi.

ÉVÉNEMENTS DU FOUR

Le fait d'obstruer ou de couvrir les événements du four entraîne une mauvaise circulation de l'air, ce qui affecte les résultats de cuisson, de nettoyage et de refroidissement.

- Les événements supérieur et inférieur du four permettent à l'air frais de pénétrer dans le système de refroidissement.
- L'événement inférieur du four permet également d'évacuer l'air chaud du système de refroidissement.

CONDENSATION ET TEMPÉRATURE DU FOUR

- Il est normal qu'une certaine quantité d'humidité s'évapore des aliments au cours du processus de cuisson. La quantité dépend de la teneur en eau de l'aliment.
- L'humidité peut se condenser sur toute surface plus froide que l'intérieur du four, comme le panneau de commande.
- Votre nouveau four est équipé d'un capteur de température électronique qui permet de maintenir une température précise. Votre ancien four était peut-être équipé d'un thermostat mécanique qui augmentait progressivement la température au fil du temps. Il est normal de devoir adapter vos recettes préférées lors de la cuisson dans un nouveau four.

UTILISATION DU FOUR MICRO-ONDES TIROIR

GÉNÉRAL

ABSORPTION DE L'ÉNERGIE DES MICRO-ONDES

Lorsque le four à micro-ondes est utilisé, il faut TOUJOURS avoir des aliments dans la cavité pour absorber l'énergie des micro-ondes. Le four à micro-ondes est pour la préparation de nourriture seulement. Il ne devrait pas être utilisé pour faire sécher des vêtements ou des journaux.

OUVRIR ET FERMER AVEC PRÉCAUTION

Lors de l'ouverture et de la fermeture du four à micro-ondes tiroir Sharp Microwave Drawer™ rapidement, les aliments dans le four à micro-ondes peuvent se répandre. Voir NETTOYAGE ET ENTRETIEN à la page 21.

UN EXTÉRIEUR CHAUD EST NORMAL

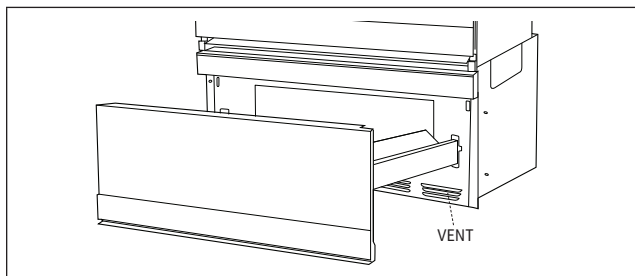
Il est normal que l'extérieur du four soit chaud au toucher lors de la cuisson ou du réchauffage.

LA CONDENSATION EST NORMALE

Il est normal que l'utilisation du four à micro-ondes produise de la condensation, dont la quantité dépend de la teneur en eau des aliments et de l'humidité de la pièce.

NE PAS BLOQUER LES ÉVÉNEMENTS

NE JAMAIS couvrir ou obstruer les événements au-dessus et en dessous de l'appareil. Pendant l'utilisation du four à micro-ondes, de la vapeur peut s'échapper de l'ouverture d'aération inférieure sur la gauche. Vérifier la zone de l'événement après chaque utilisation et l'essuyer si nécessaire.



LE CYCLE DU MAGNÉTRON EST NORMAL

On peut entendre le magnétron s'allumer et s'éteindre pendant l'utilisation du four à micro-ondes avec des niveaux de puissance inférieurs à 100 %.

NIVEAU DE PUISSANCE

There are eleven preset power levels. Using lower power levels it has eleven preset power levels. En utilisant des niveaux de puissance moins élevés, le temps de cuisson est augmenté, ce qui est recommandé pour les aliments comme le fromage, le lait et les viandes à cuisson lente. Consulter un livre de cuisson ou de recette au micro-ondes pour des recommandations spécifiques.

TABLEAU DES NIVEAUX DE PUISSANCE

Pour régler le niveau de puissance, faites défiler les niveaux de 0 % de puissance à 100 % de puissance.

NIVEAUX DE PUISSANCE	USAGE RECOMMANDÉ
100 %	faire revenir les aliments, faire bouillir les liquides ou cuire le poisson, les viandes hachées, le bacon et les légumes
90 %	
80 %	
70 %	cuire doucement les viandes et les volailles, cuire les plats cuisinés et les plats préparés, sauter ou réchauffer les aliments
60 %	
50 %	cuisson lente ou braisée
40 %	
30 %	décongeler des aliments, faire mijoter des liquides ou cuire des sauces délicates
20 %	
10 %	chauffer les pains ou ramollir le beurre, le fromage ou le chocolat
0 %	

CUISSON AU MICRO-ONDES

DISPOSER SOIGNEUSEMENT LES ALIMENTS

Placer les parties les plus épaisses des aliments vers l'extérieur du plat.

REGARDER LE TEMPS DE CUISSON

Lorsque des recettes ou des instructions de l'emballage sont suivies, vérifier la cuisson des aliments une ou deux minutes avant le temps minimum et ajouter du temps si nécessaire.

RECOUVRIR LA NOURRITURE PENDANT LA CUISSON

Les couvercles empêchent les éclaboussures et aident les aliments à cuire plus uniformément. Consulter les livres de cuisine et les recettes pour connaître les couvertures suggérées, telles que les serviettes en papier, le papier ciré, le film plastique résistant aux micro-ondes ou les couvercles. Se reporter à USTENSILES POUR LE MICRO-ONDES à la page 19.

REMUER RÉGULIÈREMENT LES ALIMENTS

Remuer les aliments une ou deux fois pendant la cuisson. Dans la mesure du possible, remuer de l'extérieur vers le centre du plat.

RETOURNER LES ALIMENTS

Retourner les aliments tels que le poulet et les hamburgers au moins une fois pendant la cuisson pour accélérer la cuisson. Les gros articles comme les rôtis doivent être tournés au moins une fois.

RÉORGANISER LES ALIMENTS

Remuer pour replacer les aliments comme les boulettes de viande en mi-cuisson, en les déplaçant du haut vers le bas et de gauche à droite.

UTILISATION DU FOUR MICRO-ONDES TIROIR

AJOUTER DU TEMPS DE REPOS

Le temps de repos permet de terminer la cuisson sans trop cuire les aliments. Après la cuisson au micro-ondes, retirer les aliments, les remuer si possible et les couvrir pour qu'ils reposent.

VÉRIFIER LA CUISSON

Vérifier si les températures de cuisson ont été atteintes. Les différents moyens de vérifier la température sont :

- les vapeurs qui sortent de tout l'aliment, pas seulement en périphérie;
- le centre du dessous du plat est très chaud au toucher;
- les articulations de la volaille se déplacent facilement
- la viande ou la volaille n'est plus de couleur rosée ou rouge
- le poisson est opaque et se défait facilement à la fourchette

Utiliser un thermomètre à viande pour vérifier si les aliments sont cuits à la température de sécurité. Se reporter à SÉCURITÉ ALIMENTAIRE à la page 8.

SÉCURITÉ AVEC LE MICRO-ONDES

⚠ MISE EN GARDE LE CONTENU CHAUD PEUT PROVOQUER DE GRAVES BRÛLURES. NE PAS LAISSER LES ENFANTS UTILISER LE FOUR À MICRO-ONDES. Faire preuve de prudence lors du retrait des objets chauds. Pour éviter les déversements et les brûlures, toute personne utilisant l'appareil doit pouvoir l'atteindre confortablement. Toute personne qui utilise un four à micro-ondes peut le faire en toute sécurité si elle comprend et prend les mesures de sécurité nécessaires, y compris les suivantes.

TOUJOURS UTILISER DES POIGNÉES

Utiliser des poignées pour éviter les brûlures lors de la manipulation des ustensiles qui sont en contact avec la nourriture chaude. La quantité de chaleur plus élevée dans les aliments peut se transférer aux ustensiles et provoquer des brûlures à la peau.

ÉVITER LES BRÛLURES DE VAPEUR

Diriger la vapeur en direction opposée de votre visage et de vos mains. Soulever lentement le rebord le plus éloigné du couvert d'un plat et ouvrir avec précautions les sacs de cuisson et de maïs soufflé au micro-ondes, le plus loin possible du visage.

SURVEILLER LA CUISSON

Rester à proximité de l'appareil lorsqu'il est en marche et vérifier fréquemment la progression de la cuisson pour éviter de trop cuire les aliments.

MANIPULER SOIGNEUSEMENT LES ALIMENTS

Sélectionner, ranger et manipuler les aliments avec soins pour préserver leur grande qualité et minimiser la propagation des bactéries alimentaires.

NON DESTINÉ À L'ENTREPOSAGE

Ne JAMAIS utiliser le four à micro-ondes pour ranger des livres de cuisine ou autres articles.

USTENSILES POUR LE MICRO-ONDES

USTENSILES

It is not necessary to buy all new cookware for microwave. Il n'est pas nécessaire d'acheter de nouveaux ustensiles de cuisine pour la cuisson au micro-ondes. Plusieurs éléments déjà présents dans votre cuisine peuvent être utilisés dans votre four à micro-ondes Sharp Microwave Drawer™.

Afin de vérifier si un plat peut aller au micro-ondes, placer le plat vide dans le four à micro-ondes tiroir Sharp Microwave Drawer™ et le mettre en marche au réglage ÉLEVÉ pendant 30 secondes. Un plat qui devient très chaud ne convient pas à la cuisson au micro-ondes.

USTENSILES SÛRS	NE PAS UTILISER
<ul style="list-style-type: none">• vitrocéramique• verre résistant à la chaleur• plastiques allant au micro-ondes• assiette en papier allant au micro-ondes• poterie, grès et porcelaine allant au micro-ondes• plat de brunissage*• bois, paille et osier†	<ul style="list-style-type: none">• casseroles et ustensiles de pâtisserie en métal• plats avec des bordures en métal• verre non résistant à la chaleur• plastiques n'allant pas au micro-ondes• produits de papier recyclé• sacs de papier brun• sacs d'entreposage des aliments• attaches torsadées métalliques• papier d'aluminium
* IMPORTANT Ne pas dépasser le temps de préchauffage recommandé pour le plat à dorer.	
† IMPORTANT Ne cuisiner que des aliments à faible teneur en graisses et en sucres dans du bois, de la paille et de l'osier.	

COUVERCLES POUR LE MICRO-ONDES

Utiliser des couvercles pour empêcher les éclaboussures et aider les aliments à cuire plus uniformément. Il existe plusieurs couvercles différents pour répondre à des besoins uniques. Les couvercles résistants aux micro-ondes maintiennent la chaleur près des aliments, ce qui accélère la cuisson. Les sacs de cuisson au four peuvent être utilisés pour attendrir les grosses viandes. Consulter les livres de cuisine et les recettes pour obtenir d'autres suggestions de couverture.

COUVERCLES SÉCURITAIRES	NE PAS UTILISER
<ul style="list-style-type: none">• papier essuie-tout• papier ciré• pellicule plastique allant au micro-ondes*• au micro-ondes• sacs de cuisson au four	<ul style="list-style-type: none">• papier essuie-tout recyclé• pellicule plastique n'allant pas au micro-ondes• couvercles en métal ou avec garniture métallique• liens torsadés sur les sacs de cuisson
* IMPORTANT Aérer la pellicule plastique et les sacs de cuisson au four pour permettre à la vapeur de s'échapper. Ne pas laisser la pellicule plastique entrer en contact avec la nourriture.	

UTILISATION DU FOUR MICRO-ONDES TIROIR

ACCESSOIRES

Il existe plusieurs accessoires pour la cuisson au micro-ondes que l'on peut acheter chez les détaillants. Avant d'acheter des accessoires, évaluer soigneusement s'ils répondent à vos besoins. Un thermomètre adapté aux micro-ondes indique si les aliments ont été cuits à des températures sûres. Sharp n'est pas responsable des dommages à l'appareil provoqué par l'utilisation d'accessoires inadéquats.

POUR PLUS DE RECOMMANDATIONS

Un bon livre de cuisine pour micro-ondes peut fournir des principes, des techniques, des conseils et des recettes pour la cuisson au four à micro-ondes.

ALIMENTS AU FOUR À MICRO-ONDES

ALIMENTS	À FAIRE	À NE PAS FAIRE
Œufs, saucisses, fruits et légumes	<ul style="list-style-type: none">• Percer les jaunes d'œufs avant la cuisson pour empêcher l'éclatement.• Percer la pelure des pommes de terre, des pommes, des courges, la partie qui recouvre les saucisses à hot-dog et les saucisses régulières pour faire évacuer la vapeur.	<ul style="list-style-type: none">• NE PAS cuire des œufs entiers dans la coquille.• NE PAS réchauffer les œufs entiers.• NE PAS effectuer le séchage des noix et des graines avec des cosses.
Popcorn	<ul style="list-style-type: none">• Utiliser du maïs à éclater spécialement conditionné pour la cuisson au micro-ondes.• Écouter l'éclatement du maïs ralentir à 1 ou 2 secondes entre les éclatements pour éviter une cuisson excessive.	<ul style="list-style-type: none">• NE PAS faire éclater du maïs dans des sacs en papier brun régulier ou des bols en verre.• NE PAS dépasser le temps de cuisson maximum indiqué dans les instructions de l'emballage.
Aliments pour bébé	<ul style="list-style-type: none">• Transférer les aliments pour bébé dans des plats plus petits et chauffer avec précautions, en remuant souvent.• Vérifier la température avant de servir. Tester la température des bouteilles sur votre poignet avant de les servir.• Fixer les tétines aux biberons APRÈS le chauffage. Bien mélanger avant de servir.	<ul style="list-style-type: none">• NE PAS chauffer les bouteilles jetables.• NE PAS chauffer les biberons munis d'une tétine.• NE PAS chauffer des aliments pour bébé dans le plat original.
Général	<ul style="list-style-type: none">• Couper les produits de boulangerie fourrés après les avoir chauffés pour libérer la vapeur.• Remuer vivement les liquides avant et après les avoir réchauffés pour éviter les éclaboussures.• Utiliser un bol profond lors de la cuisson des liquides ou des céréales pour prévenir les débordements par bouillonnement. Se référer à la hauteur des parois latérales du four à micro-ondes tiroir Sharp Microwave Drawer™.	<ul style="list-style-type: none">• NE PAS chauffer ou cuire dans des bocaux en verre fermé ou des contenants hermétiques.• NE PAS utiliser le micro-ondes pour la mise en conserve, car les bactéries nocives peuvent ne pas être détruites.• NE PAS faire frire dans le four à micro-ondes.• NE PAS sécher du bois, des courges, des herbes ou des essuie-tout humides.

NETTOYAGE GÉNÉRAL DU FOUR

IMPORTANT : Avant de procéder au nettoyage, vérifier que toutes les commandes sont éteintes et que le four est froid. Toujours suivre les instructions imprimées sur l'étiquette des produits de nettoyage.

MÉTHODES DE NETTOYAGE

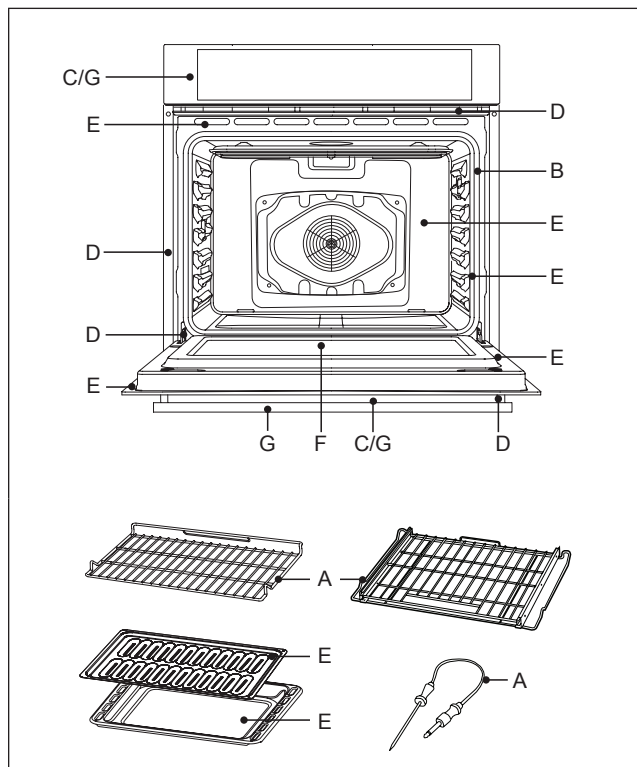
L'ensemble du four peut être nettoyé en toute sécurité à l'aide d'une éponge savonneuse, puis rincé et séché. Si la saleté reste tenace, suivre les méthodes de nettoyage recommandées ci-dessous.

- Utiliser toujours le nettoyant le plus doux possible.
- Frotter les finitions métalliques dans le sens du grain.
- Utiliser des chiffons, des éponges ou des essuie-tout propres et doux.
- Rincer abondamment avec un minimum d'eau afin qu'elle ne coule pas dans les fentes de la porte.
- Sécher pour éviter les traces d'eau.

Toujours verrouiller les commandes de l'écran tactile avant de nettoyer le panneau de commande. Activer le verrouillage des commandes dans le menu Paramètres. Les nettoyants énumérés ci-dessous indiquent des types de produits à utiliser et ne sont pas recommandés. Utiliser tous les produits conformément aux instructions figurant sur l'emballage.

PIÈCES DU FOUR

Le tableau des PIÈCES DU FOUR du four ci-dessous indique la méthode de nettoyage à utiliser. Se référer au tableau des MÉTHODES DE NETTOYAGE.



MÉTHODES DE NETTOYAGE

MATÉRIEL	MÉTHODES DE NETTOYAGE
A Chromé	Laver à l'eau chaude et savonneuse. Rincer abondamment et sécher. Ou frotter délicatement avec des tampons Soft Scrub®, Bon-Ami®, Comet®, Ajax®, Brillo® ou S.O.S.® en suivant le mode d'emploi. Les nettoyants pour four Easy Off® ou Dow® (formule pour four froid) peuvent être utilisés, mais ils peuvent provoquer un assombrissement et une décoloration.
B Fibre de verre tissé	NE PAS NETTOYER LE JOINT À LA MAIN
C Verre	Vaporiser d'abord du Windex® ou Glass Plus® sur un chiffon, puis l'essuyer pour le nettoyer. Utiliser du Fantastik® ou Formula 409® pour éliminer les éclaboussures de graisse.
D Peint	Nettoyer à l'eau chaude ou appliquer du Fantastik® ou Formula 409® sur une éponge ou un essuie-tout propre et essuyer. Éviter d'utiliser des nettoyants en poudre et des tampons en laine d'acier.
E Porcelaine	Essuyer immédiatement les liquides acides comme le jus de fruits, le lait et les tomates avec une serviette sèche. Ne pas utiliser d'éponge/serviette humide sur la porcelaine chaude. Une fois refroidis, nettoyer à l'eau chaude savonneuse ou appliquer du Bon-Ami® ou Soft Scrub® sur une éponge humide. Rincer et sécher. Pour les taches tenaces, utiliser délicatement les tampons Brillo® ou S.O.S.®. Il est normal que la porcelaine se craquelle (fines lignes) avec l'âge en raison de l'exposition à la chaleur et aux salissures alimentaires.
F Verre réfléchissant	Nettoyer avec de l'eau chaude savonneuse et une éponge ou une brosse en plastique. Frotter les taches tenaces avec du vinaigre, du Windex®, de l'ammoniaque ou du Bon-Ami®. NE PAS UTILISER DE PRODUITS ABRASIFS DURS.
G Acier inoxydable	Toujours essuyer ou frotter avec le grain. Nettoyer avec une éponge savonneuse, puis rincer et sécher. Il est également possible de l'essuyer avec du Fantastik® ou Formula 409® vaporisé sur un essuie-tout. Protéger et polir avec du Stainless Steel Magic® et un chiffon doux. Enlever les taches d'eau avec un chiffon imbibé de vinaigre blanc. Utiliser Zud®, Cameo®, Bar Keeper's Friend® ou RevereWare Stainless Steel Cleaner® pour éliminer les décolorations dues à la chaleur.

NETTOYAGE ET ENTRETIEN

AUTONETTOYAGE AUTOMATIQUE

⚠ MISE EN GARDE

RISQUE DE BRÛLURE

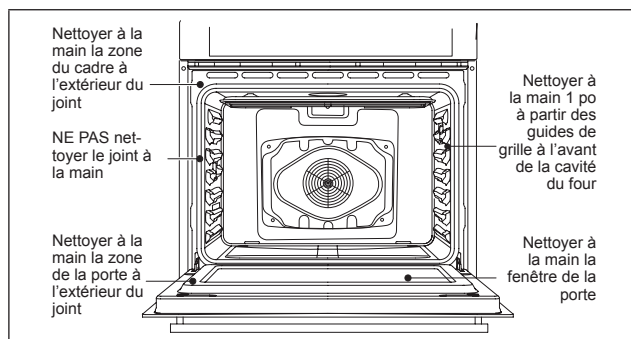


- Ne pas toucher le four pendant le cycle d'autonettoyage.
- Tenir les enfants à l'écart du four pendant le cycle d'autonettoyage.
- Le non-respect de ces précautions peut entraîner des brûlures.

Ce four est doté d'une fonction d'autonettoyage qui élimine la nécessité de frotter manuellement l'intérieur du four. Au cours d'un cycle d'autonettoyage, le four utilise des températures très élevées, réduisant la saleté en cendres poudreuses.

IMPORTANT : La santé de certains oiseaux est extrêmement sensible aux fumées émises pendant le cycle d'autonettoyage. L'exposition aux fumées peut entraîner la mort de certains oiseaux. Il faut toujours déplacer les oiseaux dans une autre pièce fermée et bien ventilée.

- Pendant le cycle d'autonettoyage, garder la cuisine bien ventilée pour aider à se débarrasser de la chaleur, des odeurs et de la fumée.
- Il est courant de voir de la fumée et/ou un embrasement occasionnel pendant le cycle d'autonettoyage, en fonction de la teneur et de la quantité de saleté restant dans le four. Si une flamme persiste, éteindre le four et le laisser refroidir avant d'ouvrir la porte pour essuyer les salissures alimentaires excessives.
- Ne pas bloquer les événements du four pendant le cycle d'autonettoyage. L'air doit pouvoir circuler librement.
- Ne pas nettoyer, frotter, endommager ou déplacer le joint de la porte du four.
- Le verrou de la porte est automatiquement activé après avoir sélectionné le cycle d'autonettoyage. Cela permet de s'assurer que la porte du four ne peut pas être ouverte lorsque l'intérieur du four est à des températures de nettoyage.
- Les temps de nettoyage suggérés sont de deux heures pour les salissures légères et entre trois et trois heures et demie pour les salissures importantes.
- Le cycle d'autonettoyage s'arrête automatiquement à la fin de la durée de nettoyage programmée.
- Lorsque la chaleur du four descend à une température sûre, le verrouillage automatique de la porte se débloque et la porte peut être ouverte.
- L'éclairage du four ne fonctionne pas pendant un cycle d'autonettoyage.
- Retirer les grilles avant de lancer un cycle d'autonettoyage. Les grilles laissées en place pendant un cycle d'autonettoyage perdront leur aspect brillant et prendront définitivement une couleur gris métallique.



CYCLE D'AUTONETTOYAGE

Il est recommandé d'attendre au moins 24 heures entre les cycles de nettoyage.

POUR EFFECTUER L'AUTONETTOYAGE :

Ouvrir le menu **SETTINGS** et appuyer sur **Oven Self-Clean**. Suivre les instructions à l'écran.

ENLÈVEMENT DE LA PORTE DU FOUR

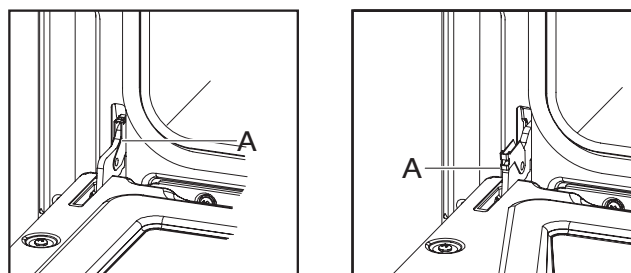
Pour une utilisation normale du four, il n'est pas nécessaire de retirer la porte du four. Toutefois, s'il s'avère nécessaire d'enlever la porte, suivre les instructions de cette section.

IMPORTANT :

- Vérifier que le four est refroidi et que l'alimentation électrique a été coupée avant de retirer la porte.
- La porte du four est lourde et fragile, et la façade de la porte est en verre. Pour éviter de briser la vitre de la porte du four, utiliser les deux mains et ne saisir que les côtés de la porte du four pour la retirer. Ne pas saisir la poignée.
- Vérifier que les deux leviers sont bien en place avant de retirer la porte.
- Ne pas forcer l'ouverture ou la fermeture de la porte.

POUR RETIRER LA PORTE DU FOUR :

- 1 Ouvrir la porte complètement.
- 2 Relever le verrou de la charnière de chaque côté.

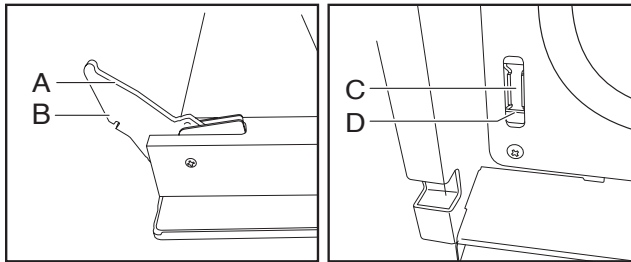


A – Support de la charnière

- 3 En tenant fermement la porte, fermer complètement la porte du four.
- 4 En saisissant les deux côtés, soulever la porte du four tout en la poussant vers le bas, puis l'écarter du cadre de la porte.
- 5 Placer la porte dans un endroit protégé.

POUR REPLACER LA PORTE DU FOUR :

- 1 En tenant fermement la porte, insérer les bras supérieurs des deux charnières dans les fentes. Les encoches doivent s'accrocher aux lèvres.



A – Bras supérieur
B – Encoches

C – Fentes
D – Lèvre

- 2 Ouvrir la porte du four.

REMARQUE : Un clic doit se faire entendre lorsque la porte est correctement mise en place.

- 3 Ramener le verrou de la charnière de chaque côté en position verrouillée.
- 4 Ouvrir et fermer la porte pour vérifier qu'elle fonctionne librement. Si ce n'est pas le cas, répéter la procédure de retrait et de remplacement de la porte.
- 5 Fermer et ouvrir lentement la porte pour s'assurer qu'elle est correctement et solidement en place.

REMPACEMENT DE LA LUMIÈRE DU FOUR

⚠ MISE EN GARDE

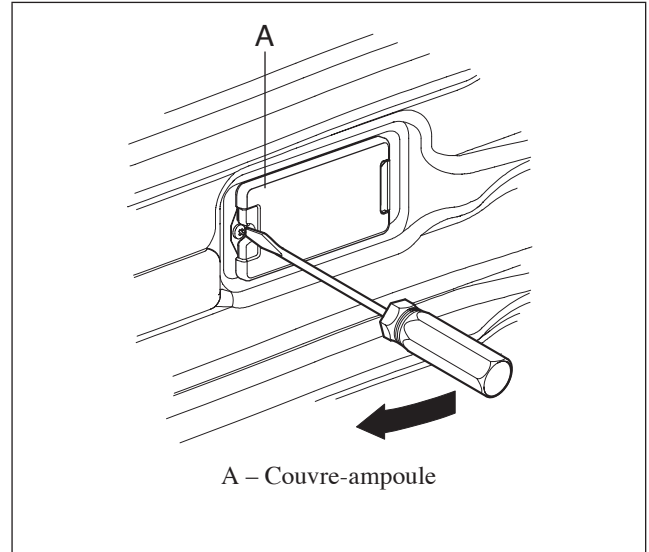


RISQUE D'ÉLECTROCUTION

- Vérifier que les ampoules et le four sont froids et que l'alimentation du four a été coupée avant de remplacer la ou les ampoules.
- Les lentilles doivent être en place lors de l'utilisation du four. Les lentilles servent à protéger l'ampoule contre la casse.
- Les lentilles sont en verre. Manipuler avec précaution pour éviter les cassures.
- Le non-respect de cette consigne peut entraîner la mort, des décharges électriques ou des blessures graves.

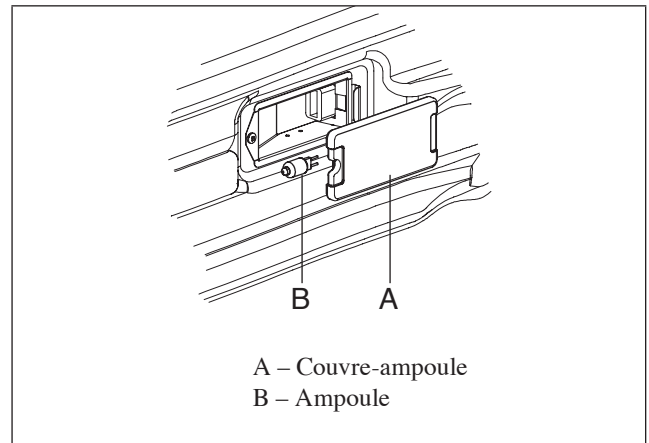
La lumière du four est une ampoule standard de 25 watts (G9).

- 1 Déconnecter le courant à l'alimentation principale (boîte à fusibles ou à disjoncteurs).
- 2 À l'aide d'un tournevis à tête Phillips, retirer la vis et enlever le couvercle.



A – Couver-ampoule

- 3 Retirer l'ampoule grillée de la douille.



A – Couver-ampoule
B – Ampoule

REMARQUE : Pour éviter d'endommager l'ampoule neuve ou de réduire sa durée de vie, ne pas la toucher avec les doigts nus. Porter des gants de coton ou utiliser un mouchoir en papier pour remplacer l'ampoule.

- 4 Remplacer l'ampoule et remettre le couvercle en place.
- 5 Reconnecter le courant à l'alimentation principale (boîte à fusibles ou à disjoncteurs).

NETTOYAGE ET ENTRETIEN

ENTRETIEN DU FOUR À MICRO-ONDES

EXTÉRIEUR

La surface extérieure est en métal et en plastique prélaqué. Nettoyer l'extérieur avec du savon doux et de l'eau, puis sécher avec un linge doux. N'utiliser aucun type de nettoyant ménager ou abrasif.

SURFACE EN ACIER INOXYDABLE

L'extérieur doit être essuyé souvent avec un chiffon doux humide et poli avec un chiffon sec et doux pour maintenir son éclat. Il y a aussi une variété de produits conçus spécialement pour nettoyer et polir l'extérieur en acier inoxydable du four. Nous recommandons que le nettoyant soit appliqué avec un linge doux et étendu sur l'extérieur en acier inoxydable au lieu d'être vaporisé directement sur la surface. Respecter les directives du produit de nettoyage.

FACE AVANT DU TIROIR

Essuyer la fenêtre des deux côtés avec un linge doux humide pour enlever les éclaboussures et les débordements. Les pièces de métal seront plus faciles à entretenir si elles sont essuyées fréquemment avec un chiffon doux humide. Éviter d'utiliser un vaporisateur et d'autres nettoyants corrosifs, car elles peuvent tacher, laisser des traces ou ternir la surface du four.

COMMANDES DE L'ÉCRAN TACTILE

Essuyer le panneau avec un chiffon doux légèrement imbibé d'eau uniquement, puis l'essuyer avec un chiffon doux et sec. Ne pas récurer ou utiliser de nettoyants contenant des produits chimiques.

INTÉRIEUR

Le nettoyage de l'intérieur est facile parce qu'il n'a aucune chaleur de produite sur les surfaces intérieures, il n'y a pas d'éclaboussures ou de débordements durcis par la cuisson. Pour éviter que le tiroir ne se ferme et ne s'ouvre pendant

le nettoyage, verrouiller le panneau de commande.

Pour nettoyer les surfaces intérieures, y compris les surfaces d'étanchéité des tiroirs, utiliser un chiffon doux et humide. Pour les souillures plus tenaces, utiliser un savon doux; nettoyer avec un chiffon doux humide.

IMPORTANT : NE PAS UTILISER DE NETTOYANTS ABRASIFS OU DURS, DE NETTOYANTS CHIMIQUES POUR FOUR OU DE TAMPONS À RÉCURER.

GUIDES DU TIROIR

Retirer les miettes de nourriture des guides du tiroir. Essuyer avec un chiffon doux et sec pour que le four à micro-ondes tiroir Sharp Microwave Drawer™ s'ouvre et se ferme en douceur.

COUVERCLE DU GUIDE D'ONDES

ATTENTION : Le couvercle du guide d'ondes, situé du côté supérieur du four à micro-ondes tiroir Sharp Microwave Drawer™, est fait de mica. C'est pourquoi il nécessite un entretien particulier. Garder le couvercle de guide d'ondes propre afin d'assurer une bonne performance du micro-ondes. Utiliser un chiffon doux et humide pour essuyer soigneusement toute éclaboussure de nourriture sur la surface du couvercle dès qu'elle se produit. L'accumulation des éclaboussures peut surchauffer et provoquer de la fumée ou même s'enflammer. Ne pas retirer le couvercle du guide d'ondes.

ÉLIMINER LES ODEURS

Une odeur de cuisson peut parfois subsister dans le tiroir du four. Pour éliminer les odeurs, combiner 1 tasse d'eau, le zeste et le jus d'un citron et plusieurs clous de girofle entiers dans une tasse à mesurer (2 tasses) en verre allant au micro-ondes. Faire bouillir pendant plusieurs minutes à une puissance à 100 %. Laisser dans le four micro-ondes Microwave Drawer™ jusqu'à ce que l'eau refroidisse. Essuyer l'intérieur avec un linge doux.

UTILISATION

PROBLÈME	CAUSE POSSIBLE	SOLUTION
L'affichage du four ne s'allume pas.		Couper le courant à l'alimentation principale (boîte à fusibles ou à disjoncteurs). Remettre le disjoncteur en marche. Si la situation persiste, appeler un centre de service agréé.
Le ventilateur de refroidissement continue de fonctionner après l'arrêt du four.	Les éléments du four n'ont pas suffisamment refroidi.	Le ventilateur s'arrête automatiquement lorsque les composants électroniques ont suffisamment refroidi.
La porte du four est verrouillée et ne se déverrouille pas, même après refroidissement.		Éteindre le four au niveau du disjoncteur et attendre quelques secondes. Remettre le disjoncteur en marche. Le four devrait se réinitialiser et fonctionner.
Le four ne chauffe pas.	Le four n'est pas alimenté.	Reconnecter le courant à l'alimentation principale (boîte à fusibles ou à disjoncteurs). Si la situation persiste, appeler un électricien qualifié.
	Le mode ou la température du four n'est pas sélectionné.	Appuyer sur l'option de cuisson du clavier pour sélectionner le mode et la température du four.
Le four ne cuit pas uniformément.	La grille du four n'est pas dans la bonne position.	Se reporter aux tableaux de cuisson à partir de la page 17 pour connaître la position recommandée des grilles.
	Mode cuisson à convection	Toujours réduire la température de la recette de 25° lors de la cuisson en mode convection.
La lumière du four ne fonctionne pas correctement.	L'ampoule est dévissée ou est brûlée.	Remplacer ou réinsérer l'ampoule si elle est lâche ou défectueuse. Le fait de toucher l'ampoule avec les doigts peut la faire griller.
La lumière du four demeure allumée.	La porte du four ne se ferme pas complètement.	Vérifier que la porte du four n'est pas obstruée. Vérifier que les charnières ne sont pas déformées ou que l'interrupteur de la porte n'est pas cassé.
Impossible d'enlever le couvercle de la lentille de l'ampoule.	La lentille est sale.	Il peut y avoir une accumulation de saleté autour du couvercle de la lentille. Essuyer la zone du couvercle de la lentille avec une serviette propre et sèche avant d'essayer de retirer le couvercle de la lentille.
Le four ne s'autonettoie pas correctement.	Le four était encore chaud lorsque le mode de nettoyage a été sélectionné.	Laisser le four refroidir avant de lancer le cycle d'autonettoyage.
	Le four est très sale.	Toujours essuyer les salissures non adhérentes ou les débordements importants avant de lancer le cycle d'autonettoyage. Se reporter à PIÈCES DU FOUR/ MÉTHODES DE NETTOYAGE à la page 21.
		Si le four est très sale, régler le four sur un cycle d'autonettoyage de quatre heures.
L'horloge et la minuterie ne fonctionnent pas correctement.	Le four n'est pas alimenté.	Mettre l'alimentation principale sous tension. Si le problème persiste, appeler un centre de service agréé.
	L'horloge ou la minuterie n'est pas réglée correctement	Se reporter à MINUTERIE DE CUISINE ou AFFICHAGE DES RÉGLAGES à la page 15.
Humidité excessive	Le four n'a pas été correctement préchauffé.	En mode cuisson, préchauffer d'abord le four. La cuisson et le rôtissage par convection éliminent toute humidité dans le four (l'un des avantages de la convection).

DÉPANNAGE

PROBLÈME	CAUSE POSSIBLE	SOLUTION
La porcelaine s'écaille.	Les grilles de four ont été retirées et remises en place de manière incorrecte.	Lorsque les grilles du four sont retirées et remises en place, toujours les incliner vers le haut et ne pas forcer pour éviter d'ébrécher la porcelaine.
Une partie ou l'ensemble des composantes de l'appareil ne fonctionnent pas.	Le cordon d'alimentation n'est pas correctement inséré dans la prise électrique.	S'assurer que le cordon d'alimentation est branché correctement dans la prise de courant.
	Panne de courant	Vérifier le boîtier des lumières pour voir si tout est correct. Appeler votre compagnie d'électricité pour obtenir de l'aide.
	Le tableau de disjoncteurs ou de fusibles de la maison ne fonctionne pas.	Remplacer le fusible ou réinitialiser le disjoncteur.
	Le four est en mode démonstration.	Appuyer + maintenir l'affichage pendant trois secondes pour désactiver le mode démonstration.
Les aliments ne sont pas chauffés.	Il n'y a pas d'alimentation électrique pour l'appareil.	Vérifier le branchement ou s'il y a une panne de courant.
	Les commandes du tiroir ne sont pas réglées correctement.	Vérifier si les commandes ont été correctement réglées.
La lumière du four ne fonctionne pas.	L'ampoule est dévissée ou est brûlée.	Appeler le service.
Les commandes tactiles ne fonctionnent pas.	Le verrouillage des commandes est activé.	Appuyer + maintenir l'affichage pendant trois secondes pour désactiver le mode commandes.
Vapeur provenant de l'évent	Pendant l'utilisation du four à micro-ondes, de la vapeur peut s'échapper de l'évent se trouvant sur le côté droit.	Ceci est normal.

AFFICHAGE D'ERREURS ET CONDITIONS

FOUR À MICRO-ONDES INFÉRIEUR				
NO D'ERREUR	ERROR	AFFICHAGE/ CERCLE	SON	CONDITIONS
EC-001	Erreur du capteur	Rouge + sans clignotement	SONNERIE (son x 10)	Se produit lorsque la cuisson par capteur est interrompue.
EC-002	Erreur de communication	Rouge + sans clignotement		Erreur de disque dur (DISP<=>Tiroir). Les erreurs peuvent être affichées pendant le chauffage et lorsque la touche OPEN/CLOSE (ouvrir/fermer) est enfoncée.
FOUR SUPÉRIEUR				
NO D'ERREUR	ERROR	CERCLE	SON	CONDITIONS
EC-003 (Requis pour vérifier les données du journal dans le nuage.)	Court-circuit TH du four	–	–	Lorsque la température à l'intérieur du FOUR est trop élevée, le chauffage s'éteint. Cette erreur peut également se produire lorsque la thermistance est défectueuse et que l'on croit à tort que la température est élevée alors qu'elle ne l'est pas. Le chauffage reste ÉTEINT en permanence, les aliments ne sont donc pas chauffés.
EC-004	Four TH ouvert	Rouge + sans clignotement	SONNERIE (son x 10)	Le four peut estimer à tort que la température est basse et le chauffage se met en marche en permanence.
EC-005	Court-circuit de la sonde pour la viande	Rouge + sans clignotement		Se produit lorsque la température de la sonde pour la viande devient trop élevée. (Raison possible : La sonde a été préchauffée sans être insérée dans l'aliment/La sonde est défectueuse/etc.) Vous pouvez constater que la sonde à viande est défectueuse ou qu'elle n'est pas bien insérée dans l'aliment.
EC-006	Sonde pour la viande en fonction	Rouge + sans clignotement		Se produit lorsque la sonde pour la viande n'est pas placée dans le four ou si la sonde à viande se détache du FOUR pendant le chauffage.
EC-007	Erreur de verrouillage de la porte (durant le verrouillage et le déverrouillage)	Rouge + sans clignotement		Se produit lorsque l'autonettoyage est lancé et que la porte ne peut pas se verrouiller. Le four attend que la porte soit verrouillée. (Le chauffage ne démarre pas tant qu'il n'est pas verrouillé.)
EC-008	Panneau d'alimentation Défaillance	Rouge + sans clignotement		Le four est en panne. (Défaillance du panneau d'alimentation)
EC-009	Erreur de communication	Rouge + sans clignotement		Erreur matérielle (FOUR) Des erreurs peuvent être affichées pendant le chauffage.
EC-010	Erreur matérielle ACK (tiroir)	Rouge + sans clignotement	SONNERIE (son x 10)	Erreur matérielle (ACK du tiroir). Le jugement d'erreur est effectué lorsque le Wi-Fi est activé. En cas d'erreur matérielle, ce message d'erreur s'affiche.
EC-011	Erreur matérielle ACK (four)	Rouge + sans clignotement		Erreur matérielle (ACK du four). Le jugement d'erreur est effectué lorsque le Wi-Fi est activé. En cas d'erreur matérielle, ce message d'erreur s'affiche.

SHARP[®]

SHARP ÉLECTRONIQUE DU CANADA LTÉE.

335, rue Britannia Est, Mississauga (Ontario) L4Z 1W9 • 877-278-6709