

Find your product and get support



**Europe**  
https://eu.aoc.com/en/support

**Россия**  
https://eu.aoc.com/ru/support

**Australia**  
https://au.aoc.com/user\_manual

**Hong Kong S.A.R.**  
https://hk.aoc.com/user\_manual

**中國台灣**  
https://tw.aoc.com/user\_manual

**Indonesia**  
https://id.aoc.com/user\_manual

**日本**  
https://jp.aoc.com/user\_manual

**한국**  
https://kr.aoc.com/user\_manual

**Malaysia**  
https://my.aoc.com/user\_manual

**Myanmar**  
https://mm.aoc.com/user\_manual

**New Zealand**  
https://nz.aoc.com/user\_manual

**Philippines**  
https://ph.aoc.com/user\_manual

**Singapore**  
https://sg.aoc.com/user\_manual

**ประเทศไทย**  
https://th.aoc.com/user\_manual

**Việt Nam**  
https://vn.aoc.com/user\_manual

**Middle East**  
https://me.aoc.com/user\_manual

**South Africa**  
https://za.aoc.com/user\_manual

**Brasil**  
https://aoc.portaltpv.com.br/

**India**  
https://www.aocindia.com/download\_manuals.php

**US/Canada**  
https://us.aoc.com/en-US/downloads

Printed in China

H41G25M161507A

**AOC GAMING**

**Quick Start**  
25G3ZM/BK

www.aoc.com  
©2022 AOC.All Rights Reserved

**HDMI**  
HIGH DEFINITION MULTIMEDIA INTERFACE

Monitor

Stand

Base

Quick Start

Warranty Card

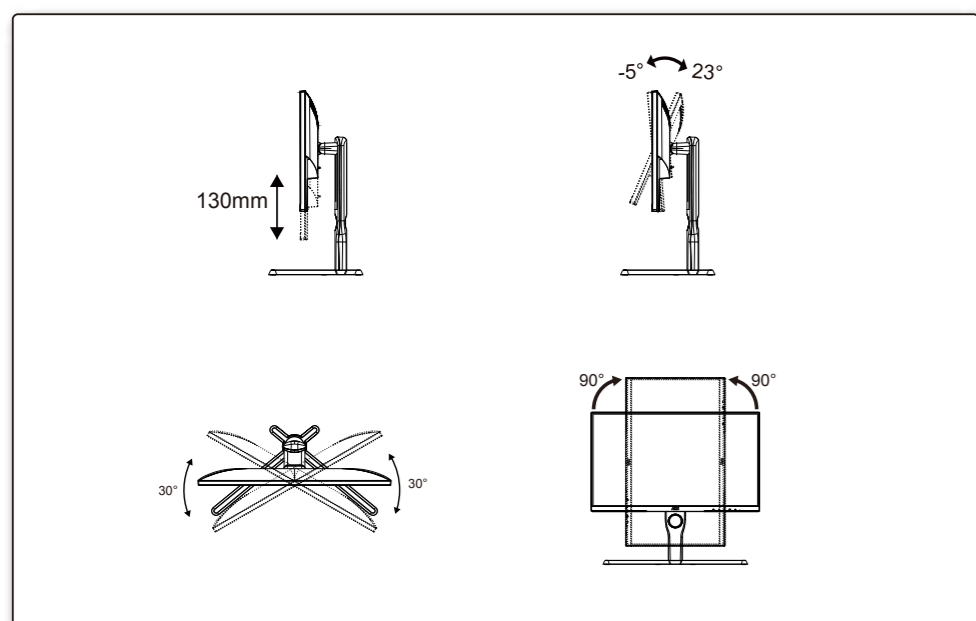
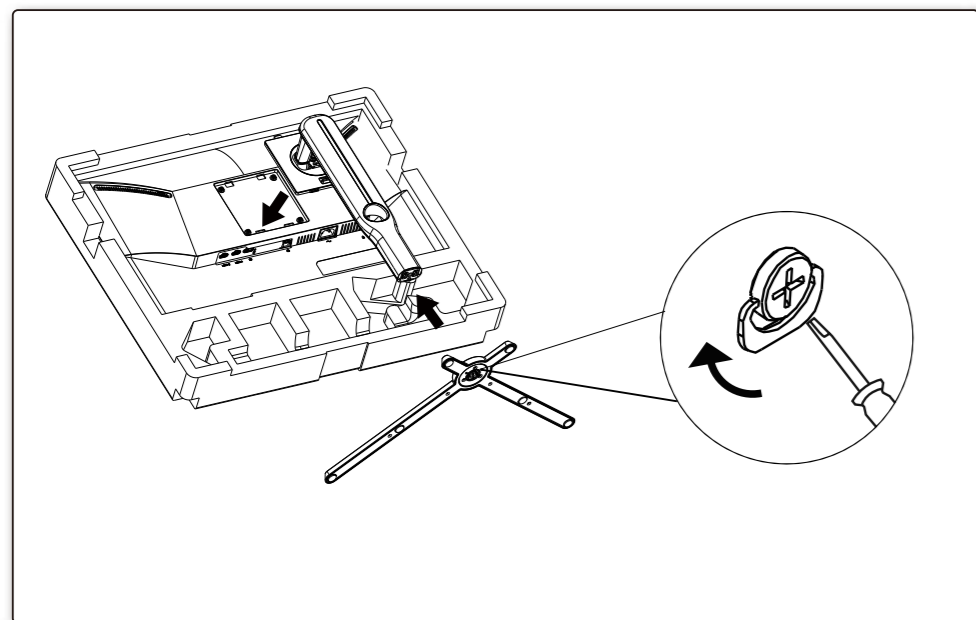
Power Cable

VGA Cable

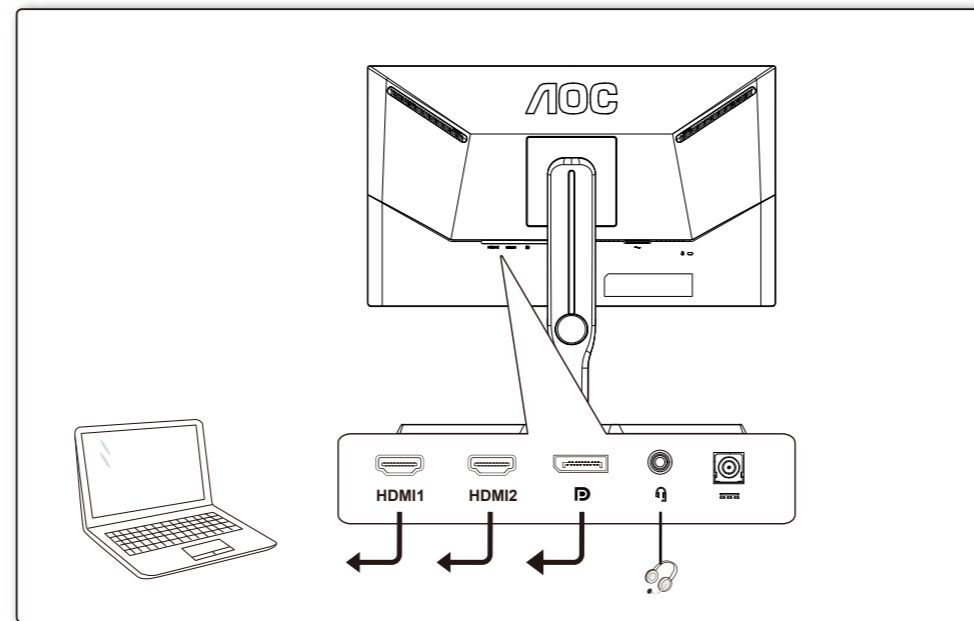
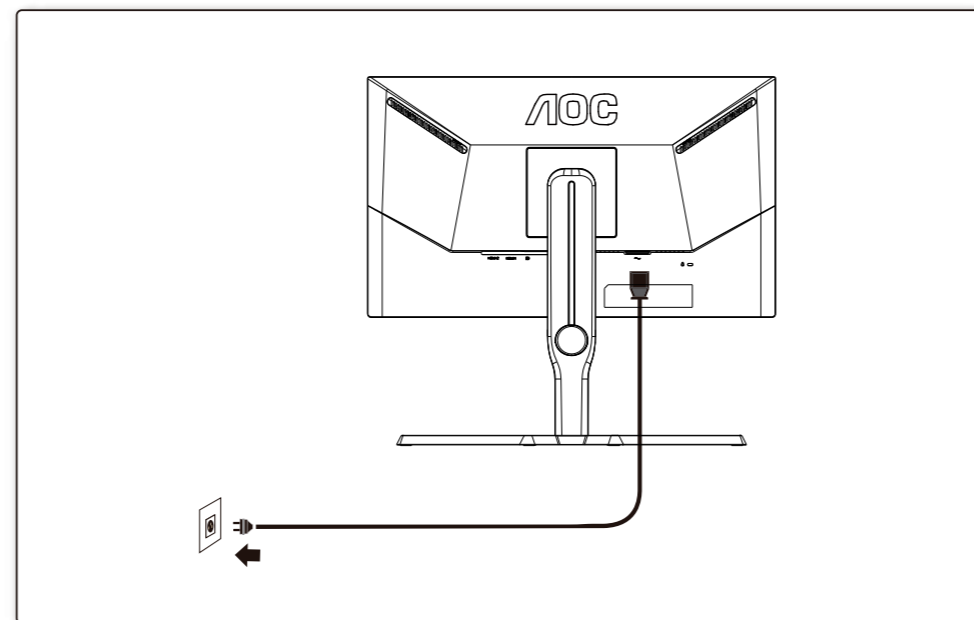
HDMI Cable

\*Different according to countries/regions  
Display design may differ from that illustrated

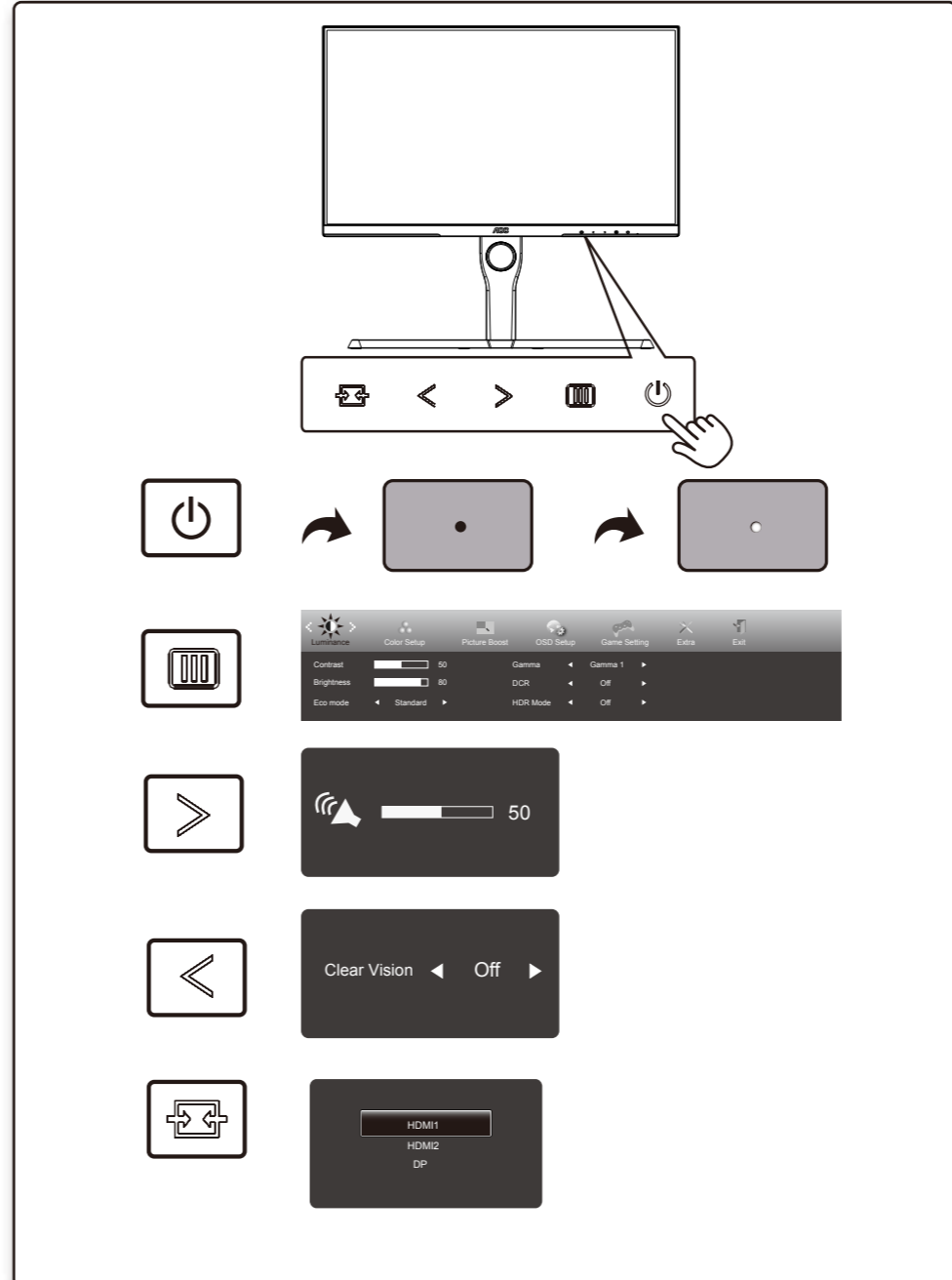
1



2



3



4

General Specification

|                          |                                       |   |                            |
|--------------------------|---------------------------------------|---|----------------------------|
| Panel                    | Model name                            | 25G3ZM/BK                                 |                            |
|                          | Driving system                        | TFT Color LCD                             |                            |
|                          | Viewable image size                   | 62.2 cm diagonal (24.5")                  |                            |
|                          | Pixel pitch                           | 0.2832(H)mm x 0.2802(V)mm                 |                            |
| Others                   | Horizontal scan range                 | 30k-255kHz                                |                            |
|                          | Horizontal scan size(Maximum)         | 543.74mm                                  |                            |
|                          | Vertical scan range                   | 48-240Hz                                  |                            |
|                          | Vertical scan size(Maximum)           | 302.62mm                                  |                            |
|                          | Max resolution                        | 1920x1080@240Hz                           |                            |
|                          | Plug & Play                           | VESA DDC2B/CI                             |                            |
|                          | Power source                          | 100-240V~, 50/60Hz, 1.5A                  |                            |
|                          | Power consumption                     | Typical (default brightness and contrast) | 25W                        |
|                          | Max. (brightness =100, contrast =100) | ≤ 39W                                     |                            |
|                          | Standby mode                          | ≤ 0.3W                                    |                            |
|                          | Dimensions(with stand)                | 557.3x(378~503)x258.8mm(WxHxD)            |                            |
|                          | Net weight                            | 4.24kg                                    |                            |
| Physical characteristics | Connector type                        | HDMI/DP/Earphone out                      |                            |
|                          | Signal cable type                     | Detachable                                |                            |
| Environmental            | Temperature                           | Operating                                 | 0° ~ 40°                   |
|                          |                                       | Non-operating                             | -25° ~ 55°                 |
|                          | Humidity                              | Operating                                 | 10% ~ 85% (non-condensing) |
|                          |                                       | Non-operating                             | 5% ~ 93% (non-condensing)  |
| Altitude                 | Operating                             | 0~ 5000 m (0~ 16404ft)                    |                            |
|                          | Non-operating                         | 0~ 12192m (0~ 40000ft)                    |                            |