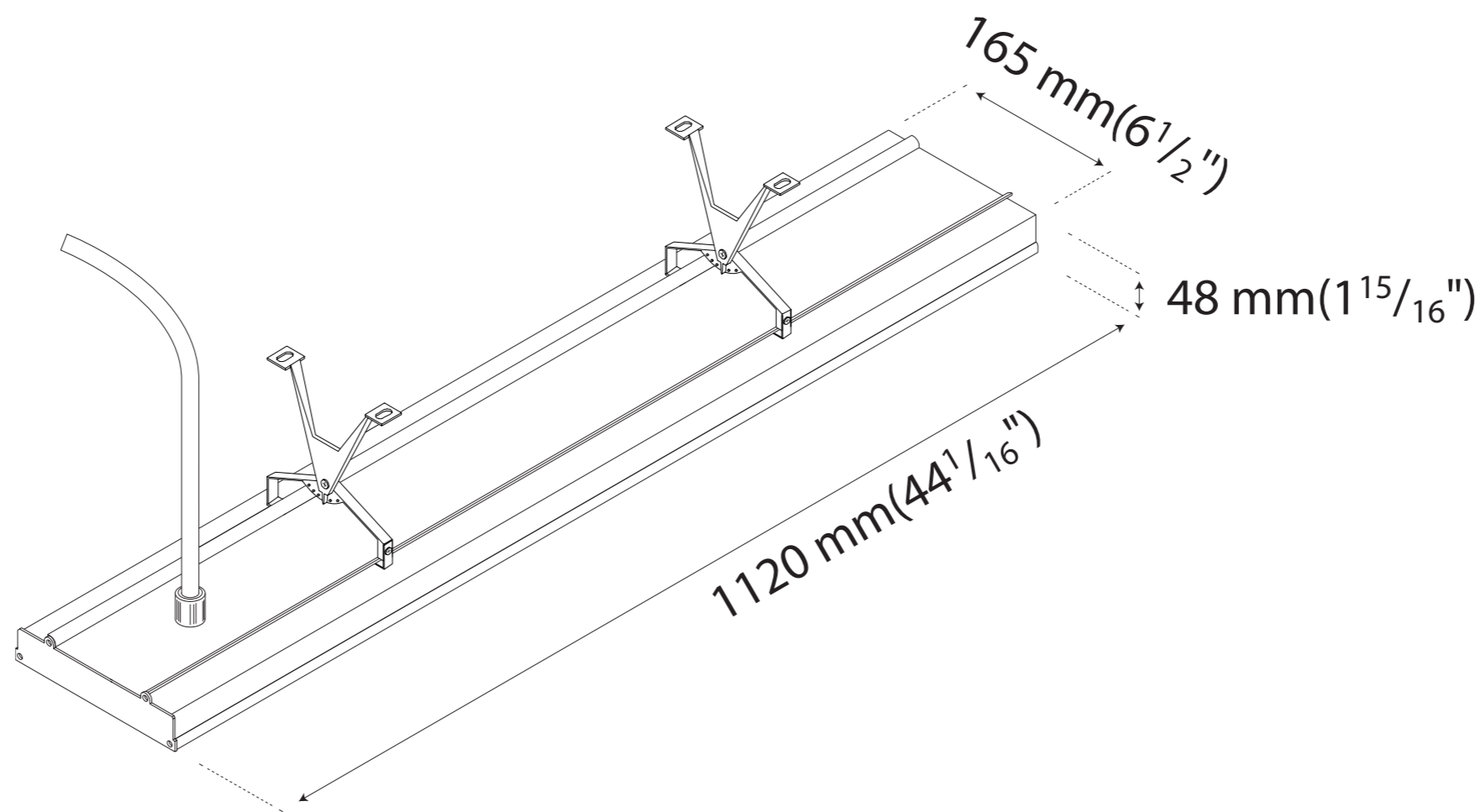


MODEL HS- 1500NA

Description

- Thermoflow 1500W Heater
- Nominal voltage : 120V
- Frequency : 60Hz
- Nominal capacity : 1500W
- Protection class: I
- type of protection : IP65
- Dimensions : 1-15/16" x 6-1/2" x 44-1/16"
- Weight : 11.5lb



Reference	QTY.	Remarks	Project:
			Location:
			Architect:
			Engineer:
			Contractor:
			Submitted by:
			Date:

