

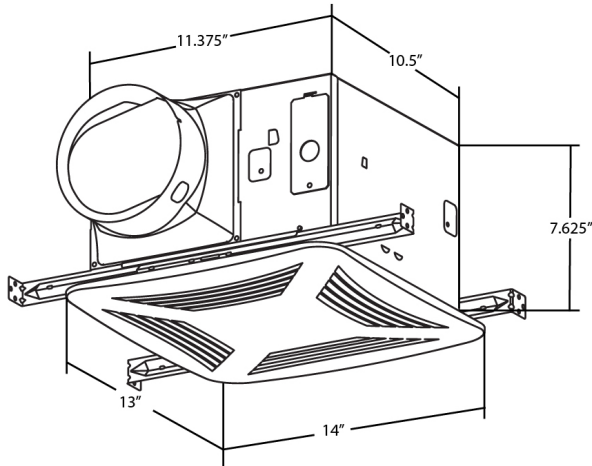


# MODEL PC80XP

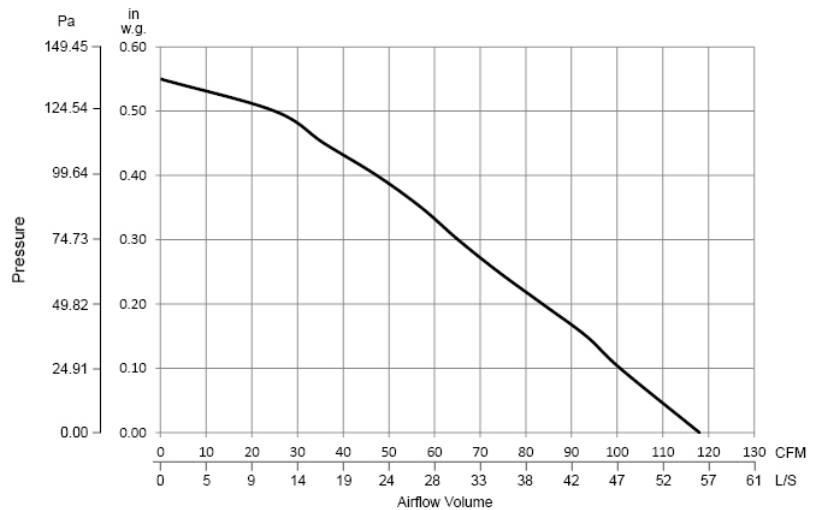
(Ceiling Mounted Ventilation Fans)



## DIMENSIONS



## AMCA PERFORMANCE CURVE



## AMCA PERFORMANCE

Duct (in)	Airflow (CFM) / Sound (Sones) @ Static Pressure (in wg)											Frequency (Hz)	Voltage (V)	Max Power (W)	Max Current (Amps)	Nominal Speed (RPM)
	0	0.10	0.15	0.20	0.25	0.30	0.35	0.40	0.45	0.50	0.55					
6"	118	101	93	84	74	65	57	47	36	25	0	60	120	30	0.25	915
	0.6	1.0	-	-	1.7	-	-	-	-	3.6	-					



Performance certified is for installation type B. Free inlet, ducted outlet.  
 Rating Method "F" (Direct Drive, As Run Speed, High Slip Motor)  
 Speed shown is nominal. Performance is based on actual speed of test.  
 Performance ratings include the effects of integral backdraft damper and grille.  
 The sound ratings shown are loudness values in hemispherical sones at 1.5 m (5 ft) in a hemispherical free field calculated per AMCA Standard 301.  
 Values shown are for: Installation Type B: free inlet hemispherical sone levels.  
 S&P USA Ventilation Systems, LLC certifies that the fans shown herein are licensed to bear the AMCA seal.  
 The ratings shown are based on tests and procedures performed in accordance with AMCA Publications 211 and 311 and comply with the requirements of the AMCA Certified Ratings Program.

## HVI PERFORMANCE

Duct (in)	Airflow (CFM) / Sound (Sones) @ Static Pressure (in wg)		Frequency (Hz)	Voltage (V)	Max Power (W)	Efficacy @ 0.1" SP (CFM/W)*	Max Current (Amps)	Nominal Speed (RPM)
	0.1	0.25						
4"	80	62	60	120	25	3.7	0.25	915
	0.7	-						
6"	90	67	60	120	25	4.0	0.25	915
	0.4	-						

\* Based on as-tested values

All specifications are subject to change without notice unless approved in submittal by S&P.  
 PC80XP-SUBMITTAL\_v1\_082119