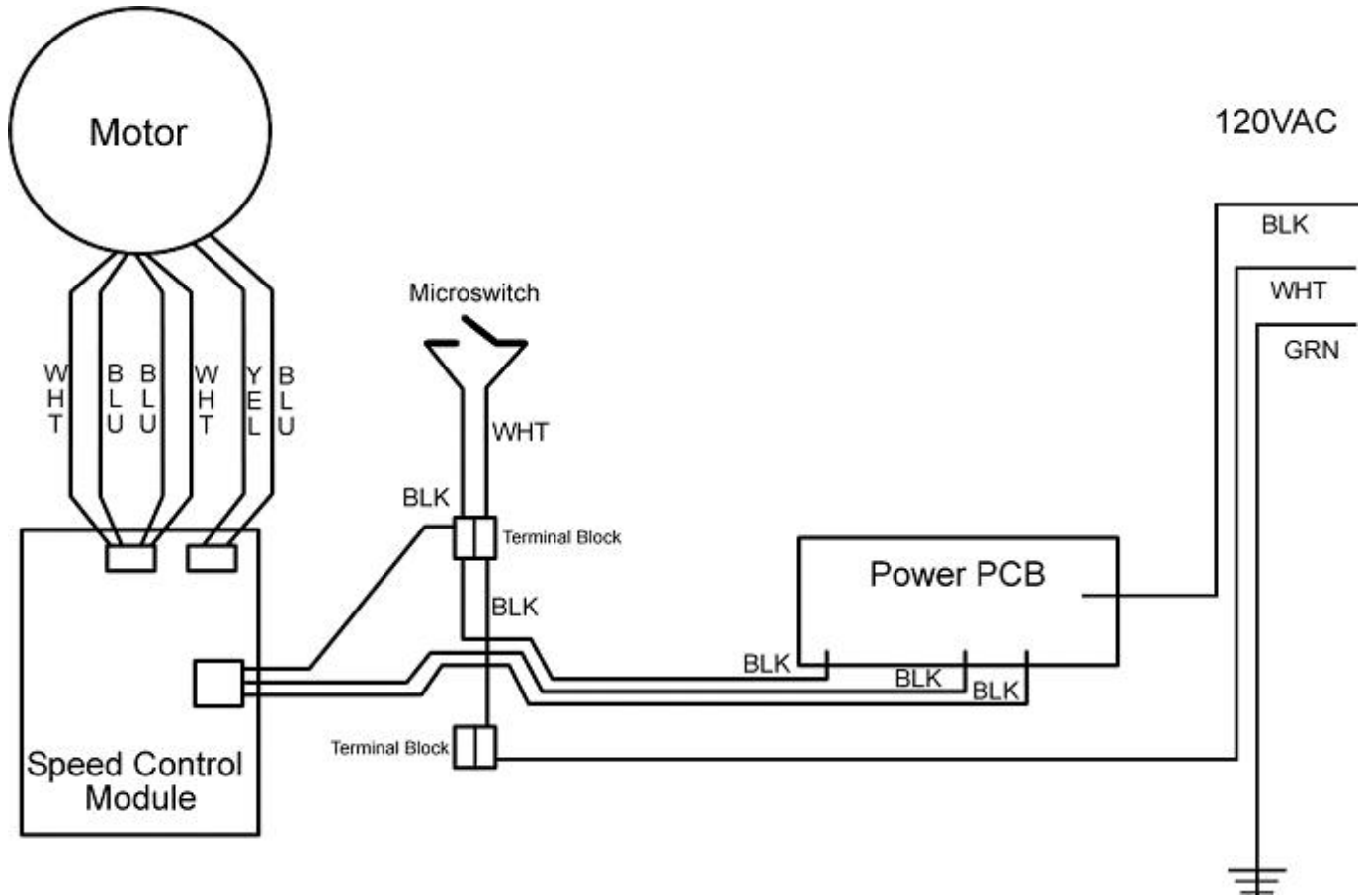


WIRING DIAGRAM

PROPRIETARY RIGHTS NOTICE This document and all information contained within it is the property of Hamilton Beach/Proctor-Silex, Inc. (HB/PS). It is confidential and proprietary and has been provided to you for a limited purpose. It must be returned upon request or destroyed as set forth in the Specification Notice. Disclosure, reproduction or use of this document and any information contained within it, in full or in part, for any purpose is forbidden without the prior written consent of HB/PS. No photographs may be taken of any article fabricated or assembled from this document without the prior written consent of HB/PS.



HAMILTON BEACH / PROCTOR-SILEX, INC. 4421 WATERFRONT DRIVE GLEN ALLEN, VA 23060		HQE-4952: Production Release.			ISSUE CODE	
DRAWN BY: SN	ENG. IN CHG. JOS	DATE: 04/17/07	APPROVED BY:		SP	
INITIAL USE: CPM500	PICT. REF.	SHEET 1 / 1	DRAWING NO. 5300055XX	REV. A		