



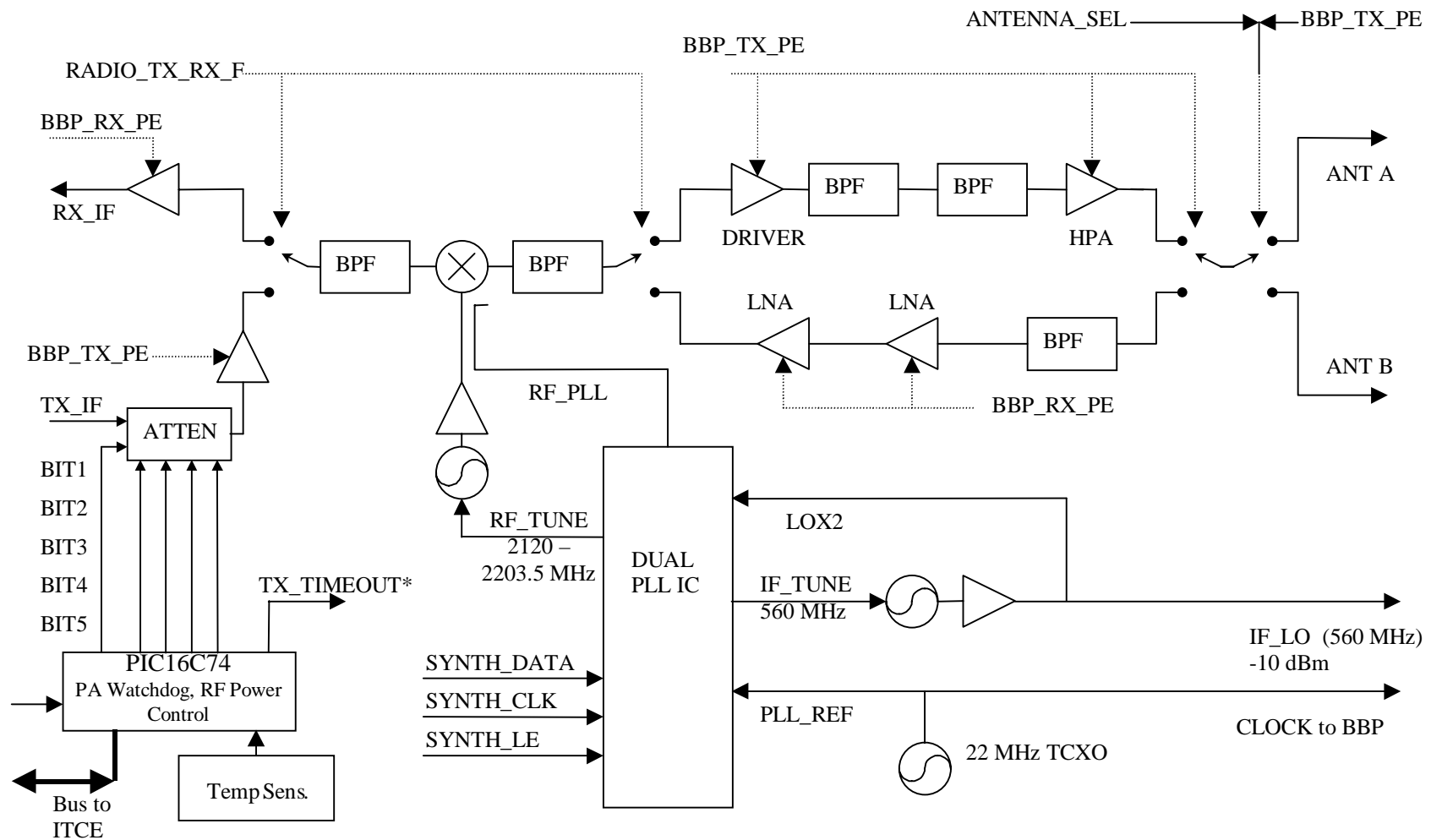
Document No. 5001366

16 April 1999

## **Exhibit B**

# **ITCU Schematics**

# Figure B.1: Front End Block Diagram



# Figure B.2: IF and Baseband Block Diagram

