

**Acer DLP Projector  
H6805BD/E8605/HE-4K11/  
GM830/VH-731/A4K1810/  
H6810BD/E8610P/HE-  
4K13P/GM832P/VH-733P/  
H6810+/A4K1809  
Series User's Guide**

Copyright © 2019. Acer Incorporated.  
All Rights Reserved.

Acer Projector User's Guide  
Original Issue: 06/2019



Changes may be made periodically to the information in this publication without obligation to notify any person of such revisions or changes. Such changes will be incorporated in new editions of this manual or supplementary documents and publications. This company makes no representations or warranties, either expressed or implied, with respect to the contents hereof and specifically disclaims the implied warranties of merchantability or fitness for a particular purpose.

Record the model number, serial number, purchase date and place of purchase information in the space provided below. The serial number and model number are recorded on the label affixed to your projector. All correspondence concerning your unit should include the serial number, model number and purchase information.

No part of this publication may be reproduced, stored in a retrieval system, or transmitted, in any form or by any means, electronically, mechanically, by photocopy, recording or otherwise, without the prior written permission of Acer Incorporated.

Acer Projector

Model number: \_\_\_\_\_

Serial number: \_\_\_\_\_

Date of purchase: \_\_\_\_\_

Place of purchase: \_\_\_\_\_

Acer and the Acer logo are registered trademarks of Acer Incorporated. Other companies' product names or trademarks are used herein for identification purposes only and belong to their respective companies.

"HDMI™, the HDMI logo and High-Definition Multimedia Interface are trademarks or registered trademarks of HDMI Licensing LLC."

# Information for Your Safety and Comfort

Read these instructions carefully. Keep this document for future reference. Follow all warnings and instructions marked on the product.

## Turning the product off before cleaning

Unplug this product from the wall outlet before cleaning. Do not use liquid cleaners or aerosol cleaners. Use a damp cloth for cleaning.

## Caution for plug as disconnecting device

Observe the following guidelines when connecting and disconnecting power to the external power supply unit:

- Install the power supply unit before connecting the power cord to the AC power outlet.
- Unplug the power cord before removing the power supply unit from the projector.
- If the system has multiple sources of power, disconnect power from the system by unplugging all power cords from the power supplies.

## Caution for Accessibility

Be sure that the power outlet you plug the power cord into is easily accessible and located as close to the equipment operator as possible. When you need to disconnect power to the equipment, be sure to unplug the power cord from the electrical outlet.



### Warnings!

- Do not use this product near water.
- Do not place this product on an unstable cart, stand or table. If the product falls, it could be seriously damaged.
- Slots and openings are provided for ventilation to ensure reliable operation of the product and to protect it from overheating. These openings must not be blocked or covered. The openings should never be blocked by placing the product on a bed, sofa, rug or other similar surface.

This product should never be placed near or over a radiator or heat register, or in a built-in installation unless proper ventilation is provided.

- Never push objects of any kind into this product through cabinet slots as they may touch dangerous voltage points or short-out parts that could result in a fire or electric shock. Never spill liquid of any kind onto or into the product.

- To avoid damage of internal components and to prevent battery leakage, do not place the product on a vibrating surface.
- Never use it under sporting, exercising, or any vibrating environment which will probably cause unexpected short current or damage rotor devices or lamp.

## Using electrical power

- This product should be operated from the type of power indicated on the marking label. If you are not sure of the type of power available, consult your dealer or local power company.
- Do not allow anything to rest on the power cord. Do not locate this product where people will walk on the cord.
- If an extension cord is used with this product, make sure that the total ampere rating of the equipment plugged into the extension cord does not exceed the extension cord ampere rating. Also, make sure that the total rating of all products plugged into the wall outlet does not exceed the fuse rating.
- Do not overload a power outlet, strip or receptacle by plugging in too many devices. The overall system load must not exceed 80% of the branch circuit rating. If power strips are used, the load should not exceed 80% of the power strip's input rating.
- This product's AC adapter is equipped with a three-wire grounded plug. The plug only fits in a grounded power outlet. Make sure the power outlet is properly grounded before inserting the AC adapter plug. Do not insert the plug into a non-grounded power outlet. Contact your electrician for details.



.....  
**Warning! The grounding pin is a safety feature. Using a power outlet that is not properly grounded may result in electric shock and/or injury.**



.....  
**Note: The grounding pin also provides good protection from unexpected noise produced by other nearby electrical devices that may interfere with the performance of this product.**

- Use the product only with the supplied power supply cord set. If you need to replace the power cord set, make sure that the new power cord meets the following requirements: detachable type, UL listed/CSA certified, VDE approved or its equivalent, 4.5 meters (14.76 feet) maximum length.

## Product servicing

Do not attempt to service this product yourself, as opening or removing covers may expose you to dangerous voltage points or other risks. Refer all servicing to qualified service personnel.

Unplug this product from the wall outlet and refer servicing to qualified service personnel when:

- the power cord or plug is damaged, cut or frayed
- liquid was spilled into the product
- the product was exposed to rain or water
- the product has been dropped or the case has been damaged
- the product exhibits a distinct change in performance, indicating a need for service
- the product does not operate normally after following the operating instructions



.....

**Note: Adjust only those controls that are covered by the operating instructions, since improper adjustment of other controls may result in damage and will often require extensive work by a qualified technician to restore the product to normal condition.**



.....

**Warning! For safety reasons, do not use non-compliant parts when adding or changing components. Consult your reseller for purchase options.**

Your device and its enhancements may contain small parts. Keep them out of the reach of small children.

## Additional safety information

- Do not look into the projector's lens when the lamp is on. The bright light may hurt your eyes.



RG2 IEC 62471-5:2015

- Turn on the projector first and then signal sources.
- Do not place the product in the following environments:
  - Space that is poorly ventilated or confined. At least 50cm clearance from walls and free flow of air around the projector are necessary.
  - Locations where temperatures may become excessively high, such as inside of a car with all windows rolled up.
  - Locations where excessive humidity, dust, or cigarette smoke may contaminate optical components, shorten the life span and darken the image.
  - Locations near fire alarms.
  - Locations with an ambient temperature above 40 °C/104 °F. Such environment

may cause the fan(s) to operate in standby mode.

- Locations where the altitudes are higher than 10000 feet.
- Unplug immediately if there is something wrong with your projector. Do not operate if smoke, strange noise or odor comes out of your projector. It might cause fire or electric shock. In this case, unplug immediately and contact your dealer.
- Do not keep using this product to break or drop it. In this case contact your dealer for inspection.
- Do not face the projector lens to the sun. It can lead to fire.
- When switching the projector off, please ensure the projector completes its cooling cycle before disconnecting power.
- Do not frequently turn off the main power abruptly or unplug the projector during operation. The best way is to wait for the fan to stop before turning main power off.
- Do not touch the air outlet grille and bottom plate which become hot.
- Clean the air filter frequently. The temperature inside may rise and cause damage when the filter/ventilation slots are clogged with dirt or dust.
- Do not look into the air outlet grille when projector is operating. It may hurt your eyes.
- Always open the lens shutter or remove the lens cap when the projector is on.
- Do not block the projector lens with any object when the projector is under operation as this could cause the object to become heated and deformed or even cause a fire. To temporarily turn off the lamp, press HIDE on the remote control.
- Do not operate lamps beyond the rated lamp life. It could cause it to break on rare occasions.
- Contact your local dealer or Acer service center when you need to change the lamp.
- The product will detect the life of the lamp itself. Please contact your local dealer or Acer service center for changing the lamp, when lamp warning message displays.
- Do not attempt to disassemble this projector. There are dangerous high voltages inside which may hurt you.
- Do not stand the projector on end vertically. It may cause the projector to fall over, causing injury or damage.
- This product is capable of displaying inverted images for ceiling mount installation. Only use acer ceiling mount kit for mounting the projector and ensure it is securely installed.
- The projector should be placed in a horizontal way by means of desktop or ceiling mount mode only, and its tilt angles should not exceed 6 degrees, otherwise it would cause dramatical decrease of lamp life or severe safety concern of system malfunction.



## Caution for Listening

To protect your hearing, follow these instructions.

- Increase the volume gradually until you can hear clearly and comfortably.
- Do not increase the volume level after your ears have adjusted.
- Do not listen to music at high volumes for extended periods.
- Do not increase the volume to block out noisy surroundings.
- Decrease the volume if you can't hear people speaking near you.

## Disposal instructions

Do not throw this electronic device into the trash when discarding. To minimize pollution and ensure utmost protection of the global environment, please recycle. For more information on the Waste from Electrical and Electronics Equipment (WEEE) regulations, visit <http://www.acer-group.com/public/Sustainability/index.htm>



## Mercury advisory

For projectors or electronic products containing an LCD/CRT monitor or display:



"Lamp(s) contain Mercury,  
Dispose Properly."

Lamp(s) inside this product contain mercury and must be recycled or disposed of according to local, state or federal laws. For more information, contact the Electronic Industries Alliance at [www.eiae.org](http://www.eiae.org). For lamp-specific disposal information, check [www.lamprecycle.org](http://www.lamprecycle.org)

# First Thing First

## Usage Notes

Do:

- Turn off the product before cleaning.
- Use a soft cloth moistened with mild detergent to clean the display housing.
- Disconnect the power plug from AC outlet if the product is not being used for a long period of time.

Don't:

- Block the slots and openings on the projector provided for ventilation.
- Use abrasive cleaners, waxes or solvents to clean the unit.
- Use under the following conditions:
  - In extremely hot, cold or humid environments.
  - In areas susceptible to excessive dust and dirt.
  - Near any appliance that generates a strong magnetic field.
  - Place in direct sunlight.

## Precautions

Follow all warnings, precautions and maintenance as recommended in this user's guide to maximize the life of your unit.



### Warning:

- Do not look into the projector's lens when the lamp is on. The bright light may hurt your eyes.
- To reduce the risk of fire or electric shock, do not expose this product to rain or moisture.
- Please do not open or disassemble the product as this may cause electric shock.
- The product will detect the life of the lamp itself. Please contact your local dealer or Acer service center for changing the lamp, when lamp warning message displays.
- When switching the projector off, please ensure the projector completes its cooling cycle before disconnecting power.
- Turn on the projector first and then the signal sources.
- Do not use lens cap when projector is in operation.
- When the lamp reaches the end of its life, it will burn out and may make a loud popping sound. If this happens, the projector will not turn back on until the lamp module has been replaced. To replace the lamp, contact your local dealer or Acer service center.



Information for Your Safety and Comfort	iii
First Thing First	viii
Usage Notes	viii
Precautions	viii
Introduction	1
Product Features	1
Package Overview	2
Projector Overview	3
Projector Outlook	3
Control Panel	4
Remote Control Layout	5
Getting Started	7
Connecting the Projector	7
Turning the Projector On/Off	9
Turning On the Projector	9
Turning Off the Projector	9
Adjusting the Projected Image	10
Adjusting the Height of the Projected Image	10
How to Get a Preferred Image Size by Adjusting Distance and Zoom	11
User Controls	13
Onscreen Display (OSD) Menus	13
COLOR	14
IMAGE	17
INSTALLATION	19
SYSTEM SETUP: BASIC	20
SYSTEM SETUP: ADVANCED	21
Appendices	24
Troubleshooting	24
LED & Alarm Definition Listing	27
Ceiling Mount Installation	28
Specifications	31

# Contents

Compatibility Modes	34
Regulations and safety notices	38

# Introduction

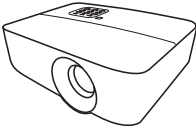
## Product Features

This product is a single-chip DLP® projector, including the following outstanding features:

- DLP® technology
- Enables projecting 3D content via DLP Link Technology: Blu-Ray 3D supported
- One-touch "3D" button on remote control allows quick and easy access to the 3D functions
- Acer ColorBoost technology delivers vivid, life-like images
- High brightness and contrast ratio
- Versatile display modes enable optimum performance in any situation
- HDTV (720p, 1080i, 1080p) supported
- Lower power consumption, economy (ECO) mode and EcoPro mode extend lamp life
- Dynamic function helps decrease lamp power consumption and further extend lamp life
- Acer EcoProjection Technology delivers Intelligent power management approach and physical efficiency improvement
- Advanced keystone correction delivers optimum presentations
- Multi-language Onscreen Display (OSD) menus
- Manual focus/zoom projection lens
- Microsoft® Windows® 2000, XP, 7, 8, 8.1, 10, Vista®, Macintosh OS, Chrome OS compliant
- Super Resolution function generates a higher resolution image from lower resolution image
- Low noise level
- BT2020 / HDR content compatible

## Package Overview

This projector comes with all the items shown below. Check to make sure you have them all. Contact your dealer immediately if any thing is missing.



Projector



Power cord



VGA cable  
(Optional)



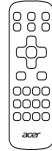
HDMI cable  
(Optional)



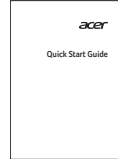
Security card  
(Optional)



User's guide (CD-  
ROM) (Optional)



Remote control



Quick start guide



AAA Battery x 2



Carrying case  
(Optional)

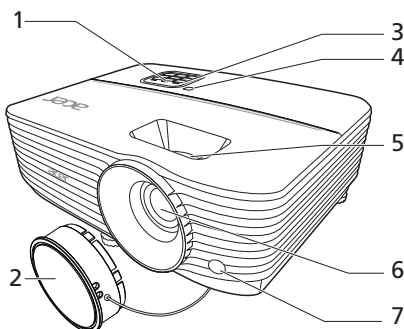


**Note:** The package content may differ by regions.

# Projector Overview

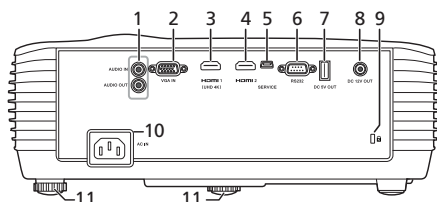
## Projector Outlook

Front/upper side



#	Description	#	Description
1	Control panel	5	Zoom ring and Focus ring
2	Lens cap	6	Projection lens
3	Power key and Power indicator LED	7	Remote control receiver
4	IR remote sensor		

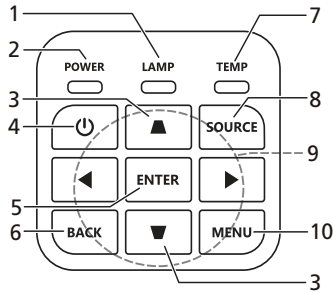
Rear side



Note: Connector interface is subject to model's specifications.

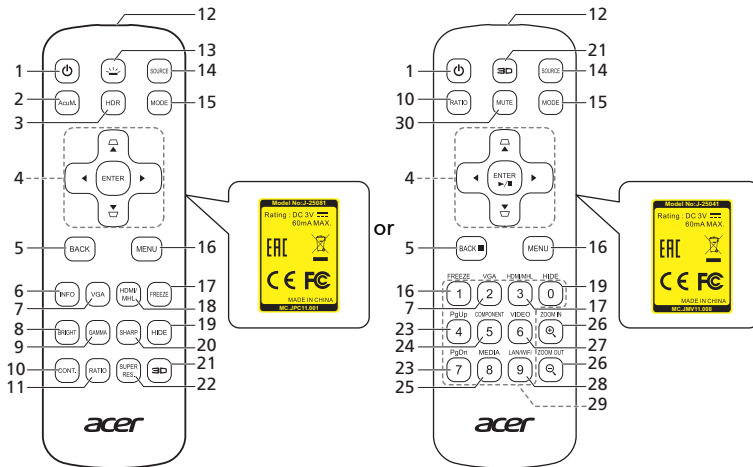
#	Description	#	Description
1	Audio input connector Audio output connector	6	RS232 connector
2	Analog RGB signal/HDTV/ component video input connector	7	DC 5V output
3	HDMI connector (UHD 4K)	8	12V DC output connector
4	HDMI connector	9	Kensington™ lock port
5	Mini USB connector	10	Power socket
		11	Tilt adjusting wheel






## Control Panel



#	Function	Description
1	LAMP	Lamp indicator LED.
2	POWER	Power indicator LED
3	Keystone	Adjusts image distortion caused by tilting projection.
4	Power key	Refer to the "Turning the Projector On/Off" section.
5	ENTER	Confirms your selection of items.
6	BACK	Cancels your selection, or goes back to previous page.
7	TEMP	Temperature indicator LED.
8	SOURCE	Changes the active source.
9	Four directional selection keys	Selects items or makes adjustments to your selection
10	MENU	Launches the Onscreen Display (OSD) menu or exits the OSD menu.

## Remote Control Layout



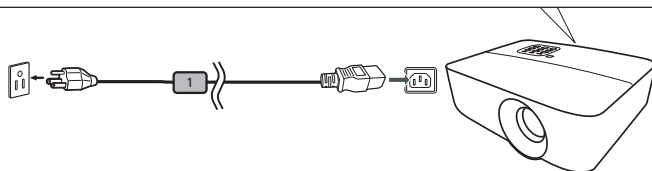
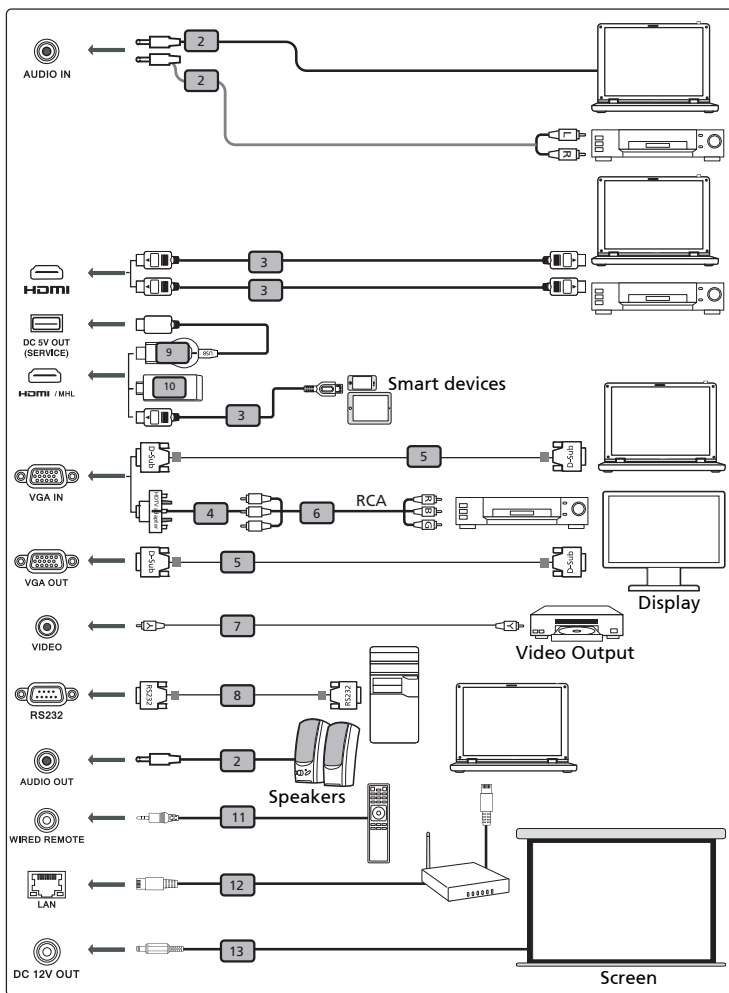
#	Function	Description
1	POWER	Refer to the "Turning the Projector On/Off" section.
2	AcuM.	No function.
3	HDR	Press to open the HDR menu.
4	 Keystone	Adjusts image distortion caused by tilting projection.
	 Four directional selection keys	Selects items or makes adjustments to your selection.
	ENTER	Confirms your selection of items.
	 Play/Pause	
5	BACK	Cancels your selection, or goes back to previous page.
	 Stop	
6	INFO	Press to open the INFORMATION menu.
7	VGA	To change source to VGA.
8	BRIGHT	Press to open the Brightness adjustment bar.
9	GAMMA	Chooses a gamma setting.
10	CONT.	Press to open the Contrast adjustment bar.
11	RATIO	Chooses an aspect ratio.
12	Infrared transmitter	Sends signals to the projector.
13	 Key light	Turns on the backlight for a few seconds.
14	SOURCE	Changes the active source.

#	Function	Description
15	MODE	Chooses a display mode.
16	MENU	Launches the Onscreen Display (OSD) menu or exits the OSD menu.
17	FREEZE	No function.
18	HDMI/MHL	To change source to HDMI™ (or MHL). (for the model with HDMI™ or MHL connector)
19	HIDE	Press "HIDE" to hide screen image; press again to display the image.
20	SHARP	Press to open the Sharpness adjustment bar.
21	3D	Press to open the 3D menu for adjusting 3D settings.
22	SUPER RES.	Press to open the Super Resolution menu.
23	PgUp/PgDn	(No function)
24	COMPONENT	(No function)
25	MEDIA	Opens MEDIA SETUP page. (for LAN/wireless compatible models)
26	ZOOM IN/ZOOM OUT	(No function)
27	VIDEO	(No function)
28	LAN/WiFi	To change source to LAN/WiFi. (for LAN/wireless compatible models)
29	Keypad 0~9	(No function)
30	MUTE	Mutes or unmutes the projector's volume.



# Getting Started

## Connecting the Projector



#	Description	#	Description
1	Power cord	8	RS232 cable
2	Audio cable	9	WirelessHD dongle
3	HDMI (MHL) cable	10	Wireless dongle
4	VGA to component video/HDTV adapter	11	Wired remote control
5	VGA cable	12	RJ45 cable
6	3 RCA component cable	13	12V DC cable
7	Composite video cable		



.....


**Note:** To ensure the projector works well with your computer, please make sure the timing of the display mode is compatible with the projector.

**Note:** Some smart devices require a converter (supplied by the smart device maker) to enable the MHL function.

**Note:** Compatible HDMI/MHL dongles: WirelessHD (MWIHD1), MWA3, Chromecast™.

# Turning the Projector On/Off

## Turning On the Projector

- 1 Ensure that the power cord and signal cable are securely connected. The Power LED will light red.
- 2 Turn on the projector by pressing  (POWER) on the control panel or remote control, and the Power indicator LED will turn blue.
- 3 Turn on your source (computer, notebook, video player, etc.). The projector will detect your source automatically (when it is the first time you turn on the projector or the Auto Input Search function is "On").
  - If the screen displays "No Signal", please make sure the signal cables are securely connected.
  - If you connect to multiple sources at the same time, use "SOURCE" on the control panel or remote control, or the direct source key on the remote control to switch between inputs.

## Turning Off the Projector

- 1 To turn the projector off, press the power button. A confirmation message appears. Press the power button again.
- 2 The LED Power indicator will turn solid red to indicate standby mode.
- 3 It is now safe to unplug the power cord.

## Adjusting the Projected Image

### Adjusting the Height of the Projected Image

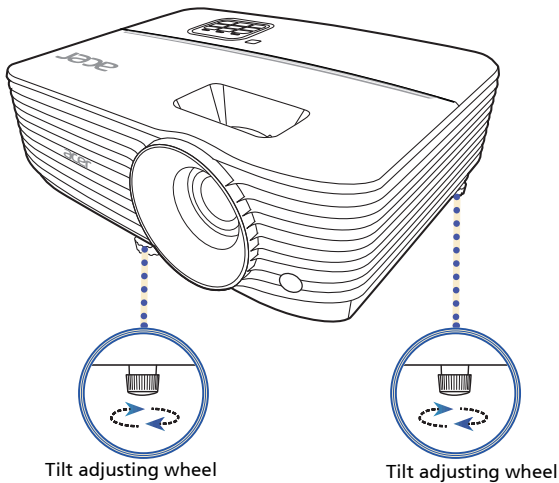
The projector is equipped with two elevator feet for adjusting the image height.

To raise the image:

- 1 Use the front Tilt adjusting wheel to raise the image to the desired height and angle.
- 2 Use the rear Tilt adjusting wheel to fine-tune the display angle.

To lower the image:

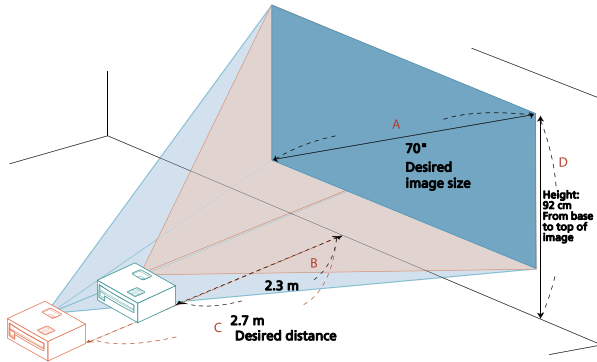
- 1 Use the front Tilt adjusting wheel to lower the image to the desired height and angle.
- 2 Use the rear Tilt adjusting wheel to fine-tune the display angle.



## How to Get a Preferred Image Size by Adjusting Distance and Zoom

The table below shows how to achieve a desired image size by adjusting either the position or the zoom ring.

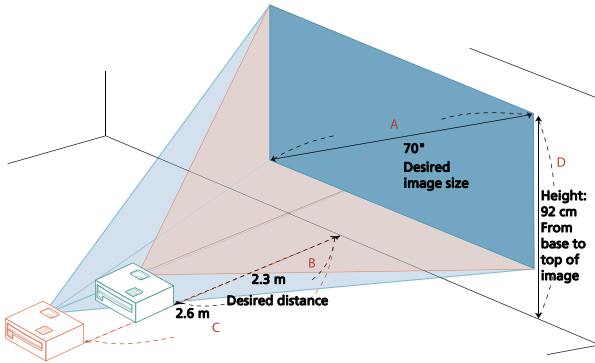
- Models with a zoom ratio of 1.2x and a throw ratio of 1.47 – 1.76:1  
To obtain an image size of 70", set the projector at a distance of 2.3 m and 2.7 m from the screen and adjust the zoom level accordingly.



Desired Image Size		Distance (m)		Top (cm)
Diagonal (inch) < A >	W (cm) x H (cm)	Max zoom < B >	Min zoom < C >	From base to top of image < D >
30	66 x 37		1.2	39
40	89 x 50	1.3	1.6	52
50	111 x 62	1.6	1.9	65
60	133 x 75	2.0	2.3	78
70	155 x 87	2.3	2.7	92
80	177 x 100	2.6	3.1	105
90	199 x 112	2.9	3.5	118
100	221 x 125	3.3	3.9	131
120	266 x 149	3.9	4.7	157
150	332 x 187	4.9	5.8	196
180	398 x 224	5.9	7.0	235
200	443 x 249	6.5	7.8	262
250	553 x 311	8.1	9.7	327
300	664 x 374	9.8		392

Zoom Ratio: 1.2 x

- Models with a zoom ratio of 1.1x and a throw ratio of 1.5 – 1.65:1  
To obtain an image size of 70", set the projector at a distance between 2.3 m and 2.6 m from the screen and adjust the zoom level accordingly.



Desired Image Size		Distance (m)		Top (cm)
Diagonal (inch) < A >	W (cm) x H (cm)	Max zoom < B >	Min zoom < C >	From base to top of image < D >
30	66 x 37		1.1	39
40	89 x 50	1.3	1.5	52
50	111 x 62	1.7	1.8	65
60	133 x 75	2.0	2.2	78
70	155 x 87	2.3	2.6	92
80	177 x 100	2.7	2.9	105
90	199 x 112	3.0	3.3	118
100	221 x 125	3.3	3.7	131
120	266 x 149	4.0	4.4	157
150	332 x 187	5.0	5.5	196
180	398 x 224	6.0	6.6	235
200	443 x 249	6.6	7.3	262
250	553 x 311	8.3	9.1	327
300	664 x 374	10.0		392

Zoom Ratio: 1.1 x

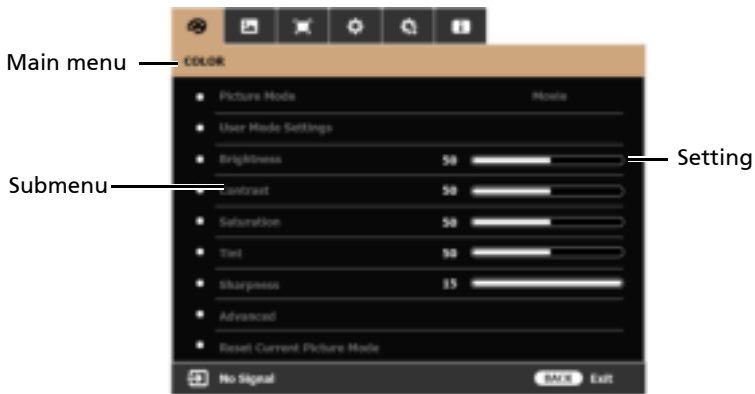
# User Controls

## Onscreen Display (OSD) Menus

The projector has multilingual Onscreen Display (OSD) menus that allow you to make image adjustments and change a variety of settings.

### Using the OSD menus

- To open the OSD menu, press "MENU" on the control panel or remote control.
- When the OSD is displayed, use ▲ ▼ ◀ ▶ move through the menu items.
- Use ◀ ▶ to adjust the settings.
- Use "ENTER" to confirm the selected menu item.
- To go back to the previous menu, press "BACK".
- To exit the OSD menu, press "MENU" on the control panel or remote control again. It will close and the projector will automatically save the new settings.



**Note:** Some of the following OSD settings may not be available. Please refer to the actual OSD of your projector.

## COLOR

<b>Picture Mode</b>	<p>There are many factory presets optimized for various types of images. Some of the following settings may not be available for certain situation.</p> <ul style="list-style-type: none"> <li>• Bright: For brightness optimization.</li> <li>• Standard: For common environment.</li> <li>• Movie: For brighter and general movie/video/photo playing.</li> <li>• Football: For football game.</li> <li>• User 1/User 2: Memorize user's settings.</li> <li>• ISF Night/ISF Day: Only available when ISF is enabled.</li> <li>• Silent: Minimizes the acoustic noise. It is suitable for the need of watching movies that requires an ultra-quiet environment so that you won't be disturbed by the noise of the projector. This mode is only available when the Image &gt; Silent menu is set at On.</li> <li>• HDR: Delivers High Dynamic Range effects with higher contrasts of brightness and colors. This mode is automatically activated when HDR content is detected.</li> <li>• HLG: Delivers a convenient HDR solution for the world of broadcast TV. This mode is automatically activated when HLG content is detected.</li> <li>• 3D: Optimized to bring up 3D effects when watching 3D contents. This mode is only available when 3D function is enabled.</li> <li>• EcoPro: For extending lamp life.</li> </ul>
<b>User Mode Settings</b>	<p>There are two user-definable modes if the current available picture modes are not suitable for your need.</p> <ul style="list-style-type: none"> <li>• Load Settings: You can use one of the picture modes as a starting point and you can further fine-tune the image based on the selections listed below.</li> <li>• Rename User Mode: Select to rename the customized picture modes (User 1 or User 2). The new name can be up to 9 characters including English letters (A-Z, a-z), digits (0-9), and space (_).</li> </ul>
<b>Brightness</b>	<p>Adjusts the brightness of the image.</p> <ul style="list-style-type: none"> <li>• Press ◀ to darken the image.</li> <li>• Press ▶ to lighten the image.</li> </ul>



<b>Contrast</b>	<p>Controls the degree of difference between the lightest and darkest parts of the picture. Adjusting the contrast changes the amount of black and white in the image.</p> <ul style="list-style-type: none"> <li>• Press ◀ to decrease the contrast.</li> <li>• Press ▶ to increase the contrast.</li> </ul>
<b>Saturation</b>	<p>Adjusts a video image from black and white to fully saturated colors.</p> <ul style="list-style-type: none"> <li>• Press ◀ to decrease the amount of color in the image.</li> <li>• Press ▶ to increase the amount of color in the image.</li> </ul>
<b>Tint</b>	<p>Adjusts the color balance of red and green.</p> <ul style="list-style-type: none"> <li>• Press ◀ to increase the amount of red in the image.</li> <li>• Press ▶ to increase the amount of green in the image.</li> </ul>
<b>Sharpness</b>	<p>Adjusts the Sharpness of the image.</p> <ul style="list-style-type: none"> <li>• Press ◀ to soften the image.</li> <li>• Press ▶ to sharpen the image.</li> </ul>
<b>Advanced</b>	<p><b>Select Gamma</b> Effects the representation of dark scenery. With greater gamma value, dark scenery will look brighter.</p>
	<p><b>Color Temperature</b></p> <ul style="list-style-type: none"> <li>• Preset: <ul style="list-style-type: none"> <li>• Normal: Maintains normal colorings for white.</li> <li>• Cool: Makes images appear bluish white.</li> <li>• Warm: Makes images appear reddish white.</li> </ul> </li> <li>• Red Gain/Green Gain/Blue Gain: Adjusts the contrast levels of Red, Green, and Blue.</li> <li>• Red Offset/Green Offset/Blue Offset: Adjusts the brightness levels of Red, Green, and Blue.</li> </ul>

<b>Advanced</b>	<p><b>Color Management</b></p> <ul style="list-style-type: none"> <li>• Primary Color: Selects a color from among Red, Yellow, Green, Cyan, Blue, or Magenta.</li> <li>• Ind. Hue: Changes the hue of the color selected.</li> <li>• Ind. Gain: Adjusts the contrast levels.</li> <li>• Ind. Saturation: Adjusts a video image from black and white to fully saturated color.</li> </ul>
	<p><b>MoviePro</b></p> <ul style="list-style-type: none"> <li>• Color Enhancement: Allows you to fine-tune the saturation of colors with larger flexibility. It modulates complex color algorithms to flawlessly render saturated colors, fine gradients, intermediate hues and subtle pigments.</li> <li>• Skin Tone: Provides a smart adjustment of hue only for calibrating people's skin color, not other colors in the image. It prevents discoloration of skin tones from the light of the projection beam, portraying every skin tone in its most beautiful shade.</li> <li>• Super Resolution: It is a super-resolution technology which radically enhances Full HD content in terms of colors, contrast, and textures. It's also a Detail Enhancement Technology refines surface details for true-to-life images that pop off the screen. Users can adjust levels of sharpness and detail enhancement for optimal viewing.</li> </ul>
	<p><b>ISF</b></p> <p>This menu is password protected and only accessible by authorized calibrators. The ISF (Imaging Science Foundation) has developed carefully crafted, industry-recognized standards for optimal video performance and has implemented a training program for technicians and installers to use these standards to obtain optimal picture quality ISF certified display devices. Accordingly, we recommend that setup and calibration be performed by an ISF certified installation technician. For more information, go to <a href="http://www.imagingscience.com">www.imagingscience.com</a> or contact the dealer or retailer from whom you purchased the projector.</p>
<b>Reset Current Picture Mode</b>	Returns all of the adjustments you've made for the selected Picture Mode (including preset modes, User 1, and User 2) to the factory preset values.

## IMAGE

<b>Aspect Ratio</b>	<p>Use this function to choose your desired aspect ratio.</p> <ul style="list-style-type: none"> <li>• Auto: Keeps the image with original width-height ratio and maximizes the image to fit native horizontal or vertical pixels.</li> <li>• 4:3: The image will be scaled to fit the screen and displayed using a 4:3 ratio.</li> <li>• 16:9: The image will be scaled to fit the screen and displayed using a 16:9 ratio.</li> <li>• 16:10: The image will be scaled to fit the screen and displayed using a 16:10 ratio.</li> </ul>
<b>Image Position</b>	<ul style="list-style-type: none"> <li>• Press ◀ to move the image left.</li> <li>• Press ▶ to move the image right.</li> <li>• Press ▼ to move the image down.</li> <li>• Press ▲ to move the image up.</li> </ul>
<b>Overscan Adjustment</b>	<p>Conceals the poor picture quality in the four edges. The greater the value, the more portion of the picture is concealed while the screen remains filled and geometrically accurate. Setting 0 means the picture is 100% displayed.</p>
<b>Phase</b>	<p>Adjusts the clock phase to reduce image distortion.</p>
<b>H.Size</b>	<p>Adjusts the horizontal width of the image.</p>
<b>Auto</b>	<p>Automatically determines the best picture timings for the displayed image.</p>
<b>3D</b>	<p>Selects "On" to enable the 3D function supported by DLP 3D technology.</p> <ul style="list-style-type: none"> <li>• On: Select this item while using DLP 3D glasses, quad buffer (NVIDIA/ATI...) graphics card and HQFS format file or DVD with corresponding SW player. When this function is enabled, Picture Mode cannot be adjusted.</li> <li>• Off: Turns off the 3D mode.</li> </ul>
<b>3D Format</b>	<p>If the 3D content is not displayed correctly, you can select a 3D format that suits the 3D content you are viewing and obtain the best result.</p>
<b>3D L/R Invert</b>	<p>If you see a discrete or overlapping image while wearing DLP 3D glasses, you may need to execute "ENTER" to get best match of left/right image sequence to get the correct image (for DLP 3D).</p>

<b>Silent</b>	<p>When this function is enabled:</p> <ul style="list-style-type: none"> <li>• The acoustic noise will be minimized.</li> <li>• The display resolution will be set at 1920 x 1080.</li> <li>• The COLOR &gt; Picture Mode menu will be automatically changed to Silent and grayed out.</li> </ul>
---------------	---



-----

**Note:** "Image Position" function is not supported under video or HDMI mode.



-----

**Note:** Supported 3D signal timings:

Signal source type	Supported timing
HDMI (PC mode)	<p>Frame Sequential: 800x600(RB), 1024x768(RB), 1280x720, 1920x1080P, 1280x800(RB)@120Hz</p> <p>Side-by-Side Horizontal: 640x480, 800x600, 1024x768, 1280x720, 1280x768, 1280x800, 1280x1024, 1280x960, 1360x768, 1440x900, 1400x1050, 1680x1050, 1920x1080, 1920x1200@60Hz</p> <p>Top-and-Bottom: 640x480, 800x600, 1024x768, 1280x720, 1280x768, 1280x800, 1280x1024, 1280x960, 1360x768, 1440x900, 1440x1050, 1680x1050, 1920x1080, 1920x1200@60Hz</p>
HDMI (video mode)	<p>HDMI 1.4a mandatory Frame Packing: 1080p@24Hz, 720p@50/60Hz</p> <p>Side-by-Side Horizontal: 720p@50/60Hz, 1080i@50/60Hz, 1080p@24/50/60Hz</p> <p>Top-and-Bottom 720p@50/60Hz, 1080p@24/50/60Hz</p>

It needs correct settings on graphics card 3D application program for correct 3D display.

The SW players, such as Stereoscopic Player and DDD TriDef Media Player can support 3D format files. You can download these players on the web page below.


- Stereoscopic Player (Trial): [http://www.3dtv.at/Downloads/Index\\_en.aspx](http://www.3dtv.at/Downloads/Index_en.aspx)
- DDD TriDef Media Player (Trial): <http://www.tridef.com/download/TriDef-3-D-Experience-4.0.2.html>

**Note:** "3D L/R Invert" and "3D Format" are only available when "3D" is enabled.


## INSTALLATION

<b>Projection</b>	<ul style="list-style-type: none"> <li>• Front: The factory default setting.</li> <li>• Front Ceiling: Turns the image upside down for ceiling-mounted projection.</li> <li>• Rear: Reverses the image so you can project from behind a translucent screen.</li> <li>• Rear Ceiling: Reverses the image so you can project from behind a translucent screen for ceiling-mounted projection.</li> </ul>
<b>Test Pattern</b>	Displays a grid pattern for you to adjust the image size and focus and check that the projected image is free from distortion.
<b>Light Source Settings</b>	<ul style="list-style-type: none"> <li>• Light Source Mode: Use this function to choose your desired light source mode. When EcoPro is selected, Light Source Mode cannot be adjusted. To adjust the setting, change the Picture Mode first.</li> <li>• Reset Light Timer: Resets the light source timer.</li> <li>• Light Source Information: Shows the number of hours the lamp has been used.</li> </ul>
<b>12V Trigger</b>	If activated, the projector will send electronic signal out when it is turned on.
<b>High Altitude Mode</b>	Choose "On" to turn on the High Altitude mode. When this function is turned on, the projector fans operate at full speed continuously to cool down the projector's temperature.

## SYSTEM SETUP: BASIC

<b>Language</b>	Sets a language for the OSD menus. Use ▲ ▼ ◀ ▶ to select your preferred language.
<b>Background Color</b>	Sets the background color for the projector.
<b>Splash Screen</b>	Use this function to select your desired startup screen. If you change the setting, it will take effect when you exit the OSD menu.
<b>Auto Power Off</b>	The projector will automatically shut down while there is no signal input detected after the time you set.
<b>Direct Power On</b>	Allows the projector to turn on automatically once the power is fed through the power cord.
<b>DC 5V Out (Standby)</b>	<p>Selecting "On" enables the function. The MHL port(s) and the DC 5V out port/USB A port (if available) on the projector can output 5V power when the projector is turned on.</p> <p> .....  Only MHL port(s) will provide power output when MHL port(s) and USB A port are both plugged.</p>
<b>Menu Settings</b>	<ul style="list-style-type: none"> <li>• Menu Position: Sets the On-Screen Display (OSD) menu position.</li> <li>• Menu Display Time: Chooses the length of time the OSD menu will remain active after your last key press.</li> <li>• Reminder Message : Sets the reminder messages on or off.</li> </ul>
<b>Rename Input</b>	Renames the current input source to your desired name.
<b>Auto Input Search</b>	Allows the projector to detect your source automatically.

## SYSTEM SETUP: ADVANCED

<b>HDR</b>	<ul style="list-style-type: none"> <li>• HDR: The projector supports HDR imaging sources. It can automatically detect the dynamic range of the source, and optimize settings to reproduce contents under wide range of light conditions. If the input source is not defined with dynamic range, you can also manually select HDR or SDR for it.</li> <li>• EOTF: This function helps provide better image quality with options from low, middle to high.</li> </ul>
<b>Audio Settings</b>	<ul style="list-style-type: none"> <li>• Audio Volume: Press ◀ to decrease the volume. Press ▶ to increase the volume.</li> <li>• Mute: Choose "On" to turn mute on. Choose "Off" to turn mute off.</li> </ul>
<b>HDMI Range</b>	<p>Adjusts the color range of the HDMI image data to prevent color display error.</p> <ul style="list-style-type: none"> <li>• Auto: Automatically adjusts the color range by information from the player.</li> <li>• Limited Range: Processes the input image as limited color range data.</li> <li>• Full Range: Processes the input image as full color range data.</li> </ul>
<b>HDMI CEC</b>	<p>Selecting "On" allows synchronized power ON/OFF operation between the projector and a CEC-compatible device connected to the HDMI/MHL port of the projector.</p> <div style="display: flex; align-items: center;">  <span style="margin-left: 10px;">-----</span> </div> <p>This function is only available for the HDMI/MHL port.</p>

<b>Password</b>	<p><b>Change Password</b></p> <p>This function allows you to set up or change the power-on password. As the on-screen display indicates, the 4 arrow keys ( ▲ ► ▼ ◀ ) respectively represent 4 digits (1, 2, 3, 4). Use the arrow keys to set a 6-digit password. The digits display as ***** when you enter them. Re-enter the password when asked. Make a note of your selected password and keep it in a safe place in advance or right after the password is entered so that it is available to you should you ever forget it.</p> <p>Once a password has been set and the power on lock is activated, the projector cannot be used unless the correct password is entered every time the projector is started.</p> <p><b>Power On Lock</b></p> <p>You will be asked to enter the current password before changing the setting.</p> <ul style="list-style-type: none"> <li>• On: The projector cannot be used unless the correct password is entered every time the projector is started.</li> <li>• Off: The projector can be used without entering the password.</li> </ul> <p>If you enter the wrong password, the password error message will appear, and the INPUT CURRENT PASSWORD message follows. If you absolutely do not remember the password, you can use the password recall procedure. If you enter an incorrect password 5 times in succession, the projector will automatically shut down in a short time. When you forget the password, press and hold "ENTER" for 3 seconds. The projector will display a coded number on the screen. Write down the number and turn off your projector. Seek help from your local service center to decode the number. You may be required to provide proof of purchase documentation to verify that you are an authorized user of the projector.</p>
<b>Panel Key Lock</b>	<ul style="list-style-type: none"> <li>• Off: Allows all keys on the control panel to operate normally.</li> <li>• On: Disables all keys on the control panel. If you turn off the projector without disabling the function, the projector will still be in locked status the next time it is turned on. To disable this function, press and hold "POWER" on the control panel for 7 seconds and the Panel Key Lock will be set to "Off". When the projector is in standby mode, press and hold "POWER" on the control panel for 7 seconds to turn the projector on and the Panel Key Lock will be set to "Off".</li> </ul>



<b>Reset All Settings</b>	Returns the display parameters on all menus to the factory default settings.
---------------------------	--

## Information

<b>Input</b>	Shows the current signal source.
<b>Picture Mode</b>	Shows the current picture mode.
<b>Resolution</b>	Shows the native resolution of the input signal.
<b>Color System</b>	Shows input system format.
<b>Light Source Usage Time</b>	Shows the number of hours the light source has been used.
<b>Firmware Version</b>	Shows the firmware version of your projector.
<b>HDR</b>	Shows if the content is HDR or not.

# Appendices

## Troubleshooting

If you experience a problem with your Acer projector, refer to the following troubleshooting guide. If the problem persists, please contact your local reseller or service center.

### Image Problems and Solutions

#	Problem	Solution
1	No image appears onscreen	<ul style="list-style-type: none"> <li>• Make sure all the cables are correctly connected as described in the "Getting Started" section.</li> <li>• Ensure none of the connector pins are bent or broken.</li> <li>• Make sure the projector is switched on.</li> </ul>
2	Partial, scrolling or incorrectly displayed image (For PC)	<ul style="list-style-type: none"> <li>• For an incorrectly displayed image:             <ul style="list-style-type: none"> <li>• Open "My Computer &gt; Control Panel," and then double-click the "Display" icon.</li> <li>• Select the "Settings" tab.</li> <li>• Verify that your display resolution setting is lower than or equal to 1600 x 1200 or 1920 x 1080.</li> <li>• Click the "Advanced Properties" button.</li> </ul> </li> <li>• If the problem still appears, change the monitor display you are using and follow the steps below:             <ul style="list-style-type: none"> <li>• Verify that the resolution setting is lower than or equal to 1600 x 1200 or 1920 x 1080.</li> <li>• Click the "Change" button under the "Monitor" tab.</li> <li>• Click "Show all devices &gt; Standard monitor types" under the SP box, and choose the resolution mode you need under the "Models" box.</li> <li>• Verify that the resolution setting of the monitor display is lower than or equal to 1600 x 1200 or 1920 x 1080.</li> </ul> </li> </ul>

3	Partial, scrolling or incorrectly displayed image (For notebooks)	<ul style="list-style-type: none"> <li>• For an incorrectly displayed image:             <ul style="list-style-type: none"> <li>• Follow the steps for item 2 (above) to adjust the resolution of your computer.</li> <li>• Press the toggle output settings. Example: [Fn]+[F4], Compaq [Fn]+[F4], Dell [Fn]+[F8], Gateway [Fn]+[F4], IBM [Fn]+[F7], HP [Fn]+[F4], NEC [Fn]+[F3], Toshiba [Fn]+[F5]</li> </ul> </li> <li>• If you experience difficulty changing resolutions or your monitor freezes, restart all equipment including the projector.</li> </ul>
4	The screen of the notebook computer is not displaying your presentation	<ul style="list-style-type: none"> <li>• If you are using a Microsoft® Windows® based notebook: Some notebook PCs may deactivate their own screens when a second display device is in use. Each has a different way to be reactivated. Refer to your computer's manual for detailed information.</li> <li>• If you are using an Apple® Mac® OS based notebook: In System Preferences, open Display and select Video Mirroring "On."</li> </ul>
5	Image is unstable or flickering	<ul style="list-style-type: none"> <li>• Change the display color setting on your computer.</li> </ul>
6	Image has vertical flickering bar	<ul style="list-style-type: none"> <li>• Check and reconfigure the display mode of your graphics card to make it compatible with the projector.</li> </ul>
7	Image is out of focus	<ul style="list-style-type: none"> <li>• Adjust the focus ring on the projector lens.</li> <li>• Make sure the projection screen is within the required distance. (Refer to "Projection distance" section for more information.) Refer to the "How to Get a Preferred Image Size by Adjusting Distance and Zoom" section for more information.</li> </ul>
8	Image is stretched when displaying a "widescreen" DVD title	<p>When you play a DVD encoded in anamorphic or 16:9 aspect ratio you may need to adjust the following settings:</p> <ul style="list-style-type: none"> <li>• If you play a 4:3 format DVD title, please change the format to 4:3 with the projector OSD.</li> <li>• If the image is still stretched, you will also need to adjust the aspect ratio. Set up the display format to 16:9 (wide) aspect ratio on your DVD player.</li> </ul>
9	Image is too small or too large	<ul style="list-style-type: none"> <li>• Adjust the zoom lever on the top of the projector.</li> <li>• Move the projector closer to or further from the screen.</li> <li>• Press "MENU" on the control panel or remote control. Go to "IMAGE" &gt; "Aspect Ratio" and try different settings.</li> </ul>

10	Image has slanted sides	<ul style="list-style-type: none"> <li>• If possible, reposition the projector so that it is centered on the screen and below the bottom of the screen.</li> <li>• Press the Keystone correction keys on the control panel or remote control until the image becomes square.</li> </ul>
11	Image is reversed	<ul style="list-style-type: none"> <li>• Select "INSTALLATION" &gt; "Projection" on the OSD and adjust the projection direction.</li> </ul>

## Problems with the Projector

#	Condition	Solution
1	The projector stops responding to all controls	<ul style="list-style-type: none"> <li>• If possible, turn off the projector, then unplug the power cord and wait at least 30 seconds before reconnecting power.</li> <li>• Make sure that the panel key lock function is disabled.</li> </ul>
2	Lamp burns out or makes a popping sound	When the lamp reaches the end of its useful life, it will burn out and may make a loud popping sound. If this happens, the projector will not turn on until the lamp module has been replaced. To replace the lamp, contact your local dealer or Acer service center.

## OSD Messages

#	Condition	Message Reminder
1	Message	<p>Replace the lamp - the lamp is about to reach its maximum lifetime. Prepare to replace it soon.</p> <p><b>Lamp is approaching the end of its useful life in full power operation. Replacement suggested!</b></p>

# LED & Alarm Definition Listing

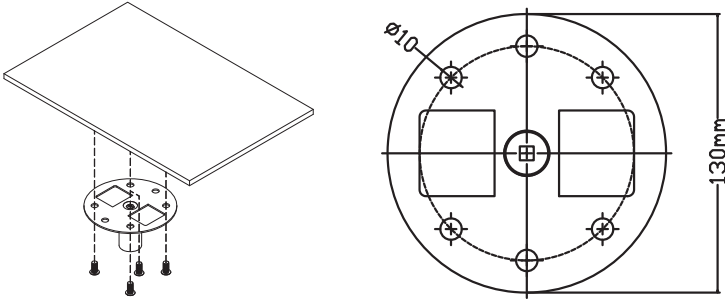
## LED Messages

Message	Power LED	LAMP LED	TEMP LED
Standby (Power cord plugged in)	Red	--	--
Power on	Blue flashing	--	--
Normal operation	Blue	--	--
Cooling state	Red flashing	--	--
Downloading	Red flashing	Red flashing	Red flashing
Error (Phosphor/Color wheel start failure)	Blue	Red	--
Error (Phosphor/Color wheel spin failure)	Blue	Red flashing	--
Error (Scaler reset failure)	Red	Red	
Lamp error during normal operation	--	Red	--
Error (Lamp is not lit up)	--	Red	--
Error (Fan 1 failure)	Red	--	Red
Error (Fan 2 failure)	Red	--	Red flashing
Error (Fan 3 failure)	Red	--	Blue
Error (Thermal failure)	Blue	--	Red

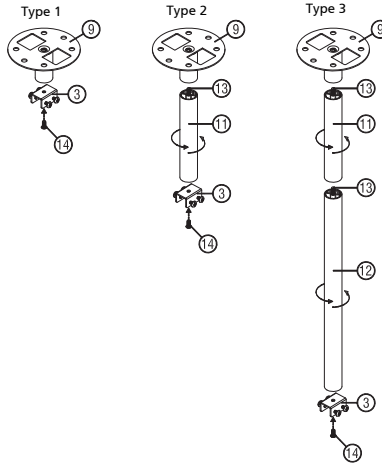
# Ceiling Mount Installation

If you wish to install the projector using a ceiling mount, please refer to the steps below:

- 1 Drill four holes into a solid, structurally sound part of the ceiling, and secure the mount base.

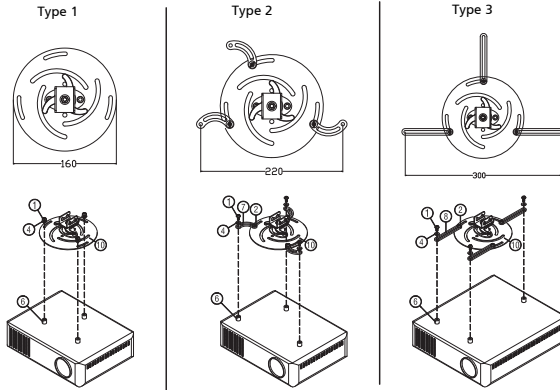


- 2 Choose the length combination based on actual environment. (CM-01S doesn't include Type 2 and Type 3.)



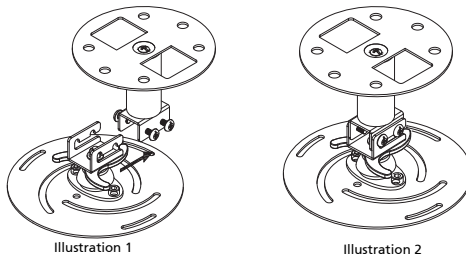
- 3 Type 1: For the standard size use three bracket screws to mount the projector to the ceiling mount bracket.

Type 2 and Type 3: Alternatively, for the larger size, use the sliding extensions for more supports.

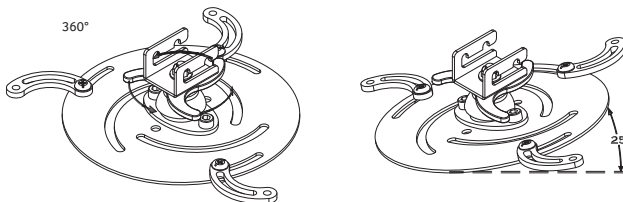


**Note:** It is recommended that you keep a reasonable space between the bracket and the projector to allow for proper heat distribution.

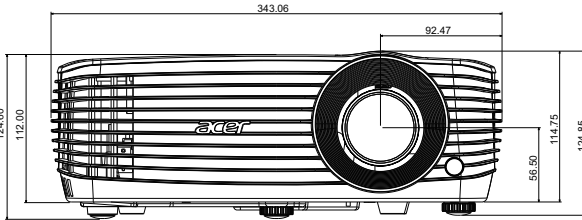
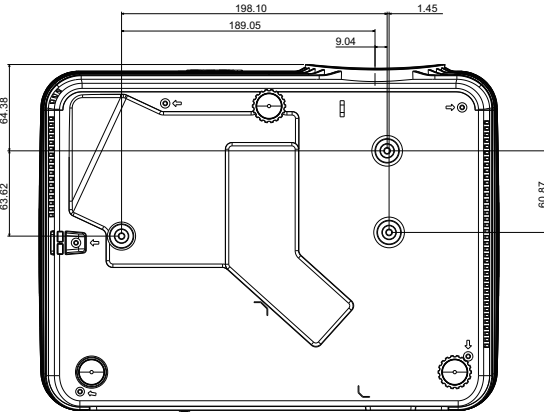
- 4 Connect the main body connector to the projector bracket (illustration 1), and then screw up four screws (illustration 2).



- 5 Adjust the angle and positioning as necessary.



Screw Type B		Washer Type	
Diameter (mm)	Length (mm)	Large	Small
4	25	V	V



Unit: mm



## Specifications

The specifications below are subject to change without notice. For final specs, please refer to Acer's marketing documentation.

Projection system	DLP™
Computer compatibility	Refer to the "Compatibility Modes" section for more information.
Video compatibility	UHDTV (2160P), HDTV (720p, 1080i, 1080p), EDTV (480p, 576p), SDTV (480i, 576i)
Displayable colors	1.07 billion colors
Digital zoom	N/A
Weight	Approximate 4 kg (8.81 lbs.)
Dimensions (W x D x H)	343 x 258 x 114.8 mm (13.5" x 10.2" x 4.5") 343 x 258 x 124.9 mm (13.5" x 10.2" x 4.9") (with tilt adjusting wheels)
Power supply	Universal AC input 100 - 240 V, input frequency 50/60 Hz
Operating temperature	0°C to 40°C / 32°F to 104°F
Standard package contents	<ul style="list-style-type: none"> <li>• AC power cord x 1</li> <li>• Remote control x 1</li> <li>• Battery x 2 (for the remote control)</li> <li>• Quick start guide x 1</li> </ul>
Accessory (optional)	<ul style="list-style-type: none"> <li>• User's guide (CD-ROM) x 1</li> <li>• VGA cable x 1</li> <li>• HDMI cable x 1</li> <li>• Security card x 1</li> <li>• Carrying case x 1</li> </ul>

**H6805BD/E8605/HE-4K11/GM830/VH-731**

Resolution	3840 x 2160 with XPR 1920 x 1080 without XPR
Aspect ratio	Auto, 4:3, 16:9, 16:10
Projection lens	F = 2.0 – 2.05, f = 15.843 mm – 17.445 mm, 1:1.1 Manual Zoom and Manual Focus
Projection screen size (diagonal)	27" – 300" (68.6 cm – 762 cm)
Projection distance	1.0 – 11.0 m
Throw ratio	1.50 – 1.65 (100" ± 3% @ 3.23 m)
Horizontal scan rate	15 – 200 KHz
Vertical refresh scan rate	10 – 200 Hz
Keystone correction	+/-40 Degrees (Vertical), Manual
Audio	10W speaker x 1
Power consumption	Standard mode: 335 W @100 VAC ECO mode: 270 W @ 100 VAC Standby mode: < 0.5 W

**H6810BD/E8610P/HE-4K13P/GM832P/VH-733P/H6810+**

Resolution	3840 x 2160 with XPR 1920 x 1080 without XPR
Aspect ratio	Auto, 4:3, 16:9, 16:10
Projection lens	F = 1.94 – 2.06, f = 15.57 mm – 18.67 mm, 1:1.2 Manual Zoom and Manual Focus
Projection screen size (diagonal)	26" – 300" (66 cm – 762 cm)
Projection distance	1.0 – 11.7 m
Throw ratio	1.47~1.76 (100"±3%@3.25m)
Horizontal scan rate	15 – 200 KHz
Vertical refresh scan rate	10 – 200 Hz
Keystone correction	+/-40 Degrees (Vertical), Manual
Audio	10W speaker x 1
Power consumption	Standard mode: 335 W @100 VAC ECO mode: 270 W @ 100 VAC Standby mode: < 0.5 W

I/O connectors	H6805BD/ E8605/HE- 4K 11/GM830/ VH-73 1/ H6810BD/ E8610P/HE- 4K 13P/ GM832P/VH- 733P/H68 10+
Power socket	V
DC 5V OUT	V
VGA IN	V
RS232	V
AUDIO IN	V
AUDIO OUT	V
HDMI 1 (UHD 4K)	V
HDMI 2	V
SERVICE	V
DC 12V OUT	V

\* Design and specifications are subject to change without notice.

# Compatibility Modes

## 1 VGA Analog - PC Signal

Mode	Resolution	V.Frequency [Hz]	H.Frequency [KHz]
VGA	640 x 480	60	31.47
		72	37.86
		75	37.50
		85	43.27
SVGA	800 x 600	56	35.20
		60	37.88
		72	48.08
		75	46.88
		85	53.67
XGA	1024 x 768	60	48.36
		70	56.48
		75	60.02
		85	68.68
SXGA	1152 x 864	70	63.85
		75	67.50
		85	77.10
	1280 x 1024	60	63.98
		72	76.97
		75	79.98
		85	91.15
QuadVGA	1280 x 960	60	60.00
	1280 x 960	75	75.00
SXGA+	1400 x 1050	60	65.32
UXGA	1600 x 1200	60	75.00
PowerBook G4	640 x 480	60	31.50
	640 x 480	66.6 (67)	35.00
	800 x 600	60	37.88
	1024 x 768	60	48.36
	1024 x 768	75	60.241
	1152 x 870	75	68.681

WXGA	1280 x 768	60	47.78
	1280 x 768	75	60.29
	1280 x 768	85	68.63
	1280 x 720	60	45.00
	1280 x 800	60	49.70
	1440 x 900	60	55.94
WSXGA+	1680 x 1050	60	65.29
acer_16:9	1366 x 768	60	47.71
HD 1080	1920 x 1080-RB	60	66.60
	1920 x 1080-EIA	60	67.50
WUXGA	1920 x 1200-RB	59.95	74.04

## 2 HDMI - PC Signal

Mode	Resolution	V.Frequency [Hz]	H.Frequency [KHz]
VGA_60	640 x 480	59.94	31.469
VGA_72		72.809	37.861
VGA_75		75	37.5
VGA_85		85.008	43.269
SVGA_56	800 x 600	56.25	35.156
SVGA_60		60.317	37.879
SVGA_72		72.188	48.077
SVGA_75		75	46.875
SVGA_85		85.061	53.674
XGA_60	1024 x 768	60.004	48.363
XGA_70		70.069	56.476
XGA_75		75.029	60.023
XGA_120		119.98	97.551
SXGA_75	1152 x 864	75	67.5
SXGA_85		84.99	77.094
SXGA_60	1280 x 1024	60.02	63.981
SXGA_72		72	76.97
SXGA_75		75.025	79.976
SXGA_85		85.024	91.146
QuadVGA_75	1280 x 960	75	75
SXGA+_60	1400 x 1050	59.978	65.317
UXGA_60	1600 x 1200	60	75
Mac G4	640 x 480@60Hz	59.94	31.469
MAC13	640 x 480@67Hz	66.667	35

Mac G4	800 x 600@60Hz	60.317	37.879
Mac G4	1024 x 768@60Hz	60.004	48.363
MAC19	1024 x 768@75Hz	75.02	60.241
MAC21	1152 x 870@75Hz	75.061	68.681
WXGA_60	1280 x 768	59.87	47.776
WXGA_75		74.893	60.289
WXGA_85		84.837	68.633
WXGA_60	1280 x 720	60	45
WXGA_120		120	90
WXGA_60	1280 x 800	59.81	49.702
WXGA+_60	1440 x 900	59.887	55.935
1680 x1050_60	1680 x 1050	59.954	65.29
acer_16:9	1366 x 768	59.79	47.712
1920 x 1080_RB	1920 x1080	60	66.587
1920 x 1080_EIA	1920 x1080	60	67.5
1920 x 1080_120	1920 x 1080	120.00	135.00
1920 x 1200_RB	1920 x 1200	59.95	74.038
1920 x 1440	1920 x 1440	60.00	90.00
2048 x 1152_RB	2048 x 1152	60.00	72.00
2048 x 1536_RB	2048 x 1536	60.00	94.769
3840 x 2160_24	3840 x 2160	24.00	54.00
3840 x 2160_25	3840 x 2160	25.00	56.25
3840 x 2160_30	3840 x 2160	30.00	67.5
3840 x 2160_50 (HDMI 1)	3840 x 2160	50	112.50
3840 x 2160_60 (HDMI 1)	3840 x 2160	60	135

### 3 HDMI - Video Signal

Mode	Resolution	V.Frequency [Hz]	H.Frequency [KHz]
480i	720 x 480 (1440 x 480)	60	15.73
480p	720 x 480	60	31.47
576i	720 x 576 (1440 x 576)	50	15.63
576p	720 x 576	50	31.25
720p	1280 x 720	60	45.00
720p	1280 x 720	50	37.50
1080i	1920 x 1080	60	33.75

1080i	1920 x 1080	50	28.13
1080p	1920 x 1080	120.00	135.00
1080p	1920 x 1080	60	67.50
1080p	1920 x 1080	50	56.26
1080p	1920 x 1080	24	27.00
1080p	1920 x 1080	23.98	26.97
1080p	1920 x 1080	30	33.75
2160/24P	3840 x 2160	24	54
2160/25P	3840 x 2160	25	56.25
2160/30P	3840 x 2160	30	67.5
2160/50P (HDMI 1)	3840 x 2160	50	112.5
2160/60P (HDMI 1)	3840 x 2160	60	135

# Regulations and safety notices

## FCC notice

This device has been tested and found to comply with the limits for a Class B digital device pursuant to Part 15 of the FCC rules. These limits are designed to provide reasonable protection against harmful interference in a residential installation. This device generates, uses, and can radiate radio frequency energy and, if not installed and used in accordance with the instructions, may cause harmful interference to radio communications.

However, there is no guarantee that interference will not occur in a particular installation. If this device does cause harmful interference to radio or television reception, which can be determined by turning the device off and on, the user is encouraged to try to correct the interference by one or more of the following measures:

- Reorient or relocate the receiving antenna.
- Increase the separation between the device and receiver.
- Connect the device into an outlet on a circuit different from that to which the receiver is connected.
- Consult the dealer or an experienced radio/television technician for help.

## Notice: Shielded cables

All connections to other computing devices must be made using shielded cables to maintain compliance with FCC regulations.

## Notice: Peripheral devices

Only peripherals (input/output devices, terminals, printers, etc.) certified to comply with the Class B limits may be attached to this equipment. Operation with non-certified peripherals is likely to result in interference to radio and TV reception.

## Caution

Changes or modifications not expressly approved by the manufacturer could void the user's authority, which is granted by the Federal Communications Commission, to operate this device.

## Operation conditions

This device complies with Part 15 of the FCC Rules. Operation is subject to the following two conditions: (1) this device may not cause harmful interference, and (2) this device must accept any interference received, including interference that may cause undesired operation.

## Notice: Canadian users

This Class B digital apparatus complies with Canadian ICES-003.



## Remarque à l'intention des utilisateurs canadiens

Cet appareil numérique de la classe B est conforme à la norme NMB-003 du Canada.

Compliant with Russian regulatory certification



## Radio device regulatory notice



.....  
**Note:** The regulatory information below is for models with wireless LAN and/or Bluetooth only.

### General

This product complies with the radio frequency and safety standards of any country or region in which it has been approved for wireless use. Depending on configurations, this product may or may not contain wireless radio devices (such as wireless LAN and/or Bluetooth modules).

### Canada — Low-power license-exempt radio communication devices (RSS-247)

- a Common information  
 Operation is subject to the following two conditions:
  1. This device may not cause interference, and
  2. This device must accept any interference, including interference that may cause undesired operation of the device.
- b Operation in 2.4 GHz band  
 To prevent radio interference to the licensed service, this device is intended to be operated indoors and installation outdoors is subject to licensing.

### List of applicable countries

This device must be used in strict accordance with the regulations and constraints in the country of use. For further information, please contact a local office in the country of use. Please see <http://ec.europa.eu/enterprise/rtte/implem.htm> for the latest country list.



Acer Incorporated  
8F, 88, Sec. 1, Xintai 5th Rd., Xizhi  
New Taipei City 221, Taiwan

## Declaration of Conformity

We,  
**Acer Incorporated**  
8F, 88, Sec. 1, Xintai 5th Rd., Xizhi, New Taipei City 221, Taiwan

And,  
**Acer Italy s.r.l.**  
Via Lepetit, 40, 20020 Lainate (MI) Italy  
Tel: +39-02-939-921, Fax: +39-02-9399-2913  
www.acer.it

**Product:** Projector  
**Trade Name:** Acer  
**Model Number:** A4K1810/A4K1809

**Marketing Name:** H6805BD/E8605/HE-4K11/GM830/VH-731/  
H6810BD/E8610P/HE-4K13P/GM832P/VH-  
733P/H6810+

We, Acer Incorporated, hereby declare under our sole responsibility that the product described above is in conformity with the relevant Union harmonization legislations as below Directive and following harmonized standards and/or other relevant standards have been applied:

<input checked="" type="checkbox"/> <b>EMC Directive: 2014/30/EU</b>	
<input checked="" type="checkbox"/> EN 55032:2012+AC:2013, Class B	<input checked="" type="checkbox"/> EN 61000-3-2:2014
<input checked="" type="checkbox"/> EN 55024:2010/A1:2015	<input checked="" type="checkbox"/> EN 61000-3-3:2013
<input checked="" type="checkbox"/> <b>LVD Directive: 2014/35/EU</b>	
<input checked="" type="checkbox"/> EN 60950-1:2006/A11:2009/A1:2010/A12:2011/A2:2013	
<input checked="" type="checkbox"/> <b>RoHS Directive: 2011/65/EU</b>	
<input checked="" type="checkbox"/> EN 50581:2012	
<input checked="" type="checkbox"/> <b>ErP Directive: 2009/125/EC</b>	
<input type="checkbox"/> Regulation (EU) No. 617/2013	<input type="checkbox"/> Regulation (EC) No. 278/2009; EN 50563:2011
<input checked="" type="checkbox"/> Regulation (EC) No. 1275/2008; EN 50564:2011	

Year to begin affixing CE marking 2019.

  
RU Jan/Sr. Manager  
Acer Incorporated (Taipei, Taiwan)

June 19, 2019  
Date



**Acer America Corporation**  
 333 West San Carlos St.,  
 Suite 1500  
 San Jose, CA 95110  
 U. S. A.  
 Tel: 254-298-4000  
 Fax: 254-298-4147  
 www.acer.com



## Federal Communications Commission Declaration of Conformity

This device complies with Part 15 of the FCC Rules. Operation is subject to the following two conditions: (1) this device may not cause harmful interference, and (2) this device must accept any interference received, including interference that may cause undesired operation.

The following local Manufacturer /Importer is responsible for this declaration:

Product:	DLP Projector
Model Number:	A4K1810 /A4K1809 series
Name of Responsible Party:	Acer America Corporation
Address of Responsible Party:	333 West San Carlos St. Suite 1500 San Jose, CA 95110 U. S. A.
Contact Person:	Acer Representative
Phone No.:	254-298-4000
Fax No.:	254-298-4147