

MDR-RF895RK/RF995RK

MDR-RF895R/RF995R/TMR-RF895R/RF995R

SERVICE MANUAL

Ver. 1.0 2017.01

US Model
Canadian Model
 MDR-RF995R/RF995RK/TMR-RF995R
AEP Model
UK Model
 MDR-RF895R/RF895RK/TMR-RF895R

- MDR-RF895RK/RF995RK are composed of following models.

	MDR-RF895RK	MDR-RF995RK
Wireless stereo headphones	MDR-RF895R	MDR-RF995R
RF stereo transmitter	TMR-RF895R	TMR-RF995R

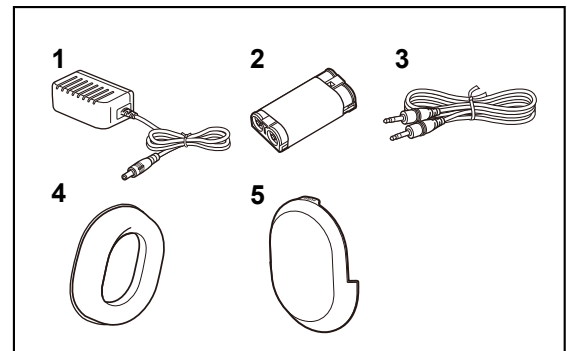
- The service policy of these models are Product Exchange.
 The following parts are available for service parts of these models.

PARTS LIST

Ref. No.	Part No.	Description	Remark	Ref. No.	Part No.	Description	Remark
	4-691-893-11	MANUAL, INSTRUCTION (ENGLISH) (RF995RK)		△ 1	9-885-216-08	AC ADAPTOR (AC-MS1202C) (for RF stereo transmitter) (RF995RK)	
	4-691-893-21	MANUAL, INSTRUCTION (FRENCH, SPANISH) (RF995RK)		△ 1	9-885-216-09	AC ADAPTOR (AC-MS1202C) (for RF stereo transmitter) (RF895RK: AEP, EE)	
	4-691-894-11	MANUAL, INSTRUCTION (ENGLISH, FRENCH) (RF895RK: AEP, UK)		△ 1	9-885-216-10	AC ADAPTOR (AC-MS1202C) (for RF stereo transmitter) (RF895RK: UK)	
	4-691-894-21	MANUAL, INSTRUCTION (GERMAN, SPANISH) (RF895RK: AEP)		2	9-885-216-11	BATTERY, NICKEL HYDROGEN (Rechargeable nickel-metal hydride battery BP-HP800-11) (for Wireless stereo headphones) (RF995RK)	
	4-691-894-31	MANUAL, INSTRUCTION (DUTCH, ITALIAN) (RF895RK: AEP)		2	9-885-216-12	BATTERY, NICKEL HYDROGEN (Rechargeable nickel-metal hydride battery BP-HP800-11) (for Wireless stereo headphones) (RF895RK)	
	4-691-894-41	MANUAL, INSTRUCTION (PORTUGUESE, CZECH) (RF895RK: AEP)		3	9-885-216-13	CABLE, CONNECTION (Stereo mini cable (stereo mini plug), 1.5 m)	
	4-691-894-51	MANUAL, INSTRUCTION (HUNGARIAN, BULGARIAN) (RF895RK: AEP)		4	9-885-216-14	PAD, EAR (1 piece) (for Wireless stereo headphones)	
	4-691-894-61	MANUAL, INSTRUCTION (POLISH, SLOVAK) (RF895RK: AEP)		5	9-885-217-38	LID, BATTERY (with Cushion) (for Wireless stereo headphones)	
	4-691-894-71	MANUAL, INSTRUCTION (SLOVENIAN, ROMANIAN) (RF895RK: AEP)					
	4-691-894-81	MANUAL, INSTRUCTION (GREEK) (RF895RK: AEP)					
	4-691-894-91	MANUAL, INSTRUCTION (RUSSIAN, UKRAINIAN) (RF895RK: EE)					

The components identified by mark △ or dotted line with mark △ are critical for safety.
 Replace only with part number specified.

Les composants identifiés par une marque △ sont critiques pour la sécurité.
 Ne les remplacer que par une pièce portant le numéro spécifié.



Abbreviations

- AEP : European (Except for Ireland, UK), Eastern Europe (Except for Hungary), CIS area (Moldova) models
- EE : Eastern Europe (Hungary), CIS area (Except for Moldova) models
- UK : European (Ireland, UK), Middle East area (UAE) models

WIRELESS STEREO HEADPHONE SYSTEM

9-896-374-01

2017A00-1

© 2017.01

Sony Video & Sound Products Inc.

SONY®

