

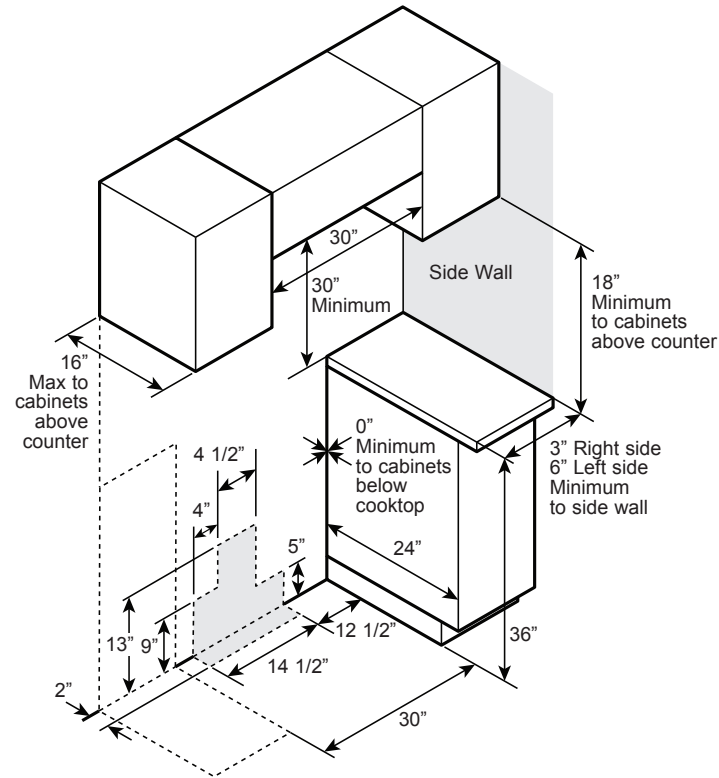
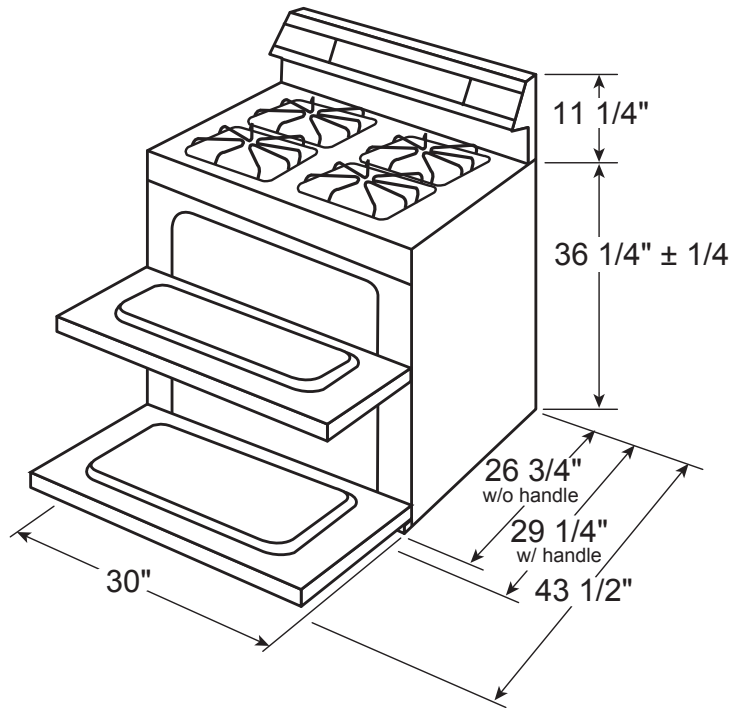
# JGBS86SP/EP

## GE® 30" Free-Standing Gas Double Oven Convection Range

### DIMENSIONS AND INSTALLATION INFORMATION (IN INCHES)

**ELECTRICAL RATING:** 120V, 60Hz, 15A

**INSTALLATION INFORMATION:** Before installing, consult installation instructions packed with product for current dimensional data.



For answers to your Monogram, GE Café™, GE Profile™ or GE Appliances product questions, visit our website at [geappliances.com](http://geappliances.com) or call GE Answer Center® Service, 800.626.2000.



All GE Appliances ranges are equipped with an Anti-Tip device. The installation of this device is an important, required step in the installation of the range.



# JGBS86SP/EP

## GE® 30" Free-Standing Gas Double Oven Convection Range

### FEATURES AND BENEFITS

**No Preheat Air Fry** – Cook healthier, crispier versions of your favorite foods in less time, thanks to an air fryer right in your oven that doesn't require preheating, a basket or a special tray

**Edge-to-Edge Cooktop** – Continuous, edge-to-edge cooktop give you a large cooking space and can handle any cookware.

**Integrated Griddle** – This integrated non-stick griddle leads the industry in size and quality, so you can cook a lot of food at once.

**Power Boil Burner** – This 15,000-BTU power boil element produces intense heat to boil water fast.

**Center Oval Burner** – This center oval burner gives you a fifth burner and the perfect place to use griddles or odd-size cookware.

**Steam Clean** – A steam cleaning option cleans the oven cavity in a 30-minute cycle with less odor and heat.

**Precise Simmer Burner** – This burner setting provides low, even heat so delicate dishes don't burn.

**Heavy Duty, Dishwasher-Safe Grates** – These cooktop grates can be cleaned one of two ways – either in the dishwasher, or on the bottom of a self-clean oven.

**Large Capacity Double Oven** – Cook an entire meal at once with a 6.8 cubic foot total capacity double oven which provides enough room for multiple dishes.

**Sealed Cooktop Burners** – Sealed cooktop burners contain cooking spills so cleanup is quick and easy.

**Deep-Recessed Cooktop** – This deep-recessed gas cooktop contains cooking spills and makes it easier to clean up.

Model JGBS86SPSS – Stainless Steel

Model JGBS86EPES – Slate

