

TC52x/TC57x Trigger Handle Installation Guide

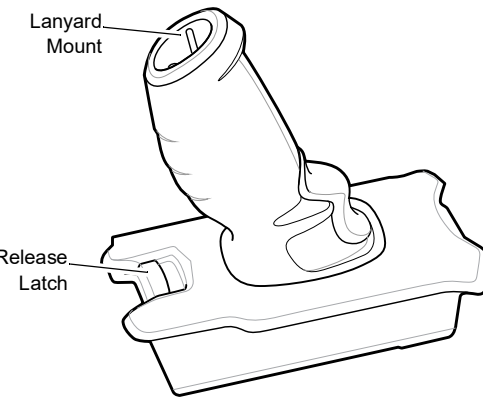
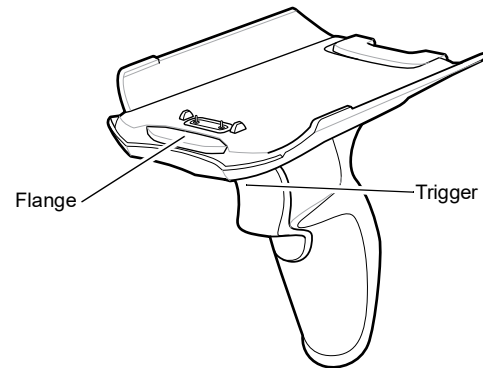


MN-004007-01EN — July 28, 2020

Zebra Technologies | 3 Overlook Point | Lincolnshire, IL 60069 USA
www.zebra.com

ZEBRA and the stylized Zebra head are trademarks of Zebra Technologies Corp., registered in many jurisdictions worldwide. All other trademarks are the property of their respective owners. © 2020 Zebra Technologies Corp. and/or its affiliates. All rights reserved.

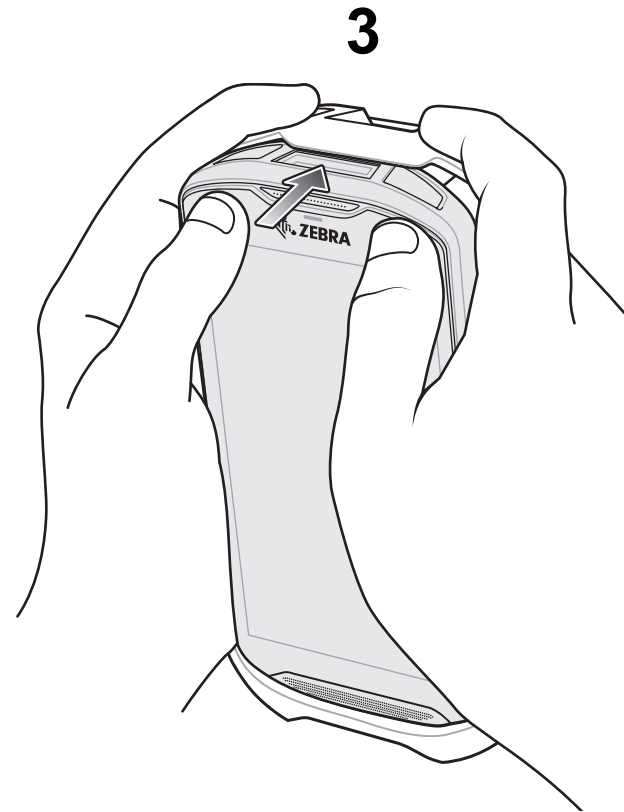
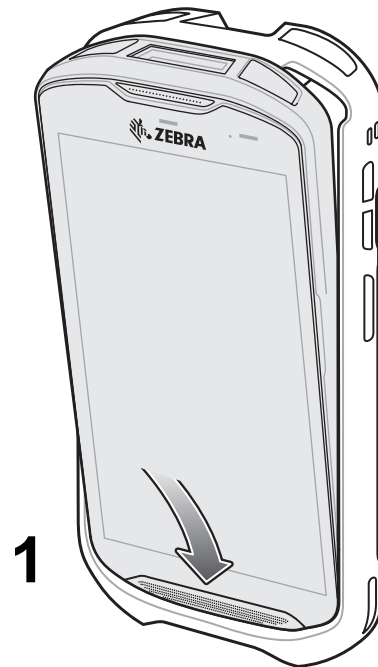
Features



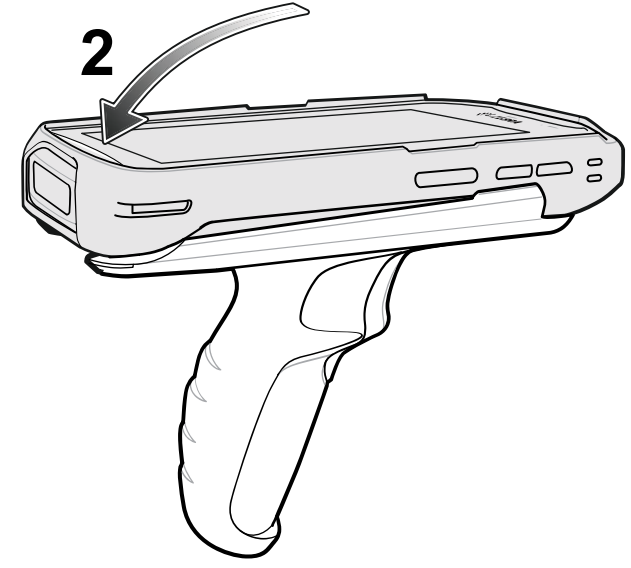
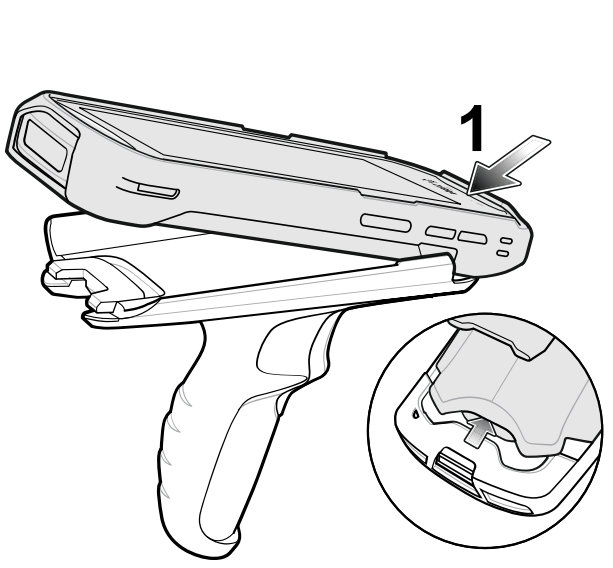
Rugged Boot Installation



NOTE: If hand strap is installed, remove it prior to installation.



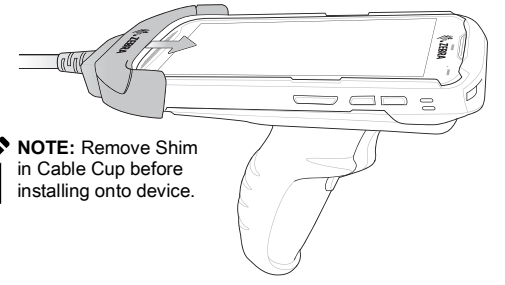
Device Installation



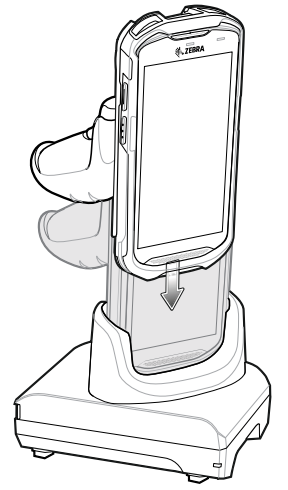
Charging



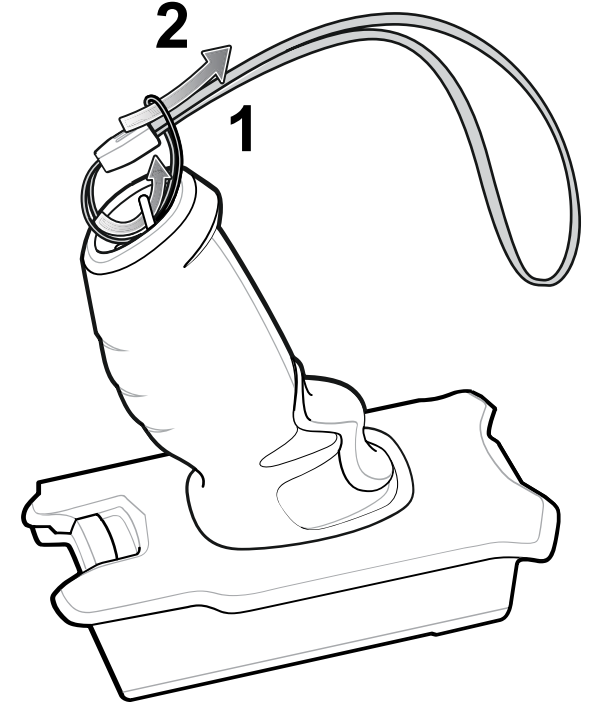
NOTE: Remove Shim in Cable Cup before installing onto device.



NOTE: Remove Shim in Cradle Cup before installing onto device.



Optional Lanyard Installation



Removal

