

TempStar® FL-VER

Front-loading High Temperature Sanitizing
Ventless Door-type with Energy Recovery

Standard Features

- ▶ Ventless: does not require a hood
- ▶ Energy Recovery System
- ▶ Door interlock keeps door locked during cycle
- ▶ Cold water connection only
- ▶ Built-in 70 °F rise booster heater with Sani-Sure™ final rinse system ensures proper rinse water temperature
- ▶ Automatic tank fill
- ▶ Door-actuated start
- ▶ Four (4) selectable timed cycles
- ▶ Top mounted controls
- ▶ Delime/manual wash mode
- ▶ 15 5/8" (397 mm) vertical chamber clearance
- ▶ Specially designed stainless steel nozzles provide superior cleaning action
- ▶ Interchangeable upper and lower wash/rinse arms
- ▶ 1 HP self-draining stainless steel wash pump motor
- ▶ Vent fan control shuts vent fan off when machine is idle
- ▶ Large scrap basket
- ▶ Pressure regulator is provided for installation by others
- ▶ Single point connections for all utilities
- ▶ Field convertible from 3-phase to single phase and vice versa (kit required)
- ▶ Low watt density electric wash tank heater
- ▶ Hi-limit thermostat and low water protection
- ▶ Detergent/rinse additive signal connection fuse box
- ▶ Front stainless steel dress panel
- ▶ Uses standard 20" x 20" racks
- ▶ Adjustable bullet feet
- ▶ Durable stainless steel construction



TempStar® FL-VER

Specification Statement

Specified unit will be a Jackson TempStar front-loading ventless high temperature sanitizing door-type dishwasher with energy recovery, rated by ETL Sanitation to NSF/ANSI Standard 3 and operates on a 3/4" cold water supply. Unit will be ENERGY STAR® certified. Unit to be rated for 41 racks per hour, 0.89 gallons per rack, and will include a built-in 70 °F rise booster heater with Sani-Sure™ final rinse system, four (4) selectable timed cycles, and top mounted controls. Other features include automatic tank fill, delime mode, vent fan control, and 1 HP stainless steel wash pump motor. Constructed of durable stainless steel with adjustable bullet feet.

1-year parts and labor warranty.

Options & Accessories

- ▶ 460V Electrical
- ▶ Single Phase
- ▶ Drain Water Tempering Kit
- ▶ Water Hammer Arrestor
- ▶ Flanged Feet
- ▶ Security Package
- ▶ Scaltrol
- ▶ Replacement Cartridge for Scaltrol
- ▶ 36-Compartment Rack
4-1/8" tall (105 mm)
- ▶ 5-5/8" tall (143 mm)
- ▶ 7" tall (178 mm)
- ▶ Combination Rack
- ▶ Peg Rack

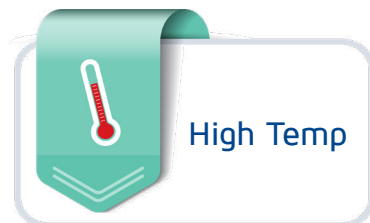


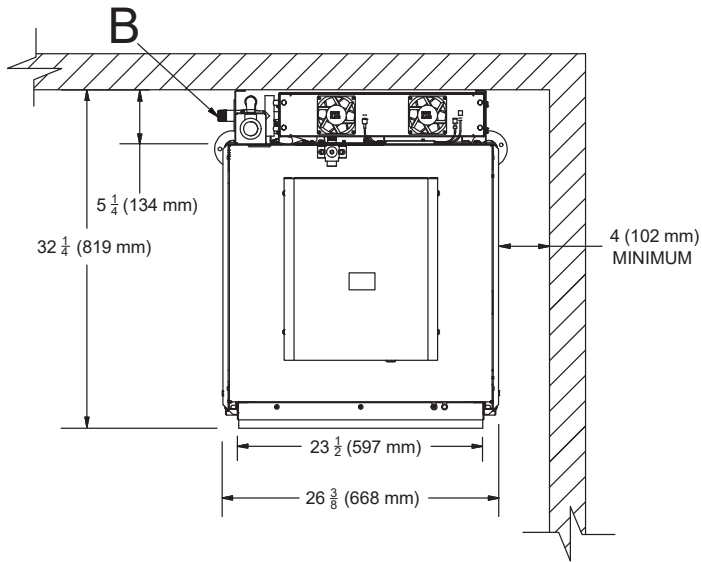
TempStar® FL-VER

The TempStar front-load with ventless and energy recovery provides a great solution for applications with limited space. No hood or dishtables are required with this model, plus it comes with all the same great standard features as the TempStar ventless model. Features include four selectable timed cycles, a built-in booster heater with Sani-Sure™ final rinse, specially designed stainless steel nozzles that provide superior cleaning action, a door interlock and more. Like all Jackson ventless models, this space-saving unit operates on a single cold water connection and provides Clean the First Time® results.

OPERATING CYCLE TIMES (Seconds) | OPERATING CAPACITY (Racks per Hour)

OPERATING CYCLE	CYCLE TIME	RACKS PER HOUR	GALLONS PER HOUR
Normal	:87	41	36.49
Medium	:147	24	21.36
Heavy	:207	17	15.13
Extra Heavy	:327	11	9.79

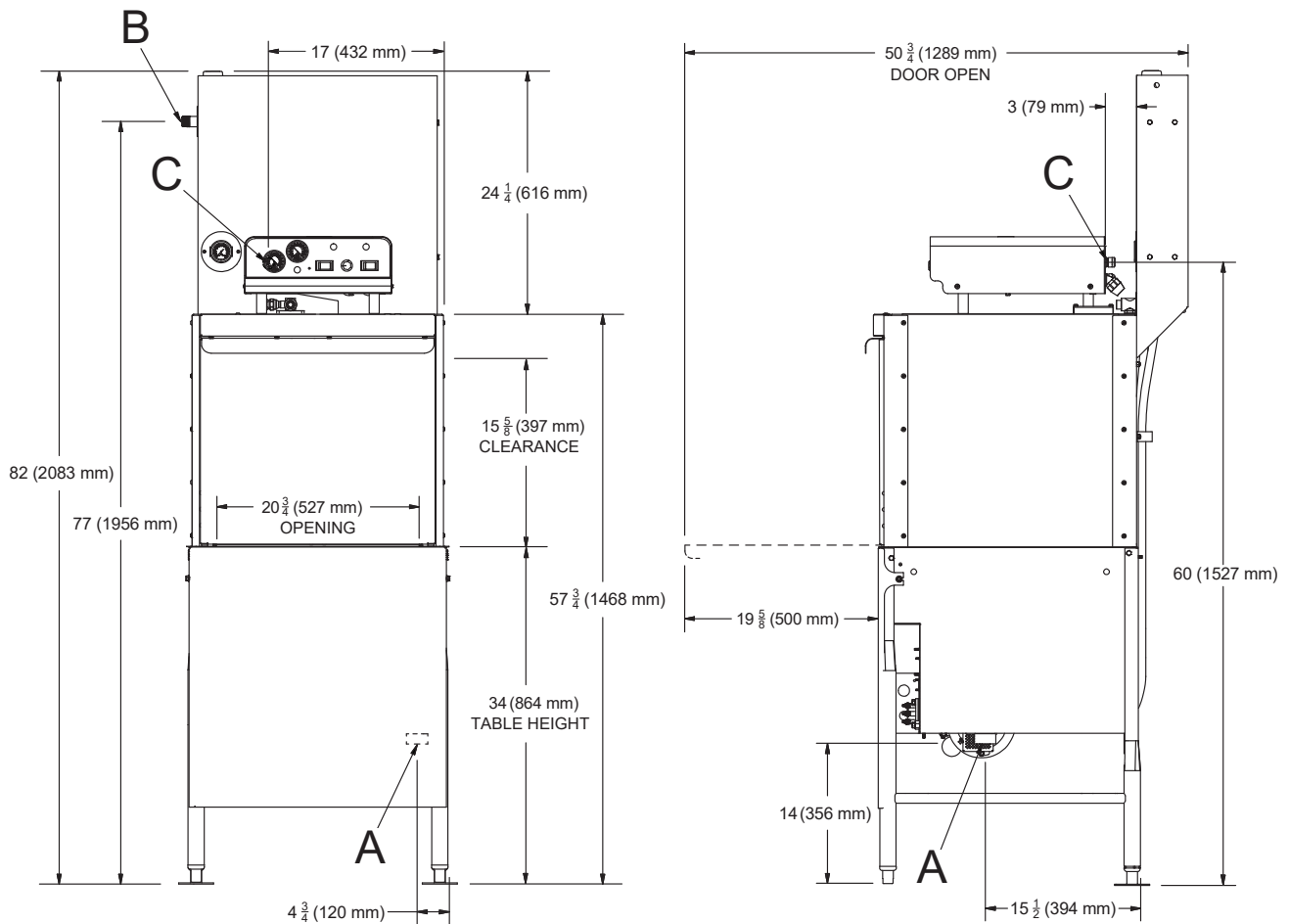




LEGEND

- A - Drain (1 1/2" NPT)
- B - Water Inlet (3/4" NPT)
- C - Electrical Connection

All dimensions from floor can be increased 1 1/8" using the machine's adjustable feet.





Warewashing Systems

TempStar® FL-VER

Front-loading High Temperature Sanitizing
Ventless Door-type with Energy Recovery

Operating Capacity (Normal Cycle)

Racks per Hour	41 (30)*
Dishes per Hour	1,025
Glasses per Hour	1,476

Operating Temperature

Wash Temperature (minimum)	150 °F/66 °C
Rinse Temperature (minimum)	180 °F/82 °C

Operating Cycle (seconds)

	Wash	Rinse	Dwell	Vent	Total Cycle
Normal	40	10	07	30	87
Medium	100	10	07	30	147
Heavy	160	10	07	30	207
Extra Heavy	280	10	07	30	327

Water Consumption

Gallons per Rack	0.89 (2.7 L)
Gallons per Hour	36.49 (138.1 L)
Gallons per Hour**	26.70 (101.1 L)
Wash Tank Capacity (gallons)	8.00 (30.3 L)
Booster Tank Capacity (gallons)	3.00 (11.4 L)

Water Requirements

Incoming Water Temperature	40-90 °F/5-33 °C
Flow Pressure (PSI)	40
Incoming Water Connection (NPT)	3/4"
Drain Connection (ID)	1 1/2"

Electrical Specifications

Wash Pump Motor (HP)	
208V	1
230V	1
460V	3/4
Wash Tank Heater (kW)	
208V	4.1
230V	5.0
460V	5.0
Rinse Tank Heater (kW)	
208V	10.5
230V	12.9
460V	12.9

Power Supply	Total Load	Minimum Circuit Ampacity	Maximum Overcurrent Protection
208/60/3	45.6 A	46.8 A	50.0 A
230/60/3	49.8 A	51.1 A	60.0 A
460/60/3	23.6 A	23.9 A	30.0 A
208/60/1	75.2 A	76.5 A	80.0 A
230/60/1	82.7 A	83.9 A	90.0 A

Heat Output (BTU/HR)

Latent Heat	2100
Sensible Heat	4685

Dimensions

Width	26 3/8" (668 mm)
Depth	32 1/4" (819 mm)
Depth with Door Open	50 3/4" (1289 mm)
Height	82" (2083 mm)
Inside Clearance Height	15 5/8" (397 mm)
Wall Clearance	
Rear	0" (0 mm)
Side (corner installation)	4" (102 mm)
Drain Height	14" (356 mm)
Weight	327 lbs (148 kg)

Shipping Details

Shipping Weight	385 lbs (175 kg)
Shipping Width	42" (1067 mm)
Shipping Depth	42" (1067 mm)
Shipping Height	70" (1778 mm)
Shipping Cube	71.46 cu ft
Shipping Class	200

Advisory: Jackson WWS, Inc. DOES NOT endorse "Tankless On-Demand" water heaters for use with our dishmachines. Jackson WWS, Inc. DOES endorse, and highly recommends, standard "tank" style water heaters, sized to properly handle the water heating requirements of the facility.

*Racks per hour calculated with NSF suggested load time of :30 for front opening dishmachines.

**Gallons per hour calculated with NSF suggested load time of :30 for front opening dishmachines.

Requires some assembly

Contact Jackson

07610-005-09-54 [02/28/23]

Address

6209 N U.S. Highway 25E
Gray, Kentucky 40734

Telephone & Fax

T 888.800.5672
F 606.523.1799

Email

customer.service@jacksonwws.com



JACKSONWWS.COM



JACKSON WAREWASHING SYSTEMS



JACKSON WWS

We reserve the right to change specifications in this document without incurring any obligation for equipment previously or subsequently sold.