

4AC13L

FORM NO. A4AC13L-7,8 - 100 (09/2012)

Features and Benefits

- R410a Refrigerant
- High-quality condenser coil with copper tubing and enhanced louvered fin for maximum heat transfer capacity
- Top discharge directs hot air away from living area and shrubbery
- All units factory run tested
- Available with louvered panel coil protection option
- Easy access to electrical panels
- Corner mounted service valves for easy hook-up and service
- Liquid line filter drier shipped loose
- Charged for 15 feet of interconnecting tubing
- All units ETL and ETLIC approved and AHRI certified



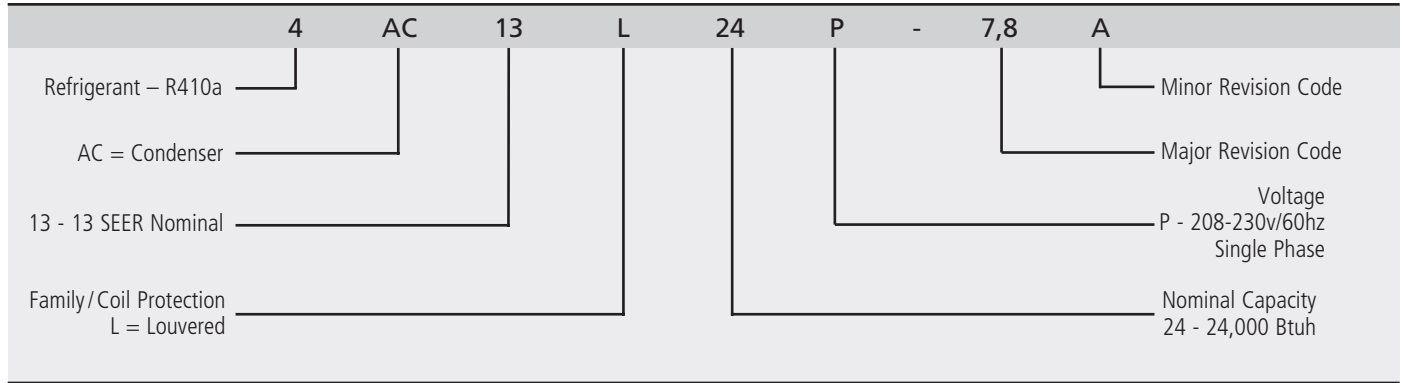
WARRANTY

- 10 year limited warranty on compressor, 10 year limited warranty on all parts, extended warranty available*

*Warranty provides for a total of 10 years of limited warranty coverage (Standard 5-year limited parts warranty plus an additional 5-year limited extended parts warranty). Warranty must be registered online within 60 days of installation to qualify for 10-year coverage. Unregistered equipment defaults to 5-year coverage. Lifetime limited heat exchanger warranty applies to registered equipment only (Standard 20 years with no online registration). See full warranty at www.alliedair.com for terms, conditions and exclusions.

13 SEER Split System Air Conditioner

Model Number Guide



Electrical and Physical Data

Model	Voltage/ Hz/ Phase	Voltage Range	Min. Circuit (Amps)	Max. Fuse (Amps)†	Compressor		Fan Motor			Refrig. Charge (oz.)† †	Shipping Weight (lbs.)
					Rated Load (Amps)	Locked Rotor (Amps)	Full Load (Amps)	Rated HP	Nom. RPM		Louvered
4AC13*18P-7, 8	208-230/60/1	197-253	10.90	15	8.1	39	0.7	1/10	1010	62	136
4AC13*24P-7, 8	208-230/60/1	197-253	14.10	20	10.7	53	0.7	1/10	1010	63	137
4AC13*30P-7, 8	208-230/60/1	197-253	15.60	25	11.6	59	1.1	1/5	1090	82	147
4AC13*36P-7, 8	208-230/60/1	197-253	20.10	35	15.2	70	1.1	1/5	1090	84	149
4AC13*42P-7, 8	208-230/60/1	197-253	28.10	45	21.1	90	1.7	1/4	825	104	194
4AC13*48P-7, 8	208-230/60/1	197-253	31.90	50	24.1	100	1.7	1/4	825	124	192
4AC13*60P-7, 8	208-230/60/1	197-253	29.40	50	22.1	120	1.7	1/4	830	144	205

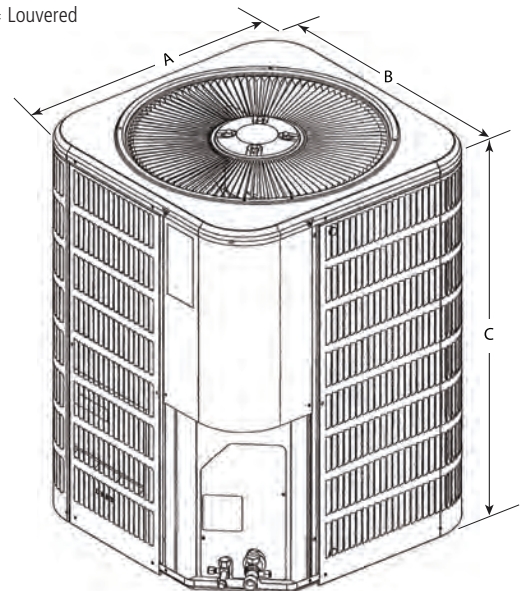
† Overcurrent protection device

† † Factory charge adequate for 15 feet of line set. Adjust per Installation Instructions.

* = Louvered

Unit Dimensions & Sound Ratings

Model	Dimensions			Sound Ratings (dBa)
	A - width (in.)	B - depth (in.)	C - height (in.)	
4AC13*18P-7, 8	24.25	24.25	25	74
4AC13*24P-7, 8	24.25	24.25	25	74
4AC13*30P-7, 8	24.25	24.25	29	74
4AC13*36P-7, 8	24.25	24.25	29	74
4AC13*42P-7, 8	28.25	28.25	29	79
4AC13*48P-7, 8	28.25	28.25	33	79
4AC13*60P-7, 8	28.25	28.25	29	80



* = Louvered

Note: Dimensions listed are unit sizes w/o packaging

Cooling Performance with Evaporator Coils

Outdoor Model	Indoor Model	SEER	EER	Rated AHRI Capacity ¹ BTUH	Rated Sensible Capacity BTUH	CFM	Refrigerant Connection				Refrigerant Line Size		Indoor Metering Device	
	Evaporator Coil ³						Outdoor		Indoor		Suction	Liquid	Piston ²	TXV
							Suction	Liquid	Suction	Liquid				
4AC13*18P-7, 8	E(C,H,M,U)1P23(A,B)+TDR	13.00	11.00	17600	12800	650	5/8	3/8	3/4	3/8	5/8	3/8 or 1/4	0.053	A4TXV01
	E(C,M,U)1P24(A,B)+TDR	13.00	11.00	17600	12800	650	5/8	3/8	3/4	3/8	5/8	3/8 or 1/4	0.053	A4TXV01
	E(C,H,M,U)1P29A+TDR	13.00	11.00	17600	12800	650	5/8	3/8	3/4	3/8	5/8	3/8 or 1/4	0.053	A4TXV01
4AC13*24P-7, 8	E(C,H,M,U)1P23(A,B)+TDR	13.00	11.00	22800	16800	800	5/8	3/8	3/4	3/8	5/8	3/8 or 1/4	0.057	A4TXV01
	E(C,M,U)1P24(A,B)+TDR	13.00	11.00	22800	16800	800	5/8	3/8	3/4	3/8	5/8	3/8 or 1/4	0.057	A4TXV01
	E(C,H,M,U)1P29A+TDR	13.00	11.00	22800	16800	800	5/8	3/8	3/4	3/8	5/8	3/8 or 1/4	0.057	A4TXV01
	E(C,M,U)1P30(A,B)+TDR	13.00	11.00	22800	16800	800	5/8	3/8	3/4	3/8	5/8	3/8 or 1/4	0.057	A4TXV01
	E(C,H,M,U)1P36(A,B,C)+TDR	13.00	11.00	22800	16800	800	5/8	3/8	3/4	3/8	5/8	3/8 or 1/4	0.057	A4TXV01
4AC13*30P-7, 8	E(C,H,M,U)1P23(A,B)+TDR	13.00	11.00	28000	20400	1000	3/4	3/8	3/4	3/8	3/4	3/8	0.063	A4TXV01
	E(C,M,U)1P24(A,B)+TDR	13.00	11.00	28000	20400	1000	3/4	3/8	3/4	3/8	3/4	3/8	0.063	A4TXV01
	E(C,H,M,U)1P29A+TDR	13.00	11.00	28000	20400	1000	3/4	3/8	3/4	3/8	3/4	3/8	0.063	A4TXV01
	E(C,M,U)1P30(A,B)+TDR	13.00	11.00	28000	20400	1000	3/4	3/8	3/4	3/8	3/4	3/8	0.063	A4TXV01
	E(C,H,M,U)1P36(A,B,C)+TDR	13.00	11.00	28000	20400	1000	3/4	3/8	3/4	3/8	3/4	3/8	0.063	A4TXV01
4AC13*36P-7, 8	E(C,H,M,U)1P36(B,C)+TDR	13.00	11.00	34000	25000	1200	3/4	3/8	7/8	3/8	3/4	3/8	0.072	A4TXV01
	E(C,H,M,U)1P43(B,C)+TDR	13.00	11.00	34000	25000	1200	3/4	3/8	7/8	3/8	3/4	3/8	0.072	A4TXV01
	E(C,H,M,U)1P50C+TDR	13.00	11.00	34000	25000	1200	3/4	3/8	7/8	3/8	3/4	3/8	0.072	A4TXV01
4AC13*42P-7, 8	E(C,H,M,U)1P43C+TDR	13.00	11.00	40000	29200	1400	3/4	3/8	7/8	3/8	3/4	3/8	0.075	A4TXV01
	E(C,H,U)1P49C+TDR	13.00	11.00	40000	29200	1400	3/4	3/8	7/8	3/8	3/4	3/8	0.075	A4TXV01
	E(C,H,M,U)1P50C+TDR	13.00	11.00	40000	29200	1400	3/4	3/8	7/8	3/8	3/4	3/8	0.075	A4TXV01
4AC13*48P-7, 8	E(C,H,U)1P49C+TDR	13.00	11.00	47000	34300	1600	7/8	3/8	7/8	3/8	7/8	3/8	0.082	A4TXV02
	E(C,H,U)1P62C+TDR	13.00	11.00	47000	34300	1600	7/8	3/8	7/8	3/8	7/8	3/8	0.082	A4TXV02
	E(C,H,U)1P62D+TDR	13.00	11.00	47000	34300	1600	7/8	3/8	7/8	3/8	7/8	3/8	0.082	A4TXV02
4AC13*60P-7, 8	E(C,H,U)1P49C+TDR	13.00	11.00	57000	41000	1800	7/8	3/8	7/8	3/8	7/8	3/8	0.090	A4TXV02
	E(C,H,U)1P62C+TDR	13.00	11.00	57000	41000	1800	7/8	3/8	7/8	3/8	7/8	3/8	0.090	A4TXV02
	E(C,H,U)1P62D+TDR	13.00	11.00	57000	41000	1800	7/8	3/8	7/8	3/8	7/8	3/8	0.090	A4TXV02

¹Certified in accordance with Unitary Air Conditioner Certification Program, which is based on AHRI Standard 210/240.

²Required to achieve AHRI rating.

³A blower time delay relay is required to achieve AHRI rating. This feature is standard on all Allied Air Enterprises furnace and Air Handler products.

* = Louvered

13 SEER Split System Air Conditioner

Cooling Performance with Air Handlers and Furnaces 18

Outdoor Model	Indoor Model	Variable Speed Furnace	SEER	EER	Rated ARI Capacity ¹ BTUH	Rated Sensible Capacity BTUH	CFM	Refrigerant Connection				Refrigerant Line Size		Indoor Expansion Device		
	Evaporator Coil or Air Handler ³							Outdoor		Indoor		Suction	Liquid	Piston ²	TXV	
								Suction	Liquid	Suction	Liquid					
4AC13L 18P-7,8	BCS2M18C****P		13.00	11.00	17600	12800	650	5/8	3/8	3/4	3/8	5/8	3/8 or 1/4	0.053	A4TXV01	
	BCS3M18C****P		13.00	11.00	17600	12800	650	5/8	3/8	3/4	3/8	5/8	3/8 or 1/4	0.053	A4TXV01	
	BCE3M18C****P		13.00	11.00	17600	12800	650	5/8	3/8	3/4	3/8	5/8	3/8 or 1/4	0.053	A4TXV01	
	BCS2M24V****P		14.00	12.00	17600	12800	650	5/8	3/8	3/4	3/8	5/8	3/8 or 1/4	0.053	A4TXV01	
	E(C,H,M,U)1P23B	EFV08BC		14.00	12.00	17600	12800	650	5/8	3/8	3/4	3/8	5/8	3/8 or 1/4	0.053	A4TXV01
	E(C,H,M,U)1P23A	A80DF1E045A12		13.50	11.50	17600	12800	650	5/8	3/8	3/4	3/8	5/8	3/8 or 1/4	0.053	A4TXV01
	E(C,H,M,U)1P23B	A80DF1E070B12		14.00	12.00	17600	12800	650	5/8	3/8	3/4	3/8	5/8	3/8 or 1/4	0.053	A4TXV01
	E(C,H,M,U)1P23A	A80DF2V070A12		14.00	12.00	17600	12800	650	5/8	3/8	3/4	3/8	5/8	3/8 or 1/4	0.053	A4TXV01
	E(C,H,M,U)1P23A	A80UH1E045A12*		14.00	12.00	17600	12800	650	5/8	3/8	3/4	3/8	5/8	3/8 or 1/4	0.053	A4TXV01
	E(C,H,M,U)1P23B	A80UH1E070B12*		14.00	12.00	17600	12800	650	5/8	3/8	3/4	3/8	5/8	3/8 or 1/4	0.053	A4TXV01
	E(C,H,M,U)1P23A	A80UH2V070A12		14.00	12.00	17600	12800	650	5/8	3/8	3/4	3/8	5/8	3/8 or 1/4	0.053	A4TXV01
	E(C,H,M,U)1P23B	A80UH2V090B12		14.00	12.00	17600	12800	650	5/8	3/8	3/4	3/8	5/8	3/8 or 1/4	0.053	A4TXV01
	E(C,H,M,U)1P23B	A80UH2V090B16		14.00	12.00	17600	12800	650	5/8	3/8	3/4	3/8	5/8	3/8 or 1/4	0.053	A4TXV01
	E(C,H,M,U)1P23B	A95DF1E045B12S		13.50	11.50	17600	12800	650	5/8	3/8	3/4	3/8	5/8	3/8 or 1/4	0.053	A4TXV01
	E(C,H,M,U)1P23B	A95DF2V045B12S		14.00	12.00	17600	12800	650	5/8	3/8	3/4	3/8	5/8	3/8 or 1/4	0.053	A4TXV01
	E(C,H,M,U)1P23B	A95DF2V070B16S		14.00	12.00	17600	12800	650	5/8	3/8	3/4	3/8	5/8	3/8 or 1/4	0.053	A4TXV01
	E(C,H,M,U)1P23B	A95UH1E045B12S		13.50	11.50	17600	12800	650	5/8	3/8	3/4	3/8	5/8	3/8 or 1/4	0.053	A4TXV01
	E(C,H,M,U)1P23B	A95UH1E070B12S		14.00	12.00	17600	12800	650	5/8	3/8	3/4	3/8	5/8	3/8 or 1/4	0.053	A4TXV01
	E(C,H,M,U)1P23B	A95UH2V045B12S		14.00	12.00	17600	12800	650	5/8	3/8	3/4	3/8	5/8	3/8 or 1/4	0.053	A4TXV01
	E(C,H,M,U)1P23B	A95UH2V070B12S		14.00	12.00	17600	12800	650	5/8	3/8	3/4	3/8	5/8	3/8 or 1/4	0.053	A4TXV01
	E(C,H,M,U)1P23B	A97DSMV070B12		14.00	12.00	17600	12800	650	5/8	3/8	3/4	3/8	5/8	3/8 or 1/4	0.053	A4TXV01
	E(C,H,M,U)1P23B	A97USMV070B12		14.00	12.00	17600	12800	650	5/8	3/8	3/4	3/8	5/8	3/8 or 1/4	0.053	A4TXV01
	E(C,H,M,U)1P23B	A96DFMV070B12		14.00	12.00	17600	12800	650	5/8	3/8	3/4	3/8	5/8	3/8 or 1/4	0.053	A4TXV01
	E(C,H,M,U)1P23B	A96UHMV070B12		14.00	12.00	17600	12800	650	5/8	3/8	3/4	3/8	5/8	3/8 or 1/4	0.053	A4TXV01
	E(C,H,M,U)1P23B	LB*80*84/95V14		14.00	12.00	17600	12800	650	5/8	3/8	3/4	3/8	5/8	3/8 or 1/4	0.053	A4TXV01
	E(C,H,M,U)1P23B	LH*80*84/95V12		14.00	12.00	17600	12800	650	5/8	3/8	3/4	3/8	5/8	3/8 or 1/4	0.053	A4TXV01
	E(C,H,M,U)1P23B	LUF80*57/72V12		14.00	12.00	17600	12800	650	5/8	3/8	3/4	3/8	5/8	3/8 or 1/4	0.053	A4TXV01
	E(C,H,M,U)1P23B	LUF80*84/95V14		14.00	12.00	17600	12800	650	5/8	3/8	3/4	3/8	5/8	3/8 or 1/4	0.053	A4TXV01
	E(C,H,M,U)1P24B	EFV08BC		14.00	12.00	17600	12800	650	5/8	3/8	3/4	3/8	5/8	3/8 or 1/4	0.053	A4TXV01
	E(C,H,M,U)1P24A	A80DF1E045A12		14.00	12.00	17600	12800	650	5/8	3/8	3/4	3/8	5/8	3/8 or 1/4	0.053	A4TXV01

Note:

¹ Certified in accordance with Unitary Air Conditioner Certification Program, which is based on AHRI Standard 210/240

² Required to achieve AHRI rating. If NA (Not Applicable) is in the piston column, then TXV is required.

³ A blower time delay relay is required to achieve AHRI rating. This feature is standard on all Allied Air Enterprises furnace and AH products.

Cooling Performance with Air Handlers and Furnaces 18, 24

Outdoor Model	Indoor Model	Variable Speed Furnace	SEER	EER	Rated ARI Capacity ¹ BTUH	Rated Sensible Capacity BTUH	CFM	Refrigerant Connection				Refrigerant Line Size		Indoor Expansion Device	
	Evaporator Coil or Air Handler ³							Outdoor		Indoor		Suction	Liquid	Piston ²	TXV
								Suction	Liquid	Suction	Liquid				
4AC13L 18P-7,8	E(C,H,M,U)1P24B	A80DF1E070B12	14.00	12.00	17600	12800	650	5/8	3/8	3/4	3/8	5/8	3/8 or 1/4	0.053	A4TXV01
	E(C,H,M,U)1P24A	A80DF2V070A12	14.00	12.00	17600	12800	650	5/8	3/8	3/4	3/8	5/8	3/8 or 1/4	0.053	A4TXV01
	E(C,H,M,U)1P24A	A80UH1E045A12*	14.00	12.00	17600	12800	650	5/8	3/8	3/4	3/8	5/8	3/8 or 1/4	0.053	A4TXV01
	E(C,H,M,U)1P24B	A80UH1E070B12*	14.00	12.00	17600	12800	650	5/8	3/8	3/4	3/8	5/8	3/8 or 1/4	0.053	A4TXV01
	E(C,H,M,U)1P24A	A80UH2V070A12	14.00	12.00	17600	12800	650	5/8	3/8	3/4	3/8	5/8	3/8 or 1/4	0.053	A4TXV01
	E(C,H,M,U)1P24B	A80UH2V090B12	14.00	12.00	17600	12800	650	5/8	3/8	3/4	3/8	5/8	3/8 or 1/4	0.053	A4TXV01
	E(C,H,M,U)1P24B	A80UH2V090B16	14.00	12.00	17600	12800	650	5/8	3/8	3/4	3/8	5/8	3/8 or 1/4	0.053	A4TXV01
	E(C,H,M,U)1P24B	A95DF1E045B12S	13.50	11.00	17600	12800	650	5/8	3/8	3/4	3/8	5/8	3/8 or 1/4	0.053	A4TXV01
	E(C,H,M,U)1P24B	A95DF2V045B12S	14.00	12.00	17600	12800	650	5/8	3/8	3/4	3/8	5/8	3/8 or 1/4	0.053	A4TXV01
	E(C,H,M,U)1P24B	A95DF2V070B16S	14.00	12.00	17600	12800	650	5/8	3/8	3/4	3/8	5/8	3/8 or 1/4	0.053	A4TXV01
	E(C,H,M,U)1P24B	A95UH1E045B12S	13.50	11.00	17600	12800	650	5/8	3/8	3/4	3/8	5/8	3/8 or 1/4	0.053	A4TXV01
	E(C,H,M,U)1P24B	A95UH1E070B12S	14.00	12.00	17600	12800	650	5/8	3/8	3/4	3/8	5/8	3/8 or 1/4	0.053	A4TXV01
	E(C,H,M,U)1P24B	A95UH2V045B12S	14.00	12.00	17600	12800	650	5/8	3/8	3/4	3/8	5/8	3/8 or 1/4	0.053	A4TXV01
	E(C,H,M,U)1P24B	A95UH2V070B12S	14.00	12.00	17600	12800	650	5/8	3/8	3/4	3/8	5/8	3/8 or 1/4	0.053	A4TXV01
	E(C,H,M,U)1P24B	A97DSMV070B12	14.00	12.00	17600	12800	650	5/8	3/8	3/4	3/8	5/8	3/8 or 1/4	0.053	A4TXV01
	E(C,H,M,U)1P24B	A97USMV070B12	14.00	12.00	17600	12800	650	5/8	3/8	3/4	3/8	5/8	3/8 or 1/4	0.053	A4TXV01
	E(C,H,M,U)1P24B	A96DFMV070B12	14.00	12.00	17600	12800	650	5/8	3/8	3/4	3/8	5/8	3/8 or 1/4	0.053	A4TXV01
	E(C,H,M,U)1P24B	A96UHMV070B12	14.00	12.00	17600	12800	650	5/8	3/8	3/4	3/8	5/8	3/8 or 1/4	0.053	A4TXV01
	E(C,H,M,U)1P24B	LB*80*84/95V14	14.00	12.00	17600	12800	650	5/8	3/8	3/4	3/8	5/8	3/8 or 1/4	0.053	A4TXV01
	E(C,H,M,U)1P24B	LH*80*84/95V12	14.00	12.00	17600	12800	650	5/8	3/8	3/4	3/8	5/8	3/8 or 1/4	0.053	A4TXV01
	E(C,H,M,U)1P24B	LUF80*57/72V12	14.00	12.00	17600	12800	650	5/8	3/8	3/4	3/8	5/8	3/8 or 1/4	0.053	A4TXV01
	E(C,H,M,U)1P24B	LUF80*84/95V14	14.00	12.00	17600	12800	650	5/8	3/8	3/4	3/8	5/8	3/8 or 1/4	0.053	A4TXV01
	E(C,H,M,U)1P29B	EFV08BC	14.00	12.00	17600	12800	650	5/8	3/8	3/4	3/8	5/8	3/8 or 1/4	0.053	A4TXV01
	E(C,H,M,U)1P29A	A80DF1E045A12	14.00	12.00	17600	12800	650	5/8	3/8	3/4	3/8	5/8	3/8 or 1/4	0.053	A4TXV01
	E(C,H,M,U)1P29B	A80DF1E070B12	14.00	12.00	17600	12800	650	5/8	3/8	3/4	3/8	5/8	3/8 or 1/4	0.053	A4TXV01
	E(C,H,M,U)1P29A	A80DF2V070A12	14.00	12.00	17600	12800	650	5/8	3/8	3/4	3/8	5/8	3/8 or 1/4	0.053	A4TXV01
	E(C,H,M,U)1P29A	A80UH1E045A12*	14.00	12.00	17600	12800	650	5/8	3/8	3/4	3/8	5/8	3/8 or 1/4	0.053	A4TXV01
	E(C,H,M,U)1P29B	A80UH1E070B12*	14.00	12.00	17600	12800	650	5/8	3/8	3/4	3/8	5/8	3/8 or 1/4	0.053	A4TXV01
	E(C,H,M,U)1P29A	A80UH2V070A12	14.00	12.00	17600	12800	650	5/8	3/8	3/4	3/8	5/8	3/8 or 1/4	0.053	A4TXV01
	E(C,H,M,U)1P29B	A80UH2V090B12	14.00	12.00	17600	12800	650	5/8	3/8	3/4	3/8	5/8	3/8 or 1/4	0.053	A4TXV01

Note:

¹ Certified in accordance with Unitary Air Conditioner Certification Program, which is based on AHRI Standard 210/240

² Required to achieve AHRI rating. If NA (Not Applicable) is in the piston column, then TXV is required.

³ A blower time delay relay is required to achieve AHRI rating. This feature is standard on all Allied Air Enterprises furnace and AH products.

13 SEER Split System Air Conditioner

Cooling Performance with Air Handlers and Furnaces 18, 24

Outdoor Model	Indoor Model	Variable Speed Furnace	SEER	EER	Rated ARI Capacity ¹ BTUH	Rated Sensible Capacity BTUH	CFM	Refrigerant Connection				Refrigerant Line Size		Indoor Expansion Device	
	Evaporator Coil or Air Handler ³							Outdoor		Indoor		Suction	Liquid	Piston ²	TXV
								Suction	Liquid	Suction	Liquid				
4AC13L 18P-7,8	E(C,H,M,U)1P29B	A80UH2V090B16	14.00	12.00	17600	12800	650	5/8	3/8	3/4	3/8	5/8	3/8 or 1/4	0.053	A4TXV01
	E(C,H,M,U)1P29B	A95DF1E045B12S	13.50	11.50	17600	12800	650	5/8	3/8	3/4	3/8	5/8	3/8 or 1/4	0.053	A4TXV01
	E(C,H,M,U)1P29B	A95DF2V045B12S	14.00	12.00	17600	12800	650	5/8	3/8	3/4	3/8	5/8	3/8 or 1/4	0.053	A4TXV01
	E(C,H,M,U)1P29B	A95DF2V070B16S	14.00	12.00	17600	12800	650	5/8	3/8	3/4	3/8	5/8	3/8 or 1/4	0.053	A4TXV01
	E(C,H,M,U)1P29B	A95UH1E045B12S	14.00	12.00	17600	12800	650	5/8	3/8	3/4	3/8	5/8	3/8 or 1/4	0.053	A4TXV01
	E(C,H,M,U)1P29B	A95UH1E070B12S	14.00	12.00	17600	12800	650	5/8	3/8	3/4	3/8	5/8	3/8 or 1/4	0.053	A4TXV01
	E(C,H,M,U)1P29B	A95UH2V045B12S	14.00	12.00	17600	12800	650	5/8	3/8	3/4	3/8	5/8	3/8 or 1/4	0.053	A4TXV01
	E(C,H,M,U)1P29B	A95UH2V070B12S	14.00	12.00	17600	12800	650	5/8	3/8	3/4	3/8	5/8	3/8 or 1/4	0.053	A4TXV01
	E(C,H,M,U)1P29B	A97DSMV070B12	14.00	12.00	17600	12800	650	5/8	3/8	3/4	3/8	5/8	3/8 or 1/4	0.053	A4TXV01
	E(C,H,M,U)1P29B	A97USMV070B12	14.00	12.00	17600	12800	650	5/8	3/8	3/4	3/8	5/8	3/8 or 1/4	0.053	A4TXV01
	E(C,H,M,U)1P29B	A96DFMV070B12	14.00	12.00	17600	12800	650	5/8	3/8	3/4	3/8	5/8	3/8 or 1/4	0.053	A4TXV01
	E(C,H,M,U)1P29B	A96UHMV070B12	14.00	12.00	17600	12800	650	5/8	3/8	3/4	3/8	5/8	3/8 or 1/4	0.053	A4TXV01
	E(C,H,M,U)1P29B	LB*80*84/95V14	14.00	12.00	17600	12800	650	5/8	3/8	3/4	3/8	5/8	3/8 or 1/4	0.053	A4TXV01
	E(C,H,M,U)1P29B	LH*80*84/95V12	14.00	12.00	17600	12800	650	5/8	3/8	3/4	3/8	5/8	3/8 or 1/4	0.053	A4TXV01
	E(C,H,M,U)1P29B	LUF80*57/72V12	14.00	12.00	17600	12800	650	5/8	3/8	3/4	3/8	5/8	3/8 or 1/4	0.053	A4TXV01
	E(C,H,M,U)1P29B	LUF80*84/95V14	14.00	12.00	17600	12800	650	5/8	3/8	3/4	3/8	5/8	3/8 or 1/4	0.053	A4TXV01
4AC13L 24P-7,8	BCS2M24C****P		13.00	11.00	22800	16800	800	5/8	3/8	3/4	3/8	5/8	3/8 or 1/4	0.057	A4TXV01
	BCS3M24C****P		13.00	11.00	22800	16800	800	5/8	3/8	3/4	3/8	5/8	3/8 or 1/4	0.057	A4TXV01
	BCE3M24C****P		13.00	11.00	22800	16800	800	5/8	3/8	3/4	3/8	5/8	3/8 or 1/4	0.057	A4TXV01
	BCS2M24V****P		14.00	12.00	22800	16800	800	5/8	3/8	3/4	3/8	5/8	3/8 or 1/4	0.057	A4TXV01
	E(C,H,M,U)1P23B	EFV08BC	14.00	12.00	22800	16800	800	5/8	3/8	3/4	3/8	5/8	3/8 or 1/4	0.057	A4TXV01
	E(C,H,M,U)1P23A	A80DF1E045A12	13.50	11.00	22800	16800	800	5/8	3/8	3/4	3/8	5/8	3/8 or 1/4	0.057	A4TXV01
	E(C,H,M,U)1P23A	A80DF2V070A12	14.00	12.00	22800	16800	800	5/8	3/8	3/4	3/8	5/8	3/8 or 1/4	0.057	A4TXV01
	E(C,H,M,U)1P23B	A80DF2V090B16	14.00	12.00	22800	16800	800	5/8	3/8	3/4	3/8	5/8	3/8 or 1/4	0.057	A4TXV01
	E(C,H,M,U)1P23A	A80UH1E045A12*	13.50	11.00	22800	16800	800	5/8	3/8	3/4	3/8	5/8	3/8 or 1/4	0.057	A4TXV01
	E(C,H,M,U)1P23B	A80UH1E070B12*	13.50	11.00	22800	16800	800	5/8	3/8	3/4	3/8	5/8	3/8 or 1/4	0.057	A4TXV01
	E(C,H,M,U)1P23A	A80UH2V070A12	13.50	11.00	22800	16800	800	5/8	3/8	3/4	3/8	5/8	3/8 or 1/4	0.057	A4TXV01
	E(C,H,M,U)1P23B	A80UH2V090B12	13.50	11.00	22800	16800	800	5/8	3/8	3/4	3/8	5/8	3/8 or 1/4	0.057	A4TXV01
	E(C,H,M,U)1P23B	A80UH2V090B16	13.50	11.00	22800	16800	800	5/8	3/8	3/4	3/8	5/8	3/8 or 1/4	0.057	A4TXV01
	E(C,H,M,U)1P23B	A95DF2V045B12S	14.00	12.00	22800	16800	800	5/8	3/8	3/4	3/8	5/8	3/8 or 1/4	0.057	A4TXV01

Note:

¹ Certified in accordance with Unitary Air Conditioner Certification Program, which is based on AHRI Standard 210/240

² Required to achieve AHRI rating. If NA (Not Applicable) is in the piston column, then TXV is required.

³ A blower time delay relay is required to achieve AHRI rating. This feature is standard on all Allied Air Enterprises furnace and AH products.

Cooling Performance with Air Handlers and Furnaces 24

Outdoor Model	Indoor Model	Variable Speed Furnace	SEER	EER	Rated ARI Capacity ¹ BTUH	Rated Sensible Capacity BTUH	CFM	Refrigerant Connection				Refrigerant Line Size		Indoor Expansion Device	
	Evaporator Coil or Air Handler ³							Outdoor		Indoor		Suction	Liquid	Piston ²	TXV
								Suction	Liquid	Suction	Liquid				
4AC13L 24P-7,8	E(C,H,M,U)1P23B	A95DF2V070B16S	13.50	11.00	22800	16800	800	5/8	3/8	3/4	3/8	5/8	3/8 or 1/4	0.057	A4TXV01
	E(C,H,M,U)1P23B	A95UH1E070B12S	14.00	12.00	22800	16800	800	5/8	3/8	3/4	3/8	5/8	3/8 or 1/4	0.057	A4TXV01
	E(C,H,M,U)1P23B	A95UH2V045B12S	14.00	12.00	22800	16800	800	5/8	3/8	3/4	3/8	5/8	3/8 or 1/4	0.057	A4TXV01
	E(C,H,M,U)1P23B	A95UH2V070B12S	14.00	12.00	22800	16800	800	5/8	3/8	3/4	3/8	5/8	3/8 or 1/4	0.057	A4TXV01
	E(C,H,M,U)1P23B	A97DSMV070B12	14.00	12.00	22800	16800	800	5/8	3/8	3/4	3/8	5/8	3/8 or 1/4	0.057	A4TXV01
	E(C,H,M,U)1P23B	A97USMV070B12	14.00	12.00	22800	16800	800	5/8	3/8	3/4	3/8	5/8	3/8 or 1/4	0.057	A4TXV01
	E(C,H,M,U)1P23B	A96UHMV070B12	14.00	12.00	22800	16800	800	5/8	3/8	3/4	3/8	5/8	3/8 or 1/4	0.057	A4TXV01
	E(C,H,M,U)1P23B	LB*80*84/95V14	13.50	11.00	22800	16800	800	5/8	3/8	3/4	3/8	5/8	3/8 or 1/4	0.057	A4TXV01
	E(C,H,M,U)1P23B	LH*80*84/95V12	13.50	11.00	22800	16800	800	5/8	3/8	3/4	3/8	5/8	3/8 or 1/4	0.057	A4TXV01
	E(C,H,M,U)1P23B	LUF80*57/72V12	13.50	11.00	22800	16800	800	5/8	3/8	3/4	3/8	5/8	3/8 or 1/4	0.057	A4TXV01
	E(C,H,M,U)1P23B	LUF80*84/95V14	13.50	11.00	22800	16800	800	5/8	3/8	3/4	3/8	5/8	3/8 or 1/4	0.057	A4TXV01
	E(C,H,M,U)1P24B	EFV08BC	13.50	11.00	22800	16800	800	5/8	3/8	3/4	3/8	5/8	3/8 or 1/4	0.057	A4TXV01
	E(C,H,M,U)1P24A	A80DF1E045A12	13.50	11.00	22800	16800	800	5/8	3/8	3/4	3/8	5/8	3/8 or 1/4	0.057	A4TXV01
	E(C,H,M,U)1P24A	A80DF2V070A12	13.50	11.00	22800	16800	800	5/8	3/8	3/4	3/8	5/8	3/8 or 1/4	0.057	A4TXV01
	E(C,H,M,U)1P24B	A80DF2V090B16	13.50	11.00	22800	16800	800	5/8	3/8	3/4	3/8	5/8	3/8 or 1/4	0.057	A4TXV01
	E(C,H,M,U)1P24A	A80UH1E045A12*	13.50	11.00	22800	16800	800	5/8	3/8	3/4	3/8	5/8	3/8 or 1/4	0.057	A4TXV01
	E(C,H,M,U)1P24B	A80UH1E070B12*	13.50	11.00	22800	16800	800	5/8	3/8	3/4	3/8	5/8	3/8 or 1/4	0.057	A4TXV01
	E(C,H,M,U)1P24A	A80UH2V070A12	13.50	11.00	22800	16800	800	5/8	3/8	3/4	3/8	5/8	3/8 or 1/4	0.057	A4TXV01
	E(C,H,M,U)1P24B	A80UH2V090B12	13.50	11.00	22800	16800	800	5/8	3/8	3/4	3/8	5/8	3/8 or 1/4	0.057	A4TXV01
	E(C,H,M,U)1P24B	A80UH2V090B16	13.50	11.00	22800	16800	800	5/8	3/8	3/4	3/8	5/8	3/8 or 1/4	0.057	A4TXV01
	E(C,H,M,U)1P24B	A95DF2V045B12S	13.50	11.00	22800	16800	800	5/8	3/8	3/4	3/8	5/8	3/8 or 1/4	0.057	A4TXV01
	E(C,H,M,U)1P24B	A95DF2V070B16S	13.50	11.00	22800	16800	800	5/8	3/8	3/4	3/8	5/8	3/8 or 1/4	0.057	A4TXV01
	E(C,H,M,U)1P24B	A95UH1E070B12S	13.50	11.00	22800	16800	800	5/8	3/8	3/4	3/8	5/8	3/8 or 1/4	0.057	A4TXV01
	E(C,H,M,U)1P24B	A95UH2V045B12S	14.00	12.00	22800	16800	800	5/8	3/8	3/4	3/8	5/8	3/8 or 1/4	0.057	A4TXV01
	E(C,H,M,U)1P24B	A95UH2V070B12S	14.00	12.00	22800	16800	800	5/8	3/8	3/4	3/8	5/8	3/8 or 1/4	0.057	A4TXV01
	E(C,H,M,U)1P24B	A97DSMV070B12	13.50	11.00	22800	16800	800	5/8	3/8	3/4	3/8	5/8	3/8 or 1/4	0.057	A4TXV01
	E(C,H,M,U)1P24B	A97USMV070B12	14.00	12.00	22800	16800	800	5/8	3/8	3/4	3/8	5/8	3/8 or 1/4	0.057	A4TXV01
	E(C,H,M,U)1P24B	A96DFMV070B12	13.50	11.00	22800	16800	800	5/8	3/8	3/4	3/8	5/8	3/8 or 1/4	0.057	A4TXV01
	E(C,H,M,U)1P24B	A96UHMV070B12	14.00	12.00	22800	16800	800	5/8	3/8	3/4	3/8	5/8	3/8 or 1/4	0.057	A4TXV01
	E(C,H,M,U)1P24B	LB*80*84/95V14	13.50	11.00	22800	16800	800	5/8	3/8	3/4	3/8	5/8	3/8 or 1/4	0.057	A4TXV01

Note:

¹ Certified in accordance with Unitary Air Conditioner Certification Program, which is based on AHRI Standard 210/240² Required to achieve AHRI rating. If NA (Not Applicable) is in the piston column, then TXV is required³ A blower time delay relay is required to achieve AHRI rating. This feature is standard on all Allied Air Enterprises furnace and AH products.

13 SEER Split System Air Conditioner

Cooling Performance with Air Handlers and Furnaces 24

Outdoor Model	Indoor Model	Variable Speed Furnace	SEER	EER	Rated ARI Capacity ¹ BTUH	Rated Sensible Capacity BTUH	CFM	Refrigerant Connection				Refrigerant Line Size		Indoor Expansion Device		
	Evaporator Coil or Air Handler ³							Outdoor		Indoor		Suction	Liquid	Piston ²	TXV	
								Suction	Liquid	Suction	Liquid					
4AC13L 24P-7,8	E(C,H,M,U)1P24B	LH*80*84/95V12	13.50	11.00	22800	16800	800	5/8	3/8	3/4	3/8	5/8	3/8 or 1/4	0.057	A4TXV01	
	E(C,H,M,U)1P24B	LUF80*57/72V12	13.50	11.00	22800	16800	800	5/8	3/8	3/4	3/8	5/8	3/8 or 1/4	0.057	A4TXV01	
	E(C,H,M,U)1P24B	LUF80*84/95V14	13.50	11.00	22800	16800	800	5/8	3/8	3/4	3/8	5/8	3/8 or 1/4	0.057	A4TXV01	
	E(C,H,M,U)1P29B	EFV08BC		14.00	12.00	22800	16800	800	5/8	3/8	3/4	3/8	5/8	3/8 or 1/4	0.057	A4TXV01
	E(C,H,M,U)1P29A	A80DF1E045A12		13.50	11.00	22800	16800	800	5/8	3/8	3/4	3/8	5/8	3/8 or 1/4	0.057	A4TXV01
	E(C,H,M,U)1P29B	A80DF1E070B12		13.50	11.00	22800	16800	800	5/8	3/8	3/4	3/8	5/8	3/8 or 1/4	0.057	A4TXV01
	E(C,H,M,U)1P29A	A80DF2V070A12		14.00	12.00	22800	16800	800	5/8	3/8	3/4	3/8	5/8	3/8 or 1/4	0.057	A4TXV01
	E(C,H,M,U)1P29B	A80DF2V090B16		14.00	12.00	22800	16800	800	5/8	3/8	3/4	3/8	5/8	3/8 or 1/4	0.057	A4TXV01
	E(C,H,M,U)1P29A	A80UH1E045A12*		13.50	11.00	22800	16800	800	5/8	3/8	3/4	3/8	5/8	3/8 or 1/4	0.057	A4TXV01
	E(C,H,M,U)1P29B	A80UH1E070B12*		13.50	11.00	22800	16800	800	5/8	3/8	3/4	3/8	5/8	3/8 or 1/4	0.057	A4TXV01
	E(C,H,M,U)1P29A	A80UH2V070A12		14.00	12.00	22800	16800	800	5/8	3/8	3/4	3/8	5/8	3/8 or 1/4	0.057	A4TXV01
	E(C,H,M,U)1P29B	A80UH2V090B12		14.00	12.00	22800	16800	800	5/8	3/8	3/4	3/8	5/8	3/8 or 1/4	0.057	A4TXV01
	E(C,H,M,U)1P29B	A80UH2V090B16		13.50	11.00	22800	16800	800	5/8	3/8	3/4	3/8	5/8	3/8 or 1/4	0.057	A4TXV01
	E(C,H,M,U)1P29B	A95DF2V045B12S		14.00	12.00	22800	16800	800	5/8	3/8	3/4	3/8	5/8	3/8 or 1/4	0.057	A4TXV01
	E(C,H,M,U)1P29B	A95DF2V070B16S		13.50	11.00	22800	16800	800	5/8	3/8	3/4	3/8	5/8	3/8 or 1/4	0.057	A4TXV01
	E(C,H,M,U)1P29B	A95UH1E070B12S		14.00	12.00	22800	16800	800	5/8	3/8	3/4	3/8	5/8	3/8 or 1/4	0.057	A4TXV01
	E(C,H,M,U)1P29B	A95UH2V045B12S		14.00	12.00	22800	16800	800	5/8	3/8	3/4	3/8	5/8	3/8 or 1/4	0.057	A4TXV01
	E(C,H,M,U)1P29B	A95UH2V070B12S		14.00	12.00	22800	16800	800	5/8	3/8	3/4	3/8	5/8	3/8 or 1/4	0.057	A4TXV01
	E(C,H,M,U)1P29B	A97DSMV070B12		14.00	12.00	22800	16800	800	5/8	3/8	3/4	3/8	5/8	3/8 or 1/4	0.057	A4TXV01
	E(C,H,M,U)1P29B	A97USMV070B12		14.00	12.00	22800	16800	800	5/8	3/8	3/4	3/8	5/8	3/8 or 1/4	0.057	A4TXV01
	E(C,H,M,U)1P29B	A96DFMV070B12		14.00	12.00	22800	16800	800	5/8	3/8	3/4	3/8	5/8	3/8 or 1/4	0.057	A4TXV01
	E(C,H,M,U)1P29B	A96UHMV070B12		14.00	12.00	22800	16800	800	5/8	3/8	3/4	3/8	5/8	3/8 or 1/4	0.057	A4TXV01
	E(C,H,M,U)1P29B	LB*80*84/95V14		13.50	11.00	22800	16800	800	5/8	3/8	3/4	3/8	5/8	3/8 or 1/4	0.057	A4TXV01
	E(C,H,M,U)1P29B	LH*80*84/95V12		13.50	11.00	22800	16800	800	5/8	3/8	3/4	3/8	5/8	3/8 or 1/4	0.057	A4TXV01
	E(C,H,M,U)1P29B	LUF80*57/72V12		13.50	11.00	22800	16800	800	5/8	3/8	3/4	3/8	5/8	3/8 or 1/4	0.057	A4TXV01
	E(C,H,M,U)1P29B	LUF80*84/95V14		13.50	11.00	22800	16800	800	5/8	3/8	3/4	3/8	5/8	3/8 or 1/4	0.057	A4TXV01
	E(C,H,M,U)1P30B	EFV08BC		14.00	12.00	28000	16800	800	5/8	3/8	3/4	3/8	5/8	3/8 or 1/4	0.057	A4TXV01
	E(C,H,M,U)1P30A	A80DF1E045A12		13.50	11.00	22800	16800	800	5/8	3/8	3/4	3/8	5/8	3/8 or 1/4	0.057	A4TXV01
	E(C,H,M,U)1P30B	A80DF1E070B12		13.50	11.00	22800	16800	800	5/8	3/8	3/4	3/8	5/8	3/8 or 1/4	0.057	A4TXV01
	E(C,H,M,U)1P30A	A80DF2V070A12		14.00	12.00	22800	16800	800	5/8	3/8	3/4	3/8	5/8	3/8 or 1/4	0.057	A4TXV01

Note:

¹ Certified in accordance with Unitary Air Conditioner Certification Program, which is based on AHRI Standard 210/240

² Required to achieve AHRI rating. If NA (Not Applicable) is in the piston column, then TXV is required.

³ A blower time delay relay is required to achieve AHRI rating. This feature is standard on all Allied Air Enterprises furnace and AH products.

Cooling Performance with Air Handlers and Furnaces 24

Outdoor Model	Indoor Model	Variable Speed Furnace	SEER	EER	Rated ARI Capacity ¹ BTUH	Rated Sensible Capacity BTUH	CFM	Refrigerant Connection				Refrigerant Line Size		Indoor Expansion Device	
	Evaporator Coil or Air Handler ³							Outdoor		Indoor		Suction	Liquid	Piston ²	TXV
								Suction	Liquid	Suction	Liquid				
4AC13L 24P-7,8	E(C,H,M,U)1P30B	A80DF2V090B16	14.00	12.00	22800	16800	800	5/8	3/8	3/4	3/8	5/8	3/8 or 1/4	0.057	A4TXV01
	E(C,H,M,U)1P30A	A80UH1E045A12*	13.50	11.00	22800	16800	800	5/8	3/8	3/4	3/8	5/8	3/8 or 1/4	0.057	A4TXV01
	E(C,H,M,U)1P30B	A80UH1E070B12*	13.50	11.00	22800	16800	800	5/8	3/8	3/4	3/8	5/8	3/8 or 1/4	0.057	A4TXV01
	E(C,H,M,U)1P30A	A80UH2V070A12	14.00	12.00	22800	16800	800	5/8	3/8	3/4	3/8	5/8	3/8 or 1/4	0.057	A4TXV01
	E(C,H,M,U)1P30B	A80UH2V090B12	14.00	12.00	22800	16800	800	5/8	3/8	3/4	3/8	5/8	3/8 or 1/4	0.057	A4TXV01
	E(C,H,M,U)1P30B	A80UH2V090B16	14.00	12.00	22800	16800	800	5/8	3/8	3/4	3/8	5/8	3/8 or 1/4	0.057	A4TXV01
	E(C,H,M,U)1P30B	A95DF2V045B12S	14.00	12.00	22800	16800	800	5/8	3/8	3/4	3/8	5/8	3/8 or 1/4	0.057	A4TXV01
	E(C,H,M,U)1P30B	A95DF2V070B16S	13.50	11.00	22800	16800	800	5/8	3/8	3/4	3/8	5/8	3/8 or 1/4	0.057	A4TXV01
	E(C,H,M,U)1P30B	A95DF2V090C20S	13.50	11.00	22800	16800	800	5/8	3/8	3/4	3/8	5/8	3/8 or 1/4	0.057	A4TXV01
	E(C,H,M,U)1P30B	A95DF2V110C20S	14.00	12.00	22800	16800	800	5/8	3/8	3/4	3/8	5/8	3/8 or 1/4	0.057	A4TXV01
	E(C,H,M,U)1P30B	A95UH1E070B12S	14.00	12.00	22800	16800	800	5/8	3/8	3/4	3/8	5/8	3/8 or 1/4	0.057	A4TXV01
	E(C,H,M,U)1P30B	A95UH2V045B12S	14.00	12.00	22800	16800	800	5/8	3/8	3/4	3/8	5/8	3/8 or 1/4	0.057	A4TXV01
	E(C,H,M,U)1P30B	A95UH2V070B12S	14.00	12.00	22800	16800	800	5/8	3/8	3/4	3/8	5/8	3/8 or 1/4	0.057	A4TXV01
	E(C,H,M,U)1P30B	A95UH2V090C12S	14.00	12.00	22800	16800	800	5/8	3/8	3/4	3/8	5/8	3/8 or 1/4	0.057	A4TXV01
	E(C,H,M,U)1P30B	A97DSMV070B12	14.00	12.00	22800	16800	800	5/8	3/8	3/4	3/8	5/8	3/8 or 1/4	0.057	A4TXV01
	E(C,H,M,U)1P30B	A97USMV070B12	14.00	12.00	22800	16800	800	5/8	3/8	3/4	3/8	5/8	3/8 or 1/4	0.057	A4TXV01
	E(C,H,M,U)1P30B	A97USMV090C12	14.00	12.00	22800	16800	800	5/8	3/8	3/4	3/8	5/8	3/8 or 1/4	0.057	A4TXV01
	E(C,H,M,U)1P30B	A96DFMV070B12	14.00	12.00	22800	16800	800	5/8	3/8	3/4	3/8	5/8	3/8 or 1/4	0.057	A4TXV01
	E(C,H,M,U)1P30B	A96UHMV070B12	14.00	12.00	22800	16800	800	5/8	3/8	3/4	3/8	5/8	3/8 or 1/4	0.057	A4TXV01
	E(C,H,M,U)1P30B	A96UHMV090C12	14.00	12.00	22800	16800	800	5/8	3/8	3/4	3/8	5/8	3/8 or 1/4	0.057	A4TXV01
	E(C,H,M,U)1P30B	LB*80*84/95V14	13.50	11.00	22800	16800	800	5/8	3/8	3/4	3/8	5/8	3/8 or 1/4	0.057	A4TXV01
	E(C,H,M,U)1P30B	LH*80*84/95V12	13.50	11.00	22800	16800	800	5/8	3/8	3/4	3/8	5/8	3/8 or 1/4	0.057	A4TXV01
	E(C,H,M,U)1P30B	LUF80*57/72V12	13.50	11.00	22800	16800	800	5/8	3/8	3/4	3/8	5/8	3/8 or 1/4	0.057	A4TXV01
	E(C,H,M,U)1P30B	LUF80*84/95V14	13.50	11.00	22800	16800	800	5/8	3/8	3/4	3/8	5/8	3/8 or 1/4	0.057	A4TXV01
	E(C,H,M,U)1P36B	EFV08BC	14.00	12.00	22800	16800	800	5/8	3/8	3/4	3/8	5/8	3/8 or 1/4	0.057	A4TXV01
	E(C,H,M,U)1P36A	A80DF1E045A12	13.50	11.00	22800	16800	800	5/8	3/8	3/4	3/8	5/8	3/8 or 1/4	0.057	A4TXV01
	E(C,H,M,U)1P36B	A80DF1E070B12	13.50	11.00	22800	16800	800	5/8	3/8	3/4	3/8	5/8	3/8 or 1/4	0.057	A4TXV01
	E(C,H,M,U)1P36A	A80DF2V070A12	14.00	12.00	22800	16800	800	5/8	3/8	3/4	3/8	5/8	3/8 or 1/4	0.057	A4TXV01
E(C,H,M,U)1P36B	A80DF2V090B16	14.00	12.00	22800	16800	800	5/8	3/8	3/4	3/8	5/8	3/8 or 1/4	0.057	A4TXV01	
E(C,H,M,U)1P36A	A80UH1E045A12*	14.00	12.00	22800	16800	800	5/8	3/8	3/4	3/8	5/8	3/8 or 1/4	0.057	A4TXV01	

Note:

¹ Certified in accordance with Unitary Air Conditioner Certification Program, which is based on AHRI Standard 210/240

² Required to achieve AHRI rating. If NA (Not Applicable) is in the piston column, then TXV is required.

³ A blower time delay relay is required to achieve AHRI rating. This feature is standard on all Allied Air Enterprises furnace and AH products.

13 SEER Split System Air Conditioner

Cooling Performance with Air Handlers and Furnaces 24, 30

Outdoor Model	Indoor Model	Variable Speed Furnace	SEER	EER	Rated ARI Capacity ¹ BTUH	Rated Sensible Capacity BTUH	CFM	Refrigerant Connection				Refrigerant Line Size		Indoor Expansion Device	
	Evaporator Coil or Air Handler ³							Outdoor		Indoor		Suction	Liquid	Piston ²	TXV
								Suction	Liquid	Suction	Liquid				
4AC13L 24P-7,8	E(C,H,M,U)1P36B	A80UH1E070B12*	13.50	11.50	22800	16800	800	5/8	3/8	3/4	3/8	5/8	3/8 or 1/4	0.057	A4TXV01
	E(C,H,M,U)1P36A	A80UH2V070A12	14.00	12.00	22800	16800	800	5/8	3/8	3/4	3/8	5/8	3/8 or 1/4	0.057	A4TXV01
	E(C,H,M,U)1P36B	A80UH2V090B12	14.00	12.00	22800	16800	800	5/8	3/8	3/4	3/8	5/8	3/8 or 1/4	0.057	A4TXV01
	E(C,H,M,U)1P36B	A80UH2V090B16	14.00	12.00	22800	16800	800	5/8	3/8	3/4	3/8	5/8	3/8 or 1/4	0.057	A4TXV01
	E(C,H,M,U)1P36B	A95DF2V045B12S	14.00	12.00	22800	16800	800	5/8	3/8	3/4	3/8	5/8	3/8 or 1/4	0.057	A4TXV01
	E(C,H,M,U)1P36B	A95DF2V070B16S	13.50	11.00	22800	16800	800	5/8	3/8	3/4	3/8	5/8	3/8 or 1/4	0.057	A4TXV01
	E(C,H,M,U)1P36B	A95DF2V090C20S	14.00	12.00	22800	16800	800	5/8	3/8	3/4	3/8	5/8	3/8 or 1/4	0.057	A4TXV01
	E(C,H,M,U)1P36B	A95DF2V110C20S	14.00	12.00	22800	16800	800	5/8	3/8	3/4	3/8	5/8	3/8 or 1/4	0.057	A4TXV01
	E(C,H,M,U)1P36B	A95UH1E070B12S	14.00	12.00	22800	16800	800	5/8	3/8	3/4	3/8	5/8	3/8 or 1/4	0.057	A4TXV01
	E(C,H,M,U)1P36B	A95UH2V045B12S	14.00	12.00	22800	16800	800	5/8	3/8	3/4	3/8	5/8	3/8 or 1/4	0.057	A4TXV01
	E(C,H,M,U)1P36B	A95UH2V070B12S	14.00	12.00	22800	16800	800	5/8	3/8	3/4	3/8	5/8	3/8 or 1/4	0.057	A4TXV01
	E(C,H,M,U)1P36B	A95UH2V090C12S	14.00	12.00	22800	16800	800	5/8	3/8	3/4	3/8	5/8	3/8 or 1/4	0.057	A4TXV01
	E(C,H,M,U)1P36B	A97DSMV070B12	14.00	12.00	22800	16800	800	5/8	3/8	3/4	3/8	5/8	3/8 or 1/4	0.057	A4TXV01
	E(C,H,M,U)1P36B	A97USMV070B12	14.00	12.00	22800	16800	800	5/8	3/8	3/4	3/8	5/8	3/8 or 1/4	0.057	A4TXV01
	E(C,H,M,U)1P36B	A97USMV090C12	14.00	12.00	22800	16800	800	5/8	3/8	3/4	3/8	5/8	3/8 or 1/4	0.057	A4TXV01
	E(C,H,M,U)1P36B	A96DFMV070B12	14.00	12.00	22800	16800	800	5/8	3/8	3/4	3/8	5/8	3/8 or 1/4	0.057	A4TXV01
	E(C,H,M,U)1P36B	A96UHMV070B12	14.00	12.00	22800	16800	800	5/8	3/8	3/4	3/8	5/8	3/8 or 1/4	0.057	A4TXV01
	E(C,H,M,U)1P36B	A96UHMV090C12	14.00	12.00	22800	16800	800	5/8	3/8	3/4	3/8	5/8	3/8 or 1/4	0.057	A4TXV01
	E(C,H,M,U)1P36B	LB*80*84/95V14	13.50	11.00	22800	16800	800	5/8	3/8	3/4	3/8	5/8	3/8 or 1/4	0.057	A4TXV01
	E(C,H,M,U)1P36B	LH*80*84/95V12	13.50	11.00	22800	16800	800	5/8	3/8	3/4	3/8	5/8	3/8 or 1/4	0.057	A4TXV01
E(C,H,M,U)1P36B	LUF80*57/72V12	13.50	11.00	22800	16800	800	5/8	3/8	3/4	3/8	5/8	3/8 or 1/4	0.057	A4TXV01	
E(C,H,M,U)1P36B	LUF80*84/95V14	13.50	11.00	22800	16800	800	5/8	3/8	3/4	3/8	5/8	3/8 or 1/4	0.057	A4TXV01	
4AC13L 30P-7,8	BCS2M30C****P		13.00	11.00	28000	20400	1000	3/4	3/8	3/4	3/8	3/4	3/8	0.063	A4TXV01
	BCS3M30C****P		13.00	11.00	28000	20400	1000	3/4	3/8	3/4	3/8	3/4	3/8	0.063	A4TXV01
	BCE3M30C****P		13.00	11.00	28000	20400	1000	3/4	3/8	3/4	3/8	3/4	3/8	0.063	A4TXV01
	BCS2M36V****P		13.50	11.00	28000	20400	1000	3/4	3/8	3/4	3/8	3/4	3/8	0.063	A4TXV01
	E(C,H,M,U)1P23B	EFV12BC	13.50	11.00	28000	20400	1000	3/4	3/8	3/4	3/8	3/4	3/8	0.063	A4TXV01
	E(C,H,M,U)1P23A	A80DF1E045A12	13.50	11.00	28000	20400	1000	3/4	3/8	3/4	3/8	3/4	3/8	0.063	A4TXV01
	E(C,H,M,U)1P23B	A80DF1E070B12	13.50	11.00	28000	20400	1000	3/4	3/8	3/4	3/8	3/4	3/8	0.063	A4TXV01
	E(C,H,M,U)1P23B	A80DF1E090B16	13.50	11.00	28000	20400	1000	3/4	3/8	3/4	3/8	3/4	3/8	0.063	A4TXV01

Note:

¹ Certified in accordance with Unitary Air Conditioner Certification Program, which is based on AHRI Standard 210/240

² Required to achieve AHRI rating. If NA (Not Applicable) is in the piston column, then TXV is required.

³ A blower time delay relay is required to achieve AHRI rating. This feature is standard on all Allied Air Enterprises furnace and AH products.

Cooling Performance with Air Handlers and Furnaces 30

Outdoor Model	Indoor Model	Variable Speed Furnace	SEER	EER	Rated ARI Capacity ¹ BTUH	Rated Sensible Capacity BTUH	CFM	Refrigerant Connection				Refrigerant Line Size		Indoor Expansion Device	
	Evaporator Coil or Air Handler ³							Outdoor		Indoor		Suction	Liquid	Piston ²	TXV
								Suction	Liquid	Suction	Liquid				
4AC13L 30P-7,8	E(C,H,M,U)1P23A	A80DF2V070A12	13.50	11.00	28000	20400	1000	3/4	3/8	3/4	3/8	3/4	3/8	0.063	A4TXV01
	E(C,H,M,U)1P23B	A80DF2V090B16	13.50	11.00	28000	20400	1000	3/4	3/8	3/4	3/8	3/4	3/8	0.063	A4TXV01
	E(C,H,M,U)1P23A	A80UH1E045A12*	13.50	11.00	28000	20400	1000	3/4	3/8	3/4	3/8	3/4	3/8	0.063	A4TXV01
	E(C,H,M,U)1P23B	A80UH1E070B12*	13.50	11.00	28000	20400	1000	3/4	3/8	3/4	3/8	3/4	3/8	0.063	A4TXV01
	E(C,H,M,U)1P23B	A80UH1E090B16*	13.50	11.00	28000	20400	1000	3/4	3/8	3/4	3/8	3/4	3/8	0.063	A4TXV01
	E(C,H,M,U)1P23B	A80UH2V070A12	13.50	11.00	28000	20400	1000	3/4	3/8	3/4	3/8	3/4	3/8	0.063	A4TXV01
	E(C,H,M,U)1P23B	A80UH2V090B12	13.50	11.00	28000	20400	1000	3/4	3/8	3/4	3/8	3/4	3/8	0.063	A4TXV01
	E(C,H,M,U)1P23B	A80UH2V090B16	13.50	11.00	28000	20400	1000	3/4	3/8	3/4	3/8	3/4	3/8	0.063	A4TXV01
	E(C,H,M,U)1P23B	A95DF1E045B12S	13.50	11.00	28000	20400	1000	3/4	3/8	3/4	3/8	3/4	3/8	0.063	A4TXV01
	E(C,H,M,U)1P23B	A95DF1E070B16S	13.50	11.00	28000	20400	1000	3/4	3/8	3/4	3/8	3/4	3/8	0.063	A4TXV01
	E(C,H,M,U)1P23B	A95DF2V045B12S	13.50	11.50	28000	20400	1000	3/4	3/8	3/4	3/8	3/4	3/8	0.063	A4TXV01
	E(C,H,M,U)1P23B	A95DF2V070B16S	13.50	11.00	28000	20400	1000	3/4	3/8	3/4	3/8	3/4	3/8	0.063	A4TXV01
	E(C,H,M,U)1P23B	A95UH1E045B12S	13.50	11.00	28000	20400	1000	3/4	3/8	3/4	3/8	3/4	3/8	0.063	A4TXV01
	E(C,H,M,U)1P23B	A95UH1E070B12S	13.50	11.00	28000	20400	1000	3/4	3/8	3/4	3/8	3/4	3/8	0.063	A4TXV01
	E(C,H,M,U)1P23B	A95UH2V045B12S	13.50	11.00	28000	20400	1000	3/4	3/8	3/4	3/8	3/4	3/8	0.063	A4TXV01
	E(C,H,M,U)1P23B	A95UH2V070B12S	13.50	11.00	28000	20400	1000	3/4	3/8	3/4	3/8	3/4	3/8	0.063	A4TXV01
	E(C,H,M,U)1P23B	A97DSMV070B12	13.50	11.00	28000	20400	1000	3/4	3/8	3/4	3/8	3/4	3/8	0.063	A4TXV01
	E(C,H,M,U)1P23B	A97USMV070B12	13.50	11.00	28000	20400	1000	3/4	3/8	3/4	3/8	3/4	3/8	0.063	A4TXV01
	E(C,H,M,U)1P23B	A96DFMV070B12	13.50	11.00	28000	20400	1000	3/4	3/8	3/4	3/8	3/4	3/8	0.063	A4TXV01
	E(C,H,M,U)1P23B	A96UHMV070B12	13.50	11.00	28000	20400	1000	3/4	3/8	3/4	3/8	3/4	3/8	0.063	A4TXV01
	E(C,H,M,U)1P23B	LB*80*84/95V14	13.50	11.00	28000	20400	1000	3/4	3/8	3/4	3/8	3/4	3/8	0.063	A4TXV01
	E(C,H,M,U)1P23B	LH*80*84/95V12	13.50	11.00	28000	20400	1000	3/4	3/8	3/4	3/8	3/4	3/8	0.063	A4TXV01
	E(C,H,M,U)1P23B	LUF80*57/72V12	13.50	11.00	28000	20400	1000	3/4	3/8	3/4	3/8	3/4	3/8	0.063	A4TXV01
	E(C,H,M,U)1P23B	LUF80*84/95V14	13.50	11.00	28000	20400	1000	3/4	3/8	3/4	3/8	3/4	3/8	0.063	A4TXV01
	E(C,H,M,U)1P24B	EFV12BC	13.50	11.00	28000	20400	1000	3/4	3/8	3/4	3/8	3/4	3/8	0.063	A4TXV01
	E(C,H,M,U)1P24A	A80DF1E045A12	13.50	11.00	28000	20400	1000	3/4	3/8	3/4	3/8	3/4	3/8	0.063	A4TXV01
	E(C,H,M,U)1P24B	A80DF1E070B12	13.50	11.00	28000	20400	1000	3/4	3/8	3/4	3/8	3/4	3/8	0.063	A4TXV01
	E(C,H,M,U)1P24B	A80DF1E090B16	13.50	11.00	28000	20400	1000	3/4	3/8	3/4	3/8	3/4	3/8	0.063	A4TXV01
E(C,H,M,U)1P24A	A80DF2V070A12	13.50	11.00	28000	20400	1000	3/4	3/8	3/4	3/8	3/4	3/8	0.063	A4TXV01	
E(C,H,M,U)1P24B	A80DF2V090B16	13.50	11.00	28000	20400	1000	3/4	3/8	3/4	3/8	3/4	3/8	0.063	A4TXV01	

Note:

¹ Certified in accordance with Unitary Air Conditioner Certification Program, which is based on AHRI Standard 210/240

² Required to achieve AHRI rating. If NA (Not Applicable) is in the piston column, then TXV is required.

³ A blower time delay relay is required to achieve AHRI rating. This feature is standard on all Allied Air Enterprises furnace and AH products.

Cooling Performance with Air Handlers and Furnaces 30

Outdoor Model	Indoor Model	Variable Speed Furnace	SEER	EER	Rated ARI Capacity ¹ BTUH	Rated Sensible Capacity BTUH	CFM	Refrigerant Connection				Refrigerant Line Size		Indoor Expansion Device	
	Evaporator Coil or Air Handler ³							Outdoor		Indoor		Suction	Liquid	Piston ²	TXV
								Suction	Liquid	Suction	Liquid				
4AC13L 30P-7,8	E(C,H,M,U)1P24A	A80UH1E045A12*	13.50	11.00	28000	20400	1000	3/4	3/8	3/4	3/8	3/4	3/8	0.063	A4TXV01
	E(C,H,M,U)1P24B	A80UH1E070B12*	13.50	11.00	28000	20400	1000	3/4	3/8	3/4	3/8	3/4	3/8	0.063	A4TXV01
	E(C,H,M,U)1P24B	A80UH1E090B16*	13.50	11.00	28000	20400	1000	3/4	3/8	3/4	3/8	3/4	3/8	0.063	A4TXV01
	E(C,H,M,U)1P24A	A80UH2V070A12	13.50	11.00	28000	20400	1000	3/4	3/8	3/4	3/8	3/4	3/8	0.063	A4TXV01
	E(C,H,M,U)1P24B	A80UH2V090B12	13.50	11.00	28000	20400	1000	3/4	3/8	3/4	3/8	3/4	3/8	0.063	A4TXV01
	E(C,H,M,U)1P24B	A80UH2V090B16	13.50	11.00	28000	20400	1000	3/4	3/8	3/4	3/8	3/4	3/8	0.063	A4TXV01
	E(C,H,M,U)1P24B	A95DF1E045B12S	13.50	11.00	28000	20400	1000	3/4	3/8	3/4	3/8	3/4	3/8	0.063	A4TXV01
	E(C,H,M,U)1P24B	A95DF1E070B16S	13.50	11.00	28000	20400	1000	3/4	3/8	3/4	3/8	3/4	3/8	0.063	A4TXV01
	E(C,H,M,U)1P24B	A95DF2V045B12S	13.50	11.00	28000	20400	1000	3/4	3/8	3/4	3/8	3/4	3/8	0.063	A4TXV01
	E(C,H,M,U)1P24B	A95DF2V070B16S	13.50	11.00	28000	20400	1000	3/4	3/8	3/4	3/8	3/4	3/8	0.063	A4TXV01
	E(C,H,M,U)1P24B	A95UH1E045B12S	13.50	11.00	28000	20400	1000	3/4	3/8	3/4	3/8	3/4	3/8	0.063	A4TXV01
	E(C,H,M,U)1P24B	A95UH1E070B12S	13.50	11.00	28000	20400	1000	3/4	3/8	3/4	3/8	3/4	3/8	0.063	A4TXV01
	E(C,H,M,U)1P24B	A95UH2V045B12S	13.50	11.00	28000	20400	1000	3/4	3/8	3/4	3/8	3/4	3/8	0.063	A4TXV01
	E(C,H,M,U)1P24B	A95UH2V070B12S	13.50	11.00	28000	20400	1000	3/4	3/8	3/4	3/8	3/4	3/8	0.063	A4TXV01
	E(C,H,M,U)1P24B	A97DSMV070B12	13.50	11.00	28000	20400	1000	3/4	3/8	3/4	3/8	3/4	3/8	0.063	A4TXV01
	E(C,H,M,U)1P24B	A97USMV070B12	13.50	11.00	28000	20400	1000	3/4	3/8	3/4	3/8	3/4	3/8	0.063	A4TXV01
	E(C,H,M,U)1P24B	A96DFMV070B12	13.50	11.00	28000	20400	1000	3/4	3/8	3/4	3/8	3/4	3/8	0.063	A4TXV01
	E(C,H,M,U)1P24B	A96UHMV070B12	13.50	11.00	28000	20400	1000	3/4	3/8	3/4	3/8	3/4	3/8	0.063	A4TXV01
	E(C,H,M,U)1P24B	LB*80*84/95V14	13.50	11.00	28000	20400	1000	3/4	3/8	3/4	3/8	3/4	3/8	0.063	A4TXV01
	E(C,H,M,U)1P24B	LH*80*84/95V12	13.50	11.00	28000	20400	1000	3/4	3/8	3/4	3/8	3/4	3/8	0.063	A4TXV01
	E(C,H,M,U)1P24B	LUF80*84/95V14	13.50	11.00	28000	20400	1000	3/4	3/8	3/4	3/8	3/4	3/8	0.063	A4TXV01
	E(C,H,M,U)1P29B	EFV12BC	13.50	11.00	28000	20400	1000	3/4	3/8	3/4	3/8	3/4	3/8	0.063	A4TXV01
	E(C,H,M,U)1P29A	A80DF1E045A12	13.50	11.00	28000	20400	1000	3/4	3/8	3/4	3/8	3/4	3/8	0.063	A4TXV01
	E(C,H,M,U)1P29B	A80DF1E070B12	13.50	11.00	28000	20400	1000	3/4	3/8	3/4	3/8	3/4	3/8	0.063	A4TXV01
	E(C,H,M,U)1P29B	A80DF1E090B16	13.50	11.00	28000	20400	1000	3/4	3/8	3/4	3/8	3/4	3/8	0.063	A4TXV01
	E(C,H,M,U)1P29A	A80DF2V070A12	13.50	11.00	28000	20400	1000	3/4	3/8	3/4	3/8	3/4	3/8	0.063	A4TXV01
	E(C,H,M,U)1P29B	A80DF2V090B16	13.50	11.00	28000	20400	1000	3/4	3/8	3/4	3/8	3/4	3/8	0.063	A4TXV01
	E(C,H,M,U)1P29A	A80UH1E045A12*	13.50	11.00	28000	20400	1000	3/4	3/8	3/4	3/8	3/4	3/8	0.063	A4TXV01
	E(C,H,M,U)1P29B	A80UH1E070B12*	13.50	11.00	28000	20400	1000	3/4	3/8	3/4	3/8	3/4	3/8	0.063	A4TXV01
	E(C,H,M,U)1P29B	A80UH1E090B16*	13.50	11.00	28000	20400	1000	3/4	3/8	3/4	3/8	3/4	3/8	0.063	A4TXV01

Note:

¹ Certified in accordance with Unitary Air Conditioner Certification Program, which is based on AHRI Standard 210/240

² Required to achieve AHRI rating. If NA (Not Applicable) is in the piston column, then TXV is required

³ A blower time delay relay is required to achieve AHRI rating. This feature is standard on all Allied Air Enterprises furnace and AH products.

Cooling Performance with Air Handlers and Furnaces 30

Outdoor Model	Indoor Model	Variable Speed Furnace	SEER	EER	Rated ARI Capacity ¹ BTUH	Rated Sensible Capacity BTUH	CFM	Refrigerant Connection				Refrigerant Line Size		Indoor Expansion Device	
	Evaporator Coil or Air Handler ³							Outdoor		Indoor		Suction	Liquid	Piston ²	TXV
								Suction	Liquid	Suction	Liquid				
4AC13L 30P-7,8	E(C,H,M,U)1P29A	A80UH2V070A12	13.50	11.00	28000	20400	1000	3/4	3/8	3/4	3/8	3/4	3/8	0.063	A4TXV01
	E(C,H,M,U)1P29B	A80UH2V090B12	13.50	11.00	28000	20400	1000	3/4	3/8	3/4	3/8	3/4	3/8	0.063	A4TXV01
	E(C,H,M,U)1P29B	A80UH2V090B16	13.50	11.00	28000	20400	1000	3/4	3/8	3/4	3/8	3/4	3/8	0.063	A4TXV01
	E(C,H,M,U)1P29B	A95DF1E045B12S	13.50	11.00	28000	20400	1000	3/4	3/8	3/4	3/8	3/4	3/8	0.063	A4TXV01
	E(C,H,M,U)1P29B	A95DF1E070B16S	13.50	11.00	28000	20400	1000	3/4	3/8	3/4	3/8	3/4	3/8	0.063	A4TXV01
	E(C,H,M,U)1P29B	A95DF2V045B12S	13.50	11.00	28000	20400	1000	3/4	3/8	3/4	3/8	3/4	3/8	0.063	A4TXV01
	E(C,H,M,U)1P29B	A95DF2V070B16S	13.50	11.00	28000	20400	1000	3/4	3/8	3/4	3/8	3/4	3/8	0.063	A4TXV01
	E(C,H,M,U)1P29B	A95UH1E045B12S	13.50	11.00	28000	20400	1000	3/4	3/8	3/4	3/8	3/4	3/8	0.063	A4TXV01
	E(C,H,M,U)1P29B	A95UH1E070B12S	13.50	11.00	28000	20400	1000	3/4	3/8	3/4	3/8	3/4	3/8	0.063	A4TXV01
	E(C,H,M,U)1P29B	A95UH2V045B12S	13.50	11.00	28000	20400	1000	3/4	3/8	3/4	3/8	3/4	3/8	0.063	A4TXV01
	E(C,H,M,U)1P29B	A95UH2V070B12S	13.50	11.00	28000	20400	1000	3/4	3/8	3/4	3/8	3/4	3/8	0.063	A4TXV01
	E(C,H,M,U)1P29B	A97DSMV070B12	13.50	11.00	28000	20400	1000	3/4	3/8	3/4	3/8	3/4	3/8	0.063	A4TXV01
	E(C,H,M,U)1P29B	A97USMV070B12	13.50	11.00	28000	20400	1000	3/4	3/8	3/4	3/8	3/4	3/8	0.063	A4TXV01
	E(C,H,M,U)1P29B	A96DFMV070B12	13.50	11.00	28000	20400	1000	3/4	3/8	3/4	3/8	3/4	3/8	0.063	A4TXV01
	E(C,H,M,U)1P29B	A96UHMV070B12	13.50	11.00	28000	20400	1000	3/4	3/8	3/4	3/8	3/4	3/8	0.063	A4TXV01
	E(C,H,M,U)1P29B	LB*80*84/95V14	13.50	11.00	28000	20400	1000	3/4	3/8	3/4	3/8	3/4	3/8	0.063	A4TXV01
	E(C,H,M,U)1P29B	LH*80*84/95V12	13.50	11.00	28000	20400	1000	3/4	3/8	3/4	3/8	3/4	3/8	0.063	A4TXV01
	E(C,H,M,U)1P29B	LUF80*57/72V12	13.50	11.00	28000	20400	1000	3/4	3/8	3/4	3/8	3/4	3/8	0.063	A4TXV01
	E(C,H,M,U)1P29B	LUF80*84/95V14	13.50	11.00	28000	20400	1000	3/4	3/8	3/4	3/8	3/4	3/8	0.063	A4TXV01
	E(C,H,M,U)1P30B	EFV12BC	13.50	11.00	28000	20400	1000	3/4	3/8	3/4	3/8	3/4	3/8	0.063	A4TXV01
	E(C,H,M,U)1P30A	A80DF1E045A12	13.50	11.00	28000	20400	1000	3/4	3/8	3/4	3/8	3/4	3/8	0.063	A4TXV01
	E(C,H,M,U)1P30B	A80DF1E070B12	13.50	11.00	28000	20400	1000	3/4	3/8	3/4	3/8	3/4	3/8	0.063	A4TXV01
	E(C,H,M,U)1P30B	A80DF1E090B16	13.50	11.00	28000	20400	1000	3/4	3/8	3/4	3/8	3/4	3/8	0.063	A4TXV01
	E(C,H,M,U)1P30A	A80DF2V070A12	13.50	11.00	28000	20400	1000	3/4	3/8	3/4	3/8	3/4	3/8	0.063	A4TXV01
	E(C,H,M,U)1P30B	A80DF2V090B16	13.50	11.00	28000	20400	1000	3/4	3/8	3/4	3/8	3/4	3/8	0.063	A4TXV01
	E(C,H,M,U)1P30C	A80DF2V110C20	13.50	11.00	28000	20400	1000	3/4	3/8	3/4	3/8	3/4	3/8	0.063	A4TXV01
	E(C,H,M,U)1P30A	A80UH1E045A12*	13.50	11.00	28000	20400	1000	3/4	3/8	3/4	3/8	3/4	3/8	0.063	A4TXV01
	E(C,H,M,U)1P30B	A80UH1E070B12*	13.50	11.00	28000	20400	1000	3/4	3/8	3/4	3/8	3/4	3/8	0.063	A4TXV01
	E(C,H,M,U)1P30B	A80UH1E090B16*	13.50	11.00	28000	20400	1000	3/4	3/8	3/4	3/8	3/4	3/8	0.063	A4TXV01
	E(C,H,M,U)1P30A	A80UH2V070A12	13.50	11.00	28000	20400	1000	3/4	3/8	3/4	3/8	3/4	3/8	0.063	A4TXV01

Note:

¹ Certified in accordance with Unitary Air Conditioner Certification Program, which is based on AHRI Standard 210/240

² Required to achieve AHRI rating. If NA (Not Applicable) is in the piston column, then TXV is required.

³ A blower time delay relay is required to achieve AHRI rating. This feature is standard on all Allied Air Enterprises furnace and AH products.

13 SEER Split System Air Conditioner

Cooling Performance with Air Handlers and Furnaces 30

Outdoor Model	Indoor Model	Variable Speed Furnace	SEER	EER	Rated ARI Capacity ¹ BTUH	Rated Sensible Capacity BTUH	CFM	Refrigerant Connection				Refrigerant Line Size		Indoor Expansion Device	
	Evaporator Coil or Air Handler ³							Outdoor		Indoor		Suction	Liquid	Piston ²	TXV
								Suction	Liquid	Suction	Liquid				
4AC13L 30P-7,8	E(C,H,M,U)1P30B	A80UH2V090B12	13.50	11.00	28000	20400	1000	3/4	3/8	3/4	3/8	3/4	3/8	0.063	A4TXV01
	E(C,H,M,U)1P30B	A80UH2V090B16	13.50	11.00	28000	20400	1000	3/4	3/8	3/4	3/8	3/4	3/8	0.063	A4TXV01
	E(C,H,M,U)1P30C	A80UH2V090C20	13.50	11.00	28000	20400	1000	3/4	3/8	3/4	3/8	3/4	3/8	0.063	A4TXV01
	E(C,H,M,U)1P30B	A95DF1E045B12S	13.50	11.00	28000	20400	1000	3/4	3/8	3/4	3/8	3/4	3/8	0.063	A4TXV01
	E(C,H,M,U)1P30B	A95DF1E070B16S	13.50	11.00	28000	20400	1000	3/4	3/8	3/4	3/8	3/4	3/8	0.063	A4TXV01
	E(C,H,M,U)1P30C	A95DF1E090C16S	13.50	11.00	28000	20400	1000	3/4	3/8	3/4	3/8	3/4	3/8	0.063	A4TXV01
	E(C,H,M,U)1P30B	A95DF2V045B12S	13.50	11.00	28000	20400	1000	3/4	3/8	3/4	3/8	3/4	3/8	0.063	A4TXV01
	E(C,H,M,U)1P30B	A95DF2V070B16S	13.50	11.00	28000	20400	1000	3/4	3/8	3/4	3/8	3/4	3/8	0.063	A4TXV01
	E(C,H,M,U)1P30C	A95DF2V090C20S	13.50	11.00	28000	20400	1000	3/4	3/8	3/4	3/8	3/4	3/8	0.063	A4TXV01
	E(C,H,M,U)1P30C	A95DF2V110C20S	13.50	11.00	28000	20400	1000	3/4	3/8	3/4	3/8	3/4	3/8	0.063	A4TXV01
	E(C,H,M,U)1P30B	A95UH1E045B12S	13.50	11.00	28000	20400	1000	3/4	3/8	3/4	3/8	3/4	3/8	0.063	A4TXV01
	E(C,H,M,U)1P30B	A95UH1E070B12S	13.50	11.00	28000	20400	1000	3/4	3/8	3/4	3/8	3/4	3/8	0.063	A4TXV01
	E(C,H,M,U)1P30C	A95UH1E090C16S	13.50	11.00	28000	20400	1000	3/4	3/8	3/4	3/8	3/4	3/8	0.063	A4TXV01
	E(C,H,M,U)1P30B	A95UH2V045B12S	13.50	11.00	28000	20400	1000	3/4	3/8	3/4	3/8	3/4	3/8	0.063	A4TXV01
	E(C,H,M,U)1P30B	A95UH2V070B12S	13.50	11.00	28000	20400	1000	3/4	3/8	3/4	3/8	3/4	3/8	0.063	A4TXV01
	E(C,H,M,U)1P30C	A95UH2V090C12S	13.50	11.00	28000	20400	1000	3/4	3/8	3/4	3/8	3/4	3/8	0.063	A4TXV01
	E(C,H,M,U)1P30B	A97DSMV070B12	13.50	11.00	28000	20400	1000	3/4	3/8	3/4	3/8	3/4	3/8	0.063	A4TXV01
	E(C,H,M,U)1P30C	A97DSMV090C16	13.50	11.00	28000	20400	1000	3/4	3/8	3/4	3/8	3/4	3/8	0.063	A4TXV01
	E(C,H,M,U)1P30B	A97USMV070B12	13.50	11.00	28000	20400	1000	3/4	3/8	3/4	3/8	3/4	3/8	0.063	A4TXV01
	E(C,H,M,U)1P30C	A97USMV090C12	13.50	11.00	28000	20400	1000	3/4	3/8	3/4	3/8	3/4	3/8	0.063	A4TXV01
	E(C,H,M,U)1P30B	A96DFMV070B12	13.50	11.00	28000	20400	1000	3/4	3/8	3/4	3/8	3/4	3/8	0.063	A4TXV01
	E(C,H,M,U)1P30C	A96DFMV090C16	13.50	11.00	28000	20400	1000	3/4	3/8	3/4	3/8	3/4	3/8	0.063	A4TXV01
	E(C,H,M,U)1P30B	A96UHMV070B12	13.50	11.00	28000	20400	1000	3/4	3/8	3/4	3/8	3/4	3/8	0.063	A4TXV01
	E(C,H,M,U)1P30C	A96UHMV090C12	13.50	11.00	28000	20400	1000	3/4	3/8	3/4	3/8	3/4	3/8	0.063	A4TXV01
	E(C,H,M,U)1P30B, C	LB*80*84/95V14	13.50	11.00	28000	20400	1000	3/4	3/8	3/4	3/8	3/4	3/8	0.063	A4TXV01
	E(C,H,M,U)1P30B, C	LH*80*84/95V12	13.50	11.00	28000	20400	1000	3/4	3/8	3/4	3/8	3/4	3/8	0.063	A4TXV01
	E(C,H,M,U)1P30B, C	LUF80*57/72V12	13.00	11.00	28000	20400	1000	3/4	3/8	3/4	3/8	3/4	3/8	0.063	A4TXV01
	E(C,H,M,U)1P30B, C	LUF80*84/95V14	13.50	11.00	28000	20400	1000	3/4	3/8	3/4	3/8	3/4	3/8	0.063	A4TXV01
	E(C,H,M,U)1P36B	EFV12BC	13.50	11.00	28000	20400	1000	3/4	3/8	3/4	3/8	3/4	3/8	0.063	A4TXV01
	E(C,H,M,U)1P36A	A80DF1E045A12	13.50	11.00	28000	20400	1000	3/4	3/8	3/4	3/8	3/4	3/8	0.063	A4TXV01

Note:

¹ Certified in accordance with Unitary Air Conditioner Certification Program, which is based on AHRI Standard 210/240

² Required to achieve AHRI rating. If NA (Not Applicable) is in the piston column, then TXV is required.

³ A blower time delay relay is required to achieve AHRI rating. This feature is standard on all Allied Air Enterprises furnace and AH products.

Cooling Performance with Air Handlers and Furnaces 30

Outdoor Model	Indoor Model	Variable Speed Furnace	SEER	EER	Rated ARI Capacity ¹ BTUH	Rated Sensible Capacity BTUH	CFM	Refrigerant Connection				Refrigerant Line Size		Indoor Expansion Device	
	Evaporator Coil or Air Handler ³							Outdoor		Indoor		Suction	Liquid	Piston ²	TXV
								Suction	Liquid	Suction	Liquid				
4AC13L 30P-7,8	E(C,H,M,U)1P36B	A80DF1E070B12	13.50	11.00	28000	20400	1000	3/4	3/8	3/4	3/8	3/4	3/8	0.063	A4TXV01
	E(C,H,M,U)1P36B	A80DF1E090B16	13.50	11.00	28000	20400	1000	3/4	3/8	3/4	3/8	3/4	3/8	0.063	A4TXV01
	E(C,H,M,U)1P36A	A80DF2V070A12	13.50	11.00	28000	20400	1000	3/4	3/8	3/4	3/8	3/4	3/8	0.063	A4TXV01
	E(C,H,M,U)1P36B	A80DF2V090B16	13.50	11.00	28000	20400	1000	3/4	3/8	3/4	3/8	3/4	3/8	0.063	A4TXV01
	E(C,H,M,U)1P36C	A80DF2V110C20	13.50	11.00	28000	20400	1000	3/4	3/8	3/4	3/8	3/4	3/8	0.063	A4TXV01
	E(C,H,M,U)1P36A	A80UH1E045A12*	13.50	11.00	28000	20400	1000	3/4	3/8	3/4	3/8	3/4	3/8	0.063	A4TXV01
	E(C,H,M,U)1P36B	A80UH1E070B12*	13.50	11.00	28000	20400	1000	3/4	3/8	3/4	3/8	3/4	3/8	0.063	A4TXV01
	E(C,H,M,U)1P36B	A80UH1E090B16*	13.50	11.00	28000	20400	1000	3/4	3/8	3/4	3/8	3/4	3/8	0.063	A4TXV01
	E(C,H,M,U)1P36A	A80UH2V070A12	13.50	11.00	28000	20400	1000	3/4	3/8	3/4	3/8	3/4	3/8	0.063	A4TXV01
	E(C,H,M,U)1P36B	A80UH2V090B12	13.50	11.00	28000	20400	1000	3/4	3/8	3/4	3/8	3/4	3/8	0.063	A4TXV01
	E(C,H,M,U)1P36B	A80UH2V090B16	13.50	11.00	28000	20400	1000	3/4	3/8	3/4	3/8	3/4	3/8	0.063	A4TXV01
	E(C,H,M,U)1P36C	A80UH2V090C20	13.50	11.00	28000	20400	1000	3/4	3/8	3/4	3/8	3/4	3/8	0.063	A4TXV01
	E(C,H,M,U)1P36B	A95DF1E045B12S	13.50	11.00	28000	20400	1000	3/4	3/8	3/4	3/8	3/4	3/8	0.063	A4TXV01
	E(C,H,M,U)1P36B	A95DF1E070B16S	13.50	11.00	28000	20400	1000	3/4	3/8	3/4	3/8	3/4	3/8	0.063	A4TXV01
	E(C,H,M,U)1P36C	A95DF1E090C16S	13.50	11.00	28000	20400	1000	3/4	3/8	3/4	3/8	3/4	3/8	0.063	A4TXV01
	E(C,H,M,U)1P36B	A95DF2V045B12S	13.50	11.00	28000	20400	1000	3/4	3/8	3/4	3/8	3/4	3/8	0.063	A4TXV01
	E(C,H,M,U)1P36B	A95DF2V070B16S	13.50	11.00	28000	20400	1000	3/4	3/8	3/4	3/8	3/4	3/8	0.063	A4TXV01
	E(C,H,M,U)1P36C	A95DF2V090C20S	13.50	11.00	28000	20400	1000	3/4	3/8	3/4	3/8	3/4	3/8	0.063	A4TXV01
	E(C,H,M,U)1P36C	A95DF2V110C20S	13.50	11.00	28000	20400	1000	3/4	3/8	3/4	3/8	3/4	3/8	0.063	A4TXV01
	E(C,H,M,U)1P36B	A95UH1E045B12S	13.50	11.00	28000	20400	1000	3/4	3/8	3/4	3/8	3/4	3/8	0.063	A4TXV01
	E(C,H,M,U)1P36B	A95UH1E070B12S	13.50	11.00	28000	20400	1000	3/4	3/8	3/4	3/8	3/4	3/8	0.063	A4TXV01
	E(C,H,M,U)1P36C	A95UH1E090C16S	13.50	11.00	28000	20400	1000	3/4	3/8	3/4	3/8	3/4	3/8	0.063	A4TXV01
	E(C,H,M,U)1P36B	A95UH2V045B12S	13.50	11.00	28000	20400	1000	3/4	3/8	3/4	3/8	3/4	3/8	0.063	A4TXV01
	E(C,H,M,U)1P36B	A95UH2V070B12S	13.50	11.00	28000	20400	1000	3/4	3/8	3/4	3/8	3/4	3/8	0.063	A4TXV01
	E(C,H,M,U)1P36C	A95UH2V090C12S	13.50	11.00	28000	20400	1000	3/4	3/8	3/4	3/8	3/4	3/8	0.063	A4TXV01
	E(C,H,M,U)1P36B	A97DSMV070B12	13.50	11.00	28000	20400	1000	3/4	3/8	3/4	3/8	3/4	3/8	0.063	A4TXV01
	E(C,H,M,U)1P36C	A97DSMV090C16	13.50	11.00	28000	20400	1000	3/4	3/8	3/4	3/8	3/4	3/8	0.063	A4TXV01
	E(C,H,M,U)1P36B	A97USMV070B12	13.50	11.00	28000	20400	1000	3/4	3/8	3/4	3/8	3/4	3/8	0.063	A4TXV01
	E(C,H,M,U)1P36C	A97USMV090C12	13.50	11.00	28000	20400	1000	3/4	3/8	3/4	3/8	3/4	3/8	0.063	A4TXV01
	E(C,H,M,U)1P36B	A96DFMV070B12	13.50	11.00	28000	20400	1000	3/4	3/8	3/4	3/8	3/4	3/8	0.063	A4TXV01

Note:

¹ Certified in accordance with Unitary Air Conditioner Certification Program, which is based on AHRI Standard 210/240² Required to achieve AHRI rating. If NA (Not Applicable) is in the piston column, then TXV is required.³ A blower time delay relay is required to achieve AHRI rating. This feature is standard on all Allied Air Enterprises furnace and AH products.

13 SEER Split System Air Conditioner

Cooling Performance with Air Handlers and Furnaces 30, 36

Outdoor Model	Indoor Model	Variable Speed Furnace	SEER	EER	Rated ARI Capacity ¹ BTUH	Rated Sensible Capacity BTUH	CFM	Refrigerant Connection				Refrigerant Line Size		Indoor Expansion Device	
	Evaporator Coil or Air Handler ³							Outdoor		Indoor		Suction	Liquid	Piston ²	TXV
								Suction	Liquid	Suction	Liquid				
4AC13L 30P-7,8	E(C,H,M,U)1P36C	A96DFMV090C16	13.50	11.00	28000	20400	1000	3/4	3/8	3/4	3/8	3/4	3/8	0.063	A4TXV01
	E(C,H,M,U)1P36B	A96UHMV070B12	13.50	11.00	28000	20400	1000	3/4	3/8	3/4	3/8	3/4	3/8	0.063	A4TXV01
	E(C,H,M,U)1P36C	A96UHMV090C12	13.50	11.00	28000	20400	1000	3/4	3/8	3/4	3/8	3/4	3/8	0.063	A4TXV01
	E(C,H,M,U)1P36B, C	LB*80*84/95V14	13.50	11.00	28000	20400	1000	3/4	3/8	3/4	3/8	3/4	3/8	0.063	A4TXV01
	E(C,H,M,U)1P36B, C	LH*80*84/95V12	13.50	11.00	28000	20400	1000	3/4	3/8	3/4	3/8	3/4	3/8	0.063	A4TXV01
	E(C,H,M,U)1P36B, C	LUF80*57/72V12	13.50	11.00	28000	20400	1000	3/4	3/8	3/4	3/8	3/4	3/8	0.063	A4TXV01
	E(C,H,M,U)1P36B, C	LUF80*84/95V14	13.50	11.00	28000	20400	1000	3/4	3/8	3/4	3/8	3/4	3/8	0.063	A4TXV01
4AC13L 36P-7,8	BCS2M36C****P		13.00	11.00	34000	25000	1200	3/4	3/8	7/8	3/8	3/4	3/8	0.072	A4TXV01
	BCS3M36C****P		13.00	11.00	34000	25000	1200	3/4	3/8	7/8	3/8	3/4	3/8	0.072	A4TXV01
	BCE3M36C****P		13.00	11.00	34000	25000	1200	3/4	3/8	7/8	3/8	3/4	3/8	0.072	A4TXV01
	BCS2M36V****P		13.50	11.00	34000	25000	1200	3/4	3/8	7/8	3/8	3/4	3/8	0.072	A4TXV01
	E(C,H,M,U)1P36B	EFV12BC	13.50	11.00	34000	25000	1200	3/4	3/8	7/8	3/8	3/4	3/8	0.072	A4TXV01
	E(C,H,M,U)1P36B	A80DF1E090B16	13.50	11.00	34000	25000	1200	3/4	3/8	7/8	3/8	3/4	3/8	0.072	A4TXV01
	E(C,H,M,U)1P36C	A80DF1E110C20	13.50	11.00	34000	25000	1200	3/4	3/8	7/8	3/8	3/4	3/8	0.072	A4TXV01
	E(C,H,M,U)1P36C	A80DF2V110C20	13.50	11.00	34000	25000	1200	3/4	3/8	7/8	3/8	3/4	3/8	0.072	A4TXV01
	E(C,H,M,U)1P36B	A80UH1E090B16*	13.50	11.00	34000	25000	1200	3/4	3/8	7/8	3/8	3/4	3/8	0.072	A4TXV01
	E(C,H,M,U)1P36C	A80UH1E090C20*	13.50	11.00	34000	25000	1200	3/4	3/8	7/8	3/8	3/4	3/8	0.072	A4TXV01
	E(C,H,M,U)1P36C	A80UH1E110C20*	13.50	11.00	34000	25000	1200	3/4	3/8	7/8	3/8	3/4	3/8	0.072	A4TXV01
	E(C,H,M,U)1P36C	A80UH2V090C20	13.50	11.00	34000	25000	1200	3/4	3/8	7/8	3/8	3/4	3/8	0.072	A4TXV01
	E(C,H,M,U)1P36C	A80UH2V110C20	13.50	11.00	34000	25000	1200	3/4	3/8	7/8	3/8	3/4	3/8	0.072	A4TXV01
	E(C,H,M,U)1P36C	A95DF1E090C16S	13.50	11.00	34000	25000	1200	3/4	3/8	7/8	3/8	3/4	3/8	0.072	A4TXV01
	E(C,H,M,U)1P36C	A95DF1E110C20S	13.50	11.00	34000	25000	1200	3/4	3/8	7/8	3/8	3/4	3/8	0.072	A4TXV01
	E(C,H,M,U)1P36C	A95DF2V090C20S	13.50	11.00	34000	25000	1200	3/4	3/8	7/8	3/8	3/4	3/8	0.072	A4TXV01
	E(C,H,M,U)1P36C	A95DF2V110C20S	13.50	11.00	34000	25000	1200	3/4	3/8	7/8	3/8	3/4	3/8	0.072	A4TXV01
	E(C,H,M,U)1P36C	A95UH1E090C16S	13.50	11.00	34000	25000	1200	3/4	3/8	7/8	3/8	3/4	3/8	0.072	A4TXV01
	E(C,H,M,U)1P36C	A95UH1E110C20S	13.50	11.00	34000	25000	1200	3/4	3/8	7/8	3/8	3/4	3/8	0.072	A4TXV01
	E(C,H,M,U)1P36C	A95UH2V090C12S	13.50	11.00	34000	25000	1200	3/4	3/8	7/8	3/8	3/4	3/8	0.072	A4TXV01
E(C,H,M,U)1P36C	A95UH2V090C16S	13.50	11.00	34000	25000	1200	3/4	3/8	7/8	3/8	3/4	3/8	0.072	A4TXV01	
E(C,H,M,U)1P36C	A95UH2V090C20S	13.50	11.00	34000	25000	1200	3/4	3/8	7/8	3/8	3/4	3/8	0.072	A4TXV01	
E(C,H,M,U)1P36C	A95UH2V110C16S	13.50	11.00	34000	25000	1200	3/4	3/8	7/8	3/8	3/4	3/8	0.072	A4TXV01	

Note:

¹ Certified in accordance with Unitary Air Conditioner Certification Program, which is based on AHRI Standard 210/240

² Required to achieve AHRI rating. If NA (Not Applicable) is in the piston column, then TXV is required.

³ A blower time delay relay is required to achieve AHRI rating. This feature is standard on all Allied Air Enterprises furnace and AH products.

Cooling Performance with Air Handlers and Furnaces 36

Outdoor Model	Indoor Model	Variable Speed Furnace	SEER	EER	Rated ARI Capacity ¹ BTUH	Rated Sensible Capacity BTUH	CFM	Refrigerant Connection				Refrigerant Line Size		Indoor Expansion Device		
	Evaporator Coil or Air Handler ³							Outdoor		Indoor		Suction	Liquid	Piston ²	TXV	
								Suction	Liquid	Suction	Liquid					
4AC13L 36P-7,8	E(C,H,M,U)1P36C	A95UH2V110C20S	13.50	11.00	34000	25000	1200	3/4	3/8	7/8	3/8	3/4	3/8	0.072	A4TXV01	
	E(C,H,M,U)1P36C	A97DSMV090C16	13.50	11.00	34000	25000	1200	3/4	3/8	7/8	3/8	3/4	3/8	0.072	A4TXV01	
	E(C,H,M,U)1P36C	A97DSMV090C20	13.50	11.00	34000	25000	1200	3/4	3/8	7/8	3/8	3/4	3/8	0.072	A4TXV01	
	E(C,H,M,U)1P36C	A97DSMV110C20	13.50	11.00	34000	25000	1200	3/4	3/8	7/8	3/8	3/4	3/8	0.072	A4TXV01	
	E(C,H,M,U)1P36C	A97USMV090C12	13.50	11.00	34000	25000	1200	3/4	3/8	7/8	3/8	3/4	3/8	0.072	A4TXV01	
	E(C,H,M,U)1P36C	A97USMV090C16	13.50	11.00	34000	25000	1200	3/4	3/8	7/8	3/8	3/4	3/8	0.072	A4TXV01	
	E(C,H,M,U)1P36C	A97USMV090C20	13.50	11.00	34000	25000	1200	3/4	3/8	7/8	3/8	3/4	3/8	0.072	A4TXV01	
	E(C,H,M,U)1P36C	A97USMV110C20	13.50	11.00	34000	25000	1200	3/4	3/8	7/8	3/8	3/4	3/8	0.072	A4TXV01	
	E(C,H,M,U)1P36C	A96DFMV090C16	13.50	11.00	34000	25000	1200	3/4	3/8	7/8	3/8	3/4	3/8	0.072	A4TXV01	
	E(C,H,M,U)1P36C	A96DFMV090C20	13.50	11.00	34000	25000	1200	3/4	3/8	7/8	3/8	3/4	3/8	0.072	A4TXV01	
	E(C,H,M,U)1P36C	A96DFMV110C20	13.50	11.00	34000	25000	1200	3/4	3/8	7/8	3/8	3/4	3/8	0.072	A4TXV01	
	E(C,H,M,U)1P36C	A96UHMV090C12	13.50	11.00	34000	25000	1200	3/4	3/8	7/8	3/8	3/4	3/8	0.072	A4TXV01	
	E(C,H,M,U)1P36C	A96UHMV090C16	13.50	11.00	34000	25000	1200	3/4	3/8	7/8	3/8	3/4	3/8	0.072	A4TXV01	
	E(C,H,M,U)1P36C	A96UHMV090C20	13.50	11.00	34000	25000	1200	3/4	3/8	7/8	3/8	3/4	3/8	0.072	A4TXV01	
	E(C,H,M,U)1P36C	A96UHMV110C20	13.50	11.00	34000	25000	1200	3/4	3/8	7/8	3/8	3/4	3/8	0.072	A4TXV01	
	E(C,H,M,U)1P43C	EFV12BC		13.50	11.00	34000	25000	1200	3/4	3/8	7/8	3/8	3/4	3/8	0.072	A4TXV01
	E(C,H,M,U)1P43B	A80DF1E090B16		13.50	11.00	34000	25000	1200	3/4	3/8	7/8	3/8	3/4	3/8	0.072	A4TXV01
	E(C,H,M,U)1P43C	A80DF1E110C20		13.50	11.00	34000	25000	1200	3/4	3/8	7/8	3/8	3/4	3/8	0.072	A4TXV01
	E(C,H,M,U)1P43B	A80DF2V090B16		13.50	11.00	34000	25000	1200	3/4	3/8	7/8	3/8	3/4	3/8	0.072	A4TXV01
	E(C,H,M,U)1P43C	A80DF2V110C20		13.50	11.00	34000	25000	1200	3/4	3/8	7/8	3/8	3/4	3/8	0.072	A4TXV01
	E(C,H,M,U)1P43B	A80UH1E090B16*		13.50	11.00	34000	25000	1200	3/4	3/8	7/8	3/8	3/4	3/8	0.072	A4TXV01
	E(C,H,M,U)1P43C	A80UH1E090C20*		13.50	11.00	34000	25000	1200	3/4	3/8	7/8	3/8	3/4	3/8	0.072	A4TXV01
	E(C,H,M,U)1P43C	A80UH1E110C20*		13.50	11.00	34000	25000	1200	3/4	3/8	7/8	3/8	3/4	3/8	0.072	A4TXV01
	E(C,H,M,U)1P43C	A80UH2V090C20		13.50	11.00	34000	25000	1200	3/4	3/8	7/8	3/8	3/4	3/8	0.072	A4TXV01
	E(C,H,M,U)1P43C	A80UH2V110C20		13.50	11.00	34000	25000	1200	3/4	3/8	7/8	3/8	3/4	3/8	0.072	A4TXV01
	E(C,H,M,U)1P43C	A95DF1E090C16S		13.50	11.00	34000	25000	1200	3/4	3/8	7/8	3/8	3/4	3/8	0.072	A4TXV01
	E(C,H,M,U)1P43C	A95DF1E110C20S		13.50	11.00	34000	25000	1200	3/4	3/8	7/8	3/8	3/4	3/8	0.072	A4TXV01
	E(C,H,M,U)1P43C	A95DF2V090C20S		13.50	11.00	34000	25000	1200	3/4	3/8	7/8	3/8	3/4	3/8	0.072	A4TXV01
	E(C,H,M,U)1P43C	A95DF2V110C20S		13.50	11.00	34000	25000	1200	3/4	3/8	7/8	3/8	3/4	3/8	0.072	A4TXV01
	E(C,H,M,U)1P43C	A95UH1E090C16S		13.50	11.00	34000	25000	1200	3/4	3/8	7/8	3/8	3/4	3/8	0.072	A4TXV01

Note:

¹ Certified in accordance with Unitary Air Conditioner Certification Program, which is based on AHRI Standard 210/240

² Required to achieve AHRI rating. If NA (Not Applicable) is in the piston column, then TXV is required.

³ A blower time delay relay is required to achieve AHRI rating. This feature is standard on all Allied Air Enterprises furnace and AH products.

13 SEER Split System Air Conditioner

Cooling Performance with Air Handlers and Furnaces 36

Outdoor Model	Indoor Model	Variable Speed Furnace	SEER	EER	Rated ARI Capacity ¹ BTUH	Rated Sensible Capacity BTUH	CFM	Refrigerant Connection				Refrigerant Line Size		Indoor Expansion Device	
	Evaporator Coil or Air Handler ³							Outdoor		Indoor		Suction	Liquid	Piston ²	TXV
								Suction	Liquid	Suction	Liquid				
4AC13L 36P-7,8	E(C,H,M,U)1P43C	A95UH1E110C20S	13.50	11.00	34000	25000	1200	3/4	3/8	7/8	3/8	3/4	3/8	0.072	A4TXV01
	E(C,H,M,U)1P43C	A95UH2V090C12S	13.50	11.00	34000	25000	1200	3/4	3/8	7/8	3/8	3/4	3/8	0.072	A4TXV01
	E(C,H,M,U)1P43C	A95UH2V090C16S	13.50	11.00	34000	25000	1200	3/4	3/8	7/8	3/8	3/4	3/8	0.072	A4TXV01
	E(C,H,M,U)1P43C	A95UH2V090C20S	13.50	11.00	34000	25000	1200	3/4	3/8	7/8	3/8	3/4	3/8	0.072	A4TXV01
	E(C,H,M,U)1P43C	A95UH2V110C16S	13.50	11.00	34000	25000	1200	3/4	3/8	7/8	3/8	3/4	3/8	0.072	A4TXV01
	E(C,H,M,U)1P43C	A95UH2V110C20S	13.50	11.00	34000	25000	1200	3/4	3/8	7/8	3/8	3/4	3/8	0.072	A4TXV01
	E(C,H,M,U)1P43C	A97DSMV090C16	13.50	11.00	34200	25000	1200	3/4	3/8	7/8	3/8	3/4	3/8	0.072	A4TXV01
	E(C,H,M,U)1P43C	A97DSMV090C20	13.50	11.00	34200	25000	1200	3/4	3/8	7/8	3/8	3/4	3/8	0.072	A4TXV01
	E(C,H,M,U)1P43C	A97DSMV110C20	13.50	11.00	34200	25000	1200	3/4	3/8	7/8	3/8	3/4	3/8	0.072	A4TXV01
	E(C,H,M,U)1P43C	A97USMV090C12	13.50	11.00	34200	25000	1200	3/4	3/8	7/8	3/8	3/4	3/8	0.072	A4TXV01
	E(C,H,M,U)1P43C	A97USMV090C16	13.50	11.00	34200	25000	1200	3/4	3/8	7/8	3/8	3/4	3/8	0.072	A4TXV01
	E(C,H,M,U)1P43C	A97USMV090C20	13.50	11.00	34200	25000	1200	3/4	3/8	7/8	3/8	3/4	3/8	0.072	A4TXV01
	E(C,H,M,U)1P43C	A97USMV110C20	13.50	11.50	34200	25000	1200	3/4	3/8	7/8	3/8	3/4	3/8	0.072	A4TXV01
	E(C,H,M,U)1P43C	A96DFMV090C16	13.50	11.00	34200	25000	1200	3/4	3/8	7/8	3/8	3/4	3/8	0.072	A4TXV01
	E(C,H,M,U)1P43C	A96DFMV090C20	13.50	11.00	34200	25000	1200	3/4	3/8	7/8	3/8	3/4	3/8	0.072	A4TXV01
	E(C,H,M,U)1P43C	A96DFMV110C20	13.50	11.00	34200	25000	1200	3/4	3/8	7/8	3/8	3/4	3/8	0.072	A4TXV01
	E(C,H,M,U)1P43C	A96UHMV090C12	13.50	11.00	34200	25000	1200	3/4	3/8	7/8	3/8	3/4	3/8	0.072	A4TXV01
	E(C,H,M,U)1P43C	A96UHMV090C16	13.50	11.00	34200	25000	1200	3/4	3/8	7/8	3/8	3/4	3/8	0.072	A4TXV01
	E(C,H,M,U)1P43C	A96UHMV090C20	13.50	11.00	34200	25000	1200	3/4	3/8	7/8	3/8	3/4	3/8	0.072	A4TXV01
	E(C,H,M,U)1P43C	A96UHMV110C20	13.50	11.50	34200	25000	1200	3/4	3/8	7/8	3/8	3/4	3/8	0.072	A4TXV01
	E(C,H,M,U)1P43C	LB*80*84/95V14	13.50	11.00	34000	25000	1200	3/4	3/8	7/8	3/8	3/4	3/8	0.072	A4TXV01
	E(C,H,M,U)1P43C	LUF80*84/95V14	13.50	11.00	34000	25000	1200	3/4	3/8	7/8	3/8	3/4	3/8	0.072	A4TXV01
	E(C,H,M,U)1P43C	LUF80*112/125V20	13.50	11.00	34000	25000	1200	3/4	3/8	7/8	3/8	3/4	3/8	0.072	A4TXV01
	E(C,H,M,U)1P50C	EFV16CC	13.50	11.00	34000	25000	1200	3/4	3/8	7/8	3/8	3/4	3/8	0.072	A4TXV01
	E(C,H,M,U)1P50C	A80DF1E110C20	13.50	11.00	34000	25000	1200	3/4	3/8	7/8	3/8	3/4	3/8	0.072	A4TXV01
	E(C,H,M,U)1P50C	A80DF2V110C20	13.50	11.00	34000	25000	1200	3/4	3/8	7/8	3/8	3/4	3/8	0.072	A4TXV01
	E(C,H,M,U)1P50C	A80UH1E090C20*	13.50	11.00	34000	25000	1200	3/4	3/8	7/8	3/8	3/4	3/8	0.072	A4TXV01
	E(C,H,M,U)1P50C	A80UH1E110C20*	13.50	11.00	34000	25000	1200	3/4	3/8	7/8	3/8	3/4	3/8	0.072	A4TXV01
	E(C,H,M,U)1P50C	A80UH2V090C20	13.50	11.00	34000	25000	1200	3/4	3/8	7/8	3/8	3/4	3/8	0.072	A4TXV01
	E(C,H,M,U)1P50C	A80UH2V110C20	13.50	11.00	34000	25000	1200	3/4	3/8	7/8	3/8	3/4	3/8	0.072	A4TXV01

Note:

¹ Certified in accordance with Unitary Air Conditioner Certification Program, which is based on AHRI Standard 210/240

² Required to achieve AHRI rating. If NA (Not Applicable) is in the piston column, then TXV is required.

³ A blower time delay relay is required to achieve AHRI rating. This feature is standard on all Allied Air Enterprises furnace and AH products.

Cooling Performance with Air Handlers and Furnaces 36

Outdoor Model	Indoor Model	Variable Speed Furnace	SEER	EER	Rated ARI Capacity ¹ BTUH	Rated Sensible Capacity BTUH	CFM	Refrigerant Connection				Refrigerant Line Size		Indoor Expansion Device	
	Evaporator Coil or Air Handler ³							Outdoor		Indoor		Suction	Liquid	Piston ²	TXV
								Suction	Liquid	Suction	Liquid				
4AC13L 36P-7,8	E(C,H,M,U)1P50C	A95DF1E090C16S	13.50	11.00	34000	25000	1200	3/4	3/8	7/8	3/8	3/4	3/8	0.072	A4TXV01
	E(C,H,M,U)1P50C	A95DF1E110C20S	13.50	11.00	34000	25000	1200	3/4	3/8	7/8	3/8	3/4	3/8	0.072	A4TXV01
	E(C,H,M,U)1P50C	A95DF2V090C20S	13.50	11.00	34000	25000	1200	3/4	3/8	7/8	3/8	3/4	3/8	0.072	A4TXV01
	E(C,H,M,U)1P50C	A95DF2V110C20S	13.50	11.00	34000	25000	1200	3/4	3/8	7/8	3/8	3/4	3/8	0.072	A4TXV01
	E(C,H,M,U)1P50C	A95UH1E090C16S	13.50	11.00	34000	25000	1200	3/4	3/8	7/8	3/8	3/4	3/8	0.072	A4TXV01
	E(C,H,M,U)1P50C	A95UH1E110C20S	13.50	11.00	34000	25000	1200	3/4	3/8	7/8	3/8	3/4	3/8	0.072	A4TXV01
	E(C,H,M,U)1P50C	A95UH2V090C12S	13.50	11.00	34000	25000	1200	3/4	3/8	7/8	3/8	3/4	3/8	0.072	A4TXV01
	E(C,H,M,U)1P50C	A95UH2V090C16S	13.50	11.00	34000	25000	1200	3/4	3/8	7/8	3/8	3/4	3/8	0.072	A4TXV01
	E(C,H,M,U)1P50C	A95UH2V090C20S	13.50	11.00	34000	25000	1200	3/4	3/8	7/8	3/8	3/4	3/8	0.072	A4TXV01
	E(C,H,M,U)1P50C	A95UH2V110C16S	13.50	11.00	34000	25000	1200	3/4	3/8	7/8	3/8	3/4	3/8	0.072	A4TXV01
	E(C,H,M,U)1P50C	A95UH2V110C20S	13.50	11.00	34000	25000	1200	3/4	3/8	7/8	3/8	3/4	3/8	0.072	A4TXV01
	E(C,H,M,U)1P50C	A97DSMV090C16	13.50	11.00	34000	25000	1200	3/4	3/8	7/8	3/8	3/4	3/8	0.072	A4TXV01
	E(C,H,M,U)1P50C	A97DSMV090C20	13.50	11.00	34000	25000	1200	3/4	3/8	7/8	3/8	3/4	3/8	0.072	A4TXV01
	E(C,H,M,U)1P50C	A97DSMV110C20	13.50	11.00	34000	25000	1200	3/4	3/8	7/8	3/8	3/4	3/8	0.072	A4TXV01
	E(C,H,M,U)1P50C	A97USMV090C12	13.50	11.00	34000	25000	1200	3/4	3/8	7/8	3/8	3/4	3/8	0.072	A4TXV01
	E(C,H,M,U)1P50C	A97USMV090C16	13.50	11.00	34000	25000	1200	3/4	3/8	7/8	3/8	3/4	3/8	0.072	A4TXV01
	E(C,H,M,U)1P50C	A97USMV090C20	13.50	11.00	34000	25000	1200	3/4	3/8	7/8	3/8	3/4	3/8	0.072	A4TXV01
	E(C,H,M,U)1P50C	A97USMV110C20	13.50	11.00	34000	25000	1200	3/4	3/8	7/8	3/8	3/4	3/8	0.072	A4TXV01
	E(C,H,M,U)1P50C	A96DFMV090C16	13.50	11.00	34000	25000	1200	3/4	3/8	7/8	3/8	3/4	3/8	0.072	A4TXV01
	E(C,H,M,U)1P50C	A96DFMV090C20	13.50	11.00	34000	25000	1200	3/4	3/8	7/8	3/8	3/4	3/8	0.072	A4TXV01
	E(C,H,M,U)1P50C	A96DFMV110C20	13.50	11.00	34000	25000	1200	3/4	3/8	7/8	3/8	3/4	3/8	0.072	A4TXV01
	E(C,H,M,U)1P50C	A96UHMV090C12	13.50	11.00	34000	25000	1200	3/4	3/8	7/8	3/8	3/4	3/8	0.072	A4TXV01
	E(C,H,M,U)1P50C	A96UHMV090C16	13.50	11.00	34000	25000	1200	3/4	3/8	7/8	3/8	3/4	3/8	0.072	A4TXV01
	E(C,H,M,U)1P50C	A96UHMV090C20	13.50	11.00	34000	25000	1200	3/4	3/8	7/8	3/8	3/4	3/8	0.072	A4TXV01
E(C,H,M,U)1P50C	A96UHMV110C20	13.50	11.00	34000	25000	1200	3/4	3/8	7/8	3/8	3/4	3/8	0.072	A4TXV01	
E(C,H,M,U)1P50C	LUF80*112/125V20	13.50	11.00	34000	25000	1200	3/4	3/8	7/8	3/8	3/4	3/8	0.072	A4TXV01	

Note:

¹ Certified in accordance with Unitary Air Conditioner Certification Program, which is based on AHRI Standard 210/240² Required to achieve AHRI rating. If NA (Not Applicable) is in the piston column, then TXV is required.³ A blower time delay relay is required to achieve AHRI rating. This feature is standard on all Allied Air Enterprises furnace and AH products.

13 SEER Split System Air Conditioner

Cooling Performance with Air Handlers and Furnaces 42

Outdoor Model	Indoor Model	Variable Speed Furnace	SEER	EER	Rated ARI Capacity ¹ BTUH	Rated Sensible Capacity BTUH	CFM	Refrigerant Connection				Refrigerant Line Size		Indoor Expansion Device		
	Evaporator Coil or Air Handler ³							Outdoor		Indoor		Suction	Liquid	Piston ²	TXV	
								Suction	Liquid	Suction	Liquid					
4AC13L 42P-7,8	BCS2M42C****P		13.00	11.00	40000	29200	1400	3/4	3/8	7/8	3/8	3/4	3/8	0.075	A4TXV01	
	BCS3M42C****P		13.00	11.00	40000	29200	1400	3/4	3/8	7/8	3/8	3/4	3/8	0.075	A4TXV01	
	BCE3M42C****P		13.00	11.00	40000	29200	1400	3/4	3/8	7/8	3/8	3/4	3/8	0.075	A4TXV01	
	BCS2M42V****P		13.50	11.00	40000	29200	1400	3/4	3/8	7/8	3/8	3/4	3/8	0.075	A4TXV01	
	E(C,H,M,U)1P43C	A80DF1E110C20		13.50	11.00	40000	29200	1400	3/4	3/8	7/8	3/8	3/4	3/8	0.075	A4TXV01
	E(C,H,M,U)1P43C	A80DF2V110C20		13.50	11.00	40000	29200	1400	3/4	3/8	7/8	3/8	3/4	3/8	0.075	A4TXV01
	E(C,H,M,U)1P43C	A80UH1E090C20*		13.50	11.00	40000	29200	1400	3/4	3/8	7/8	3/8	3/4	3/8	0.075	A4TXV01
	E(C,H,M,U)1P43C	A80UH1E110C20*		13.50	11.00	40000	29200	1400	3/4	3/8	7/8	3/8	3/4	3/8	0.075	A4TXV01
	E(C,H,M,U)1P43C	A80UH2V090C20		13.50	11.00	40000	29200	1400	3/4	3/8	7/8	3/8	3/4	3/8	0.075	A4TXV01
	E(C,H,M,U)1P43C	A80UH2V110C20		13.50	11.00	40000	29200	1400	3/4	3/8	7/8	3/8	3/4	3/8	0.075	A4TXV01
	E(C,H,M,U)1P43C	A95DF1E110C20S		13.50	11.00	40000	29200	1400	3/4	3/8	7/8	3/8	3/4	3/8	0.075	A4TXV01
	E(C,H,M,U)1P43C	A95UH1E110C20S		13.50	11.00	40000	29200	1400	3/4	3/8	7/8	3/8	3/4	3/8	0.075	A4TXV01
	E(C,H,M,U)1P43C	A95UH2V090C16S		13.50	11.00	40000	29200	1400	3/4	3/8	7/8	3/8	3/4	3/8	0.075	A4TXV01
	E(C,H,M,U)1P43C	A95UH2V090C20S		13.50	11.00	40000	29200	1400	3/4	3/8	7/8	3/8	3/4	3/8	0.075	A4TXV01
	E(C,H,M,U)1P43C	A95UH2V110C16S		13.50	11.00	40000	29200	1400	3/4	3/8	7/8	3/8	3/4	3/8	0.075	A4TXV01
	E(C,H,M,U)1P43C	A95UH2V110C20S		13.50	11.00	40000	29200	1400	3/4	3/8	7/8	3/8	3/4	3/8	0.075	A4TXV01
	E(C,H,M,U)1P43C	A97DSMV090C16		13.50	11.00	40000	29200	1400	3/4	3/8	7/8	3/8	3/4	3/8	0.075	A4TXV01
	E(C,H,M,U)1P43C	A97DSMV090C20		13.50	11.00	40000	29200	1400	3/4	3/8	7/8	3/8	3/4	3/8	0.075	A4TXV01
	E(C,H,M,U)1P43C	A97DSMV110C20		13.50	11.00	40000	29200	1400	3/4	3/8	7/8	3/8	3/4	3/8	0.075	A4TXV01
	E(C,H,M,U)1P43C	A97USMV090C16		13.50	11.00	40000	29200	1400	3/4	3/8	7/8	3/8	3/4	3/8	0.075	A4TXV01
	E(C,H,M,U)1P43C	A97USMV090C20		13.50	11.00	40000	29200	1400	3/4	3/8	7/8	3/8	3/4	3/8	0.075	A4TXV01
	E(C,H,M,U)1P43C	A97USMV110C20		13.50	11.00	40000	29200	1400	3/4	3/8	7/8	3/8	3/4	3/8	0.075	A4TXV01
	E(C,H,M,U)1P43C	A96DFMV090C16		13.50	11.00	40000	29200	1400	3/4	3/8	7/8	3/8	3/4	3/8	0.075	A4TXV01
	E(C,H,M,U)1P43C	A96DFMV090C20		13.50	11.00	40000	29200	1400	3/4	3/8	7/8	3/8	3/4	3/8	0.075	A4TXV01
	E(C,H,M,U)1P43C	A96DFMV110C20		13.50	11.00	40000	29200	1400	3/4	3/8	7/8	3/8	3/4	3/8	0.075	A4TXV01
	E(C,H,M,U)1P43C	A96UHMV090C16		13.50	11.00	40000	29200	1400	3/4	3/8	7/8	3/8	3/4	3/8	0.075	A4TXV01
	E(C,H,M,U)1P43C	A96UHMV090C20		13.50	11.00	40000	29200	1400	3/4	3/8	7/8	3/8	3/4	3/8	0.075	A4TXV01
	E(C,H,M,U)1P43C	A96UHMV110C20		13.50	11.00	40000	29200	1400	3/4	3/8	7/8	3/8	3/4	3/8	0.075	A4TXV01
	E(C,H,M,U)1P43C	LUF80*112/125V20		13.50	11.00	40000	29200	1400	3/4	3/8	7/8	3/8	3/4	3/8	0.075	A4TXV01
	E(C,H,M,U)1P49C	A80DF1E110C20		13.50	11.00	40000	29200	1400	3/4	3/8	7/8	3/8	3/4	3/8	0.075	A4TXV01

Note:

¹ Certified in accordance with Unitary Air Conditioner Certification Program, which is based on AHRI Standard 210/240

² Required to achieve AHRI rating. If NA (Not Applicable) is in the piston column, then TXV is required.

³ A blower time delay relay is required to achieve AHRI rating. This feature is standard on all Allied Air Enterprises furnace and AH products.

Cooling Performance with Air Handlers and Furnaces 42

Outdoor Model	Indoor Model	Variable Speed Furnace	SEER	EER	Rated ARI Capacity ¹ BTUH	Rated Sensible Capacity BTUH	CFM	Refrigerant Connection				Refrigerant Line Size		Indoor Expansion Device	
	Evaporator Coil or Air Handler ³							Outdoor		Indoor		Suction	Liquid	Piston ²	TXV
								Suction	Liquid	Suction	Liquid				
4AC13L 42P-7,8	E(C,H,M,U)1P49C	A80DF2V110C20	13.50	11.00	40000	29200	1400	3/4	3/8	7/8	3/8	3/4	3/8	0.075	A4TXV01
	E(C,H,M,U)1P49C	A80UH1E090C20*	13.50	11.00	40000	29200	1400	3/4	3/8	7/8	3/8	3/4	3/8	0.075	A4TXV01
	E(C,H,M,U)1P49C	A80UH1E110C20*	13.50	11.00	40000	29200	1400	3/4	3/8	7/8	3/8	3/4	3/8	0.075	A4TXV01
	E(C,H,M,U)1P49C	A80UH2V090C20	13.50	11.00	40000	29200	1400	3/4	3/8	7/8	3/8	3/4	3/8	0.075	A4TXV01
	E(C,H,M,U)1P49C	A80UH2V110C20	13.50	11.00	40000	29200	1400	3/4	3/8	7/8	3/8	3/4	3/8	0.075	A4TXV01
	E(C,H,M,U)1P49C	A95DF1E110C20S	13.50	11.00	40000	29200	1400	3/4	3/8	7/8	3/8	3/4	3/8	0.075	A4TXV01
	E(C,H,M,U)1P49C	A95UH1E110C20S	13.50	11.00	40000	29200	1400	3/4	3/8	7/8	3/8	3/4	3/8	0.075	A4TXV01
	E(C,H,M,U)1P49C	A95UH2V090C16S	13.50	11.00	40000	29200	1400	3/4	3/8	7/8	3/8	3/4	3/8	0.075	A4TXV01
	E(C,H,M,U)1P49C	A95UH2V090C20S	13.50	11.00	40000	29200	1400	3/4	3/8	7/8	3/8	3/4	3/8	0.075	A4TXV01
	E(C,H,M,U)1P49C	A95UH2V110C16S	13.50	11.00	40000	29200	1400	3/4	3/8	7/8	3/8	3/4	3/8	0.075	A4TXV01
	E(C,H,M,U)1P49C	A95UH2V110C20S	13.50	11.00	40000	29200	1400	3/4	3/8	7/8	3/8	3/4	3/8	0.075	A4TXV01
	E(C,H,M,U)1P49C	A97DSMV090C16	13.50	11.00	40000	29200	1400	3/4	3/8	7/8	3/8	3/4	3/8	0.075	A4TXV01
	E(C,H,M,U)1P49C	A97DSMV110C20	13.50	11.00	40000	29200	1400	3/4	3/8	7/8	3/8	3/4	3/8	0.075	A4TXV01
	E(C,H,M,U)1P49C	A97USMV090C16	13.50	11.00	40000	29200	1400	3/4	3/8	7/8	3/8	3/4	3/8	0.075	A4TXV01
	E(C,H,M,U)1P49C	A97USMV090C20	13.50	11.00	40000	29200	1400	3/4	3/8	7/8	3/8	3/4	3/8	0.075	A4TXV01
	E(C,H,M,U)1P49C	A97USMV110C20	13.50	11.00	40000	29200	1400	3/4	3/8	7/8	3/8	3/4	3/8	0.075	A4TXV01
	E(C,H,M,U)1P49C	A96DFMV090C16	13.50	11.00	40000	29200	1400	3/4	3/8	7/8	3/8	3/4	3/8	0.075	A4TXV01
	E(C,H,M,U)1P49C	A96DFMV110C20	13.50	11.00	40000	29200	1400	3/4	3/8	7/8	3/8	3/4	3/8	0.075	A4TXV01
	E(C,H,M,U)1P49C	A96UHMV090C16	13.50	11.00	40000	29200	1400	3/4	3/8	7/8	3/8	3/4	3/8	0.075	A4TXV01
	E(C,H,M,U)1P49C	A96UHMV090C20	13.50	11.00	40000	29200	1400	3/4	3/8	7/8	3/8	3/4	3/8	0.075	A4TXV01
	E(C,H,M,U)1P49C	A96UHMV110C20	13.50	11.00	40000	29200	1400	3/4	3/8	7/8	3/8	3/4	3/8	0.075	A4TXV01
	E(C,H,M,U)1P49C	LUF80*112/125V20	13.50	11.00	40000	29200	1400	3/4	3/8	7/8	3/8	3/4	3/8	0.075	A4TXV01
	E(C,H,M,U)1P50C	A80DF1E110C20	13.50	11.00	40000	29200	1400	3/4	3/8	7/8	3/8	3/4	3/8	0.075	A4TXV01
	E(C,H,M,U)1P50C	A80DF2V110C20	13.50	11.00	40000	29200	1400	3/4	3/8	7/8	3/8	3/4	3/8	0.075	A4TXV01
	E(C,H,M,U)1P50C	A80UH1E090C20*	13.50	11.00	40000	29200	1400	3/4	3/8	7/8	3/8	3/4	3/8	0.075	A4TXV01
	E(C,H,M,U)1P50C	A80UH1E110C20*	13.50	11.00	40000	29200	1400	3/4	3/8	7/8	3/8	3/4	3/8	0.075	A4TXV01
	E(C,H,M,U)1P50C	A80UH2V090C20	13.50	11.00	40000	29200	1400	3/4	3/8	7/8	3/8	3/4	3/8	0.075	A4TXV01
	E(C,H,M,U)1P50C	A95DF1E110C20S	13.50	11.00	40000	29200	1400	3/4	3/8	7/8	3/8	3/4	3/8	0.075	A4TXV01
	E(C,H,M,U)1P50C	A95UH2V090C16S	13.50	11.00	40000	29200	1400	3/4	3/8	7/8	3/8	3/4	3/8	0.075	A4TXV01
	E(C,H,M,U)1P50C	A95UH2V090C20S	13.50	11.00	40000	29200	1400	3/4	3/8	7/8	3/8	3/4	3/8	0.075	A4TXV01

Note:

¹ Certified in accordance with Unitary Air Conditioner Certification Program, which is based on AHRI Standard 210/240

² Required to achieve AHRI rating. If NA (Not Applicable) is in the piston column, then TXV is required.

³ A blower time delay relay is required to achieve AHRI rating. This feature is standard on all Allied Air Enterprises furnace and AH products.

13 SEER Split System Air Conditioner

Cooling Performance with Air Handlers and Furnaces 42, 48, 60

Outdoor Model	Indoor Model	Variable Speed Furnace	SEER	EER	Rated ARI Capacity ¹ BTUH	Rated Sensible Capacity BTUH	CFM	Refrigerant Connection				Refrigerant Line Size		Indoor Expansion Device	
	Evaporator Coil or Air Handler ³							Outdoor		Indoor		Suction	Liquid	Piston ²	TXV
								Suction	Liquid	Suction	Liquid				
4AC13L 42P-7,8	E(C,H,M,U)1P50C	A95UH2V110C16S	13.50	11.00	40000	29200	1400	3/4	3/8	7/8	3/8	3/4	3/8	0.075	A4TXV01
	E(C,H,M,U)1P50C	A95UH2V110C20S	13.50	11.00	40000	29200	1400	3/4	3/8	7/8	3/8	3/4	3/8	0.075	A4TXV01
	E(C,H,M,U)1P50C	A97USMV090C16	13.50	11.00	40000	29200	1400	3/4	3/8	7/8	3/8	3/4	3/8	0.075	A4TXV01
	E(C,H,M,U)1P50C	A97USMV090C20	13.50	11.00	40000	29200	1400	3/4	3/8	7/8	3/8	3/4	3/8	0.075	A4TXV01
	E(C,H,M,U)1P50C	A97USMV110C20	13.50	11.00	40000	29200	1400	3/4	3/8	7/8	3/8	3/4	3/8	0.075	A4TXV01
	E(C,H,M,U)1P50C	A96UHMV090C16	13.50	11.00	40000	29200	1400	3/4	3/8	7/8	3/8	3/4	3/8	0.075	A4TXV01
	E(C,H,M,U)1P50C	A96UHMV090C20	13.50	11.00	40000	29200	1400	3/4	3/8	7/8	3/8	3/4	3/8	0.075	A4TXV01
	E(C,H,M,U)1P50C	A96UHMV110C20	13.50	11.00	40000	29200	1400	3/4	3/8	7/8	3/8	3/4	3/8	0.075	A4TXV01
4AC13L 48P-7,8	BCS2M48C****P		13.00	11.00	47000	34300	1600	7/8	3/8	7/8	3/8	7/8	3/8	0.082	A4TXV02
	BCS3M48C****P		13.00	11.00	47000	34300	1600	7/8	3/8	7/8	3/8	7/8	3/8	0.082	A4TXV02
	BCE3M48C****P		13.00	11.00	47000	34300	1600	7/8	3/8	7/8	3/8	7/8	3/8	0.082	A4TXV02
	BCS2M48V****P		13.50	11.00	47000	34300	1600	7/8	3/8	7/8	3/8	7/8	3/8	0.082	A4TXV02
4AC13L 60P-7,8	BCS2M60C****P		13.00	11.00	57000	41000	1800	7/8	3/8	7/8	3/8	7/8	3/8	0.090	A4TXV02
	BCS3M60C****P		13.00	11.00	56000	40200	1800	7/8	3/8	7/8	3/8	7/8	3/8	0.090	A4TXV02
	BCE3M60C****P		13.00	11.00	56000	40200	1800	7/8	3/8	7/8	3/8	7/8	3/8	0.090	A4TXV02
	BCS2M60V****P		13.50	11.00	57000	41000	1800	7/8	3/8	7/8	3/8	7/8	3/8	0.090	A4TXV02

Note:

¹ Certified in accordance with Unitary Air Conditioner Certification Program, which is based on AHRI Standard 210/240

² Required to achieve AHRI rating. If NA (Not Applicable) is in the piston column, then TXV is required.

³ A blower time delay relay is required to achieve AHRI rating. This feature is standard on all Allied Air Enterprises furnace and AH products.

Cooling Performance — Extended Ratings

Outdoor Model	Indoor Model Piston or Field Installed TXV	Indoor Temp DB/WB °F	Outdoor Temp - DB°F														
			65			82			95			105			115		
			Btuh	S/T	kW	Btuh	S/T	kW	Btuh	S/T	kW	Btuh	S/T	kW	Btuh	S/T	kW
4AC13*18P-7, 8	E*1P24	85/72	23,500	0.63	1.27	21,200	0.65	1.52	20,700	0.68	1.66	18,500	0.70	1.83	18,000	0.73	2.00
		80/67	21,600	0.68	1.25	20,600	0.70	1.41	19,000	0.73	1.64	18,000	0.78	1.80	16,600	0.81	2.02
		75/63	20,200	0.74	1.26	18,500	0.76	1.35	17,000	0.80	1.64	15,100	0.83	1.80	14,200	0.88	1.99
		75/57	18,200	1.00	1.26	16,300	1.00	1.30	15,700	1.00	1.65	14,300	1.00	1.81	13,400	1.00	1.99
4AC13*24P-7, 8	E*1P24	85/72	29,500	0.63	1.61	27,400	0.65	1.99	25,900	0.68	2.12	23,500	0.72	2.34	22,400	0.73	2.58
		80/67	27,200	0.70	1.59	25,300	0.72	1.95	23,600	0.76	2.10	20,500	0.79	2.31	19,600	0.83	2.54
		75/63	25,500	0.73	1.57	24,100	0.75	1.91	21,200	0.80	2.08	19,600	0.81	2.29	17,600	0.87	2.50
		75/57	22,800	1.00	1.56	21,600	1.00	1.89	19,200	1.00	2.06	18,400	1.00	2.28	16,600	1.00	2.50
4AC13*30P-7, 8	E*1P24	85/72	35,100	0.62	1.96	33,100	0.65	2.41	31,000	0.67	2.57	28,400	0.69	3.00	26,800	0.72	3.17
		80/67	33,000	0.68	1.92	31,500	0.69	2.39	29,500	0.75	2.56	26,500	0.79	2.97	23,800	0.82	3.13
		75/63	31,000	0.71	1.90	29,100	0.73	2.31	26,200	0.77	2.51	24,300	0.82	2.95	21,900	0.84	3.09
		75/57	29,500	1.00	1.89	26,400	1.00	2.10	24,000	1.00	2.48	22,100	1.00	2.89	19,600	1.00	3.01
4AC13*36P-7, 8	E*1P36	85/72	42,100	0.61	2.40	39,890	0.64	2.86	38,200	0.67	3.22	35,650	0.70	3.61	33,100	0.73	3.99
		80/67	39,900	0.68	2.38	37,010	0.73	2.85	34,800	0.76	3.21	32,150	0.79	3.58	29,500	0.81	3.95
		75/63	37,900	0.71	2.36	34,727	0.75	2.82	32,300	0.78	3.17	29,600	0.82	3.53	26,900	0.86	3.88
		75/57	35,800	1.00	2.33	32,570	1.00	2.77	30,100	1.00	3.11	27,150	1.00	3.47	24,200	1.00	3.82
4AC13*43P-7, 8	E*1P43	85/72	52,200	0.61	2.97	49,100	0.63	3.56	46,900	0.65	3.91	44,800	0.69	4.62	41,300	0.70	4.79
		80/67	48,300	0.68	2.92	44,200	0.73	3.49	42,300	0.75	3.89	40,200	0.77	4.52	36,400	0.79	4.69
		75/63	45,100	0.72	2.88	41,600	0.72	3.35	39,200	0.77	3.80	37,100	0.81	4.49	32,400	0.83	4.59
		75/57	40,300	1.00	2.83	38,200	1.00	3.34	35,500	1.00	3.74	34,000	1.00	4.45	32,200	1.00	4.50
4AC13*48P-7, 8	E*1P49	85/72	61,100	0.63	3.56	57,870	0.65	4.50	55,400	0.66	4.57	52,000	0.69	5.03	48,600	0.71	5.48
		80/67	56,800	0.69	3.49	53,230	0.71	4.06	50,500	0.73	4.50	46,800	0.76	4.95	43,100	0.79	5.39
		75/63	53,300	0.72	3.44	49,447	0.75	4.01	46,500	0.77	4.44	42,800	0.80	4.92	39,100	0.83	5.39
		75/57	47,000	1.00	3.39	43,713	1.00	3.95	41,200	1.00	4.38	38,500	1.00	4.85	35,800	1.00	5.31
4AC13*60P-7, 8	E*1P49	85/72	69,800	0.61	4.02	66,457	0.63	4.75	63,900	0.64	5.30	59,950	0.67	5.87	56,000	0.69	6.44
		80/67	65,400	0.68	3.96	61,490	0.70	4.72	58,500	0.71	5.30	54,600	0.74	5.83	50,700	0.77	6.36
		75/63	61,400	0.71	3.90	56,923	0.73	4.59	53,500	0.75	5.12	49,650	0.78	5.70	45,800	0.81	6.27
		75/57	45,400	1.00	3.83	46,760	1.00	4.54	47,800	1.00	5.09	45,600	1.00	5.67	43,400	1.00	6.24

Note: Extended data shown is actual for models listed and typical for all AHRI matches.

* = Louvered

13 SEER Split System Air Conditioner

Accessories

Description	Where Used	Catalog Number
Crankcase Heater	18, 24, 30, 36	93M04
Crankcase Heater	42, 48, 60	93M05
Hard Start Kit	18	10J42
Hard Start kit	24, 30, 36, 42, 48, 60	88M91
Compressor Low Ambient Kit	18, 24, 30, 36, 42, 48, 60	45F08
Sound Blanket	18, 24, 30, 36, 42, 48, 60	69J03
Short Cycle Protector	18, 24, 30, 36, 42, 48, 60	47J27
Freezestat	3/8" tubing	93G35
Freezestat	5/8" tubing	50A93
Time Delay Relay	18, 24, 30, 36, 42, 48, 60	58M81
Loss of Charge Kit	18, 24, 30, 36, 42, 48, 60	84M23
TXV Kit	18 - 36	A4TXV01
TXV Kit	42 - 60	A4TXV02



(800) 448-5872

www.armstrongair.com

All specifications and illustrations
subject to change without notice
and without incurring obligations.