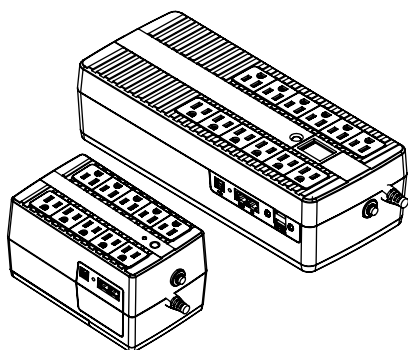


# Owner's Manual

## UPS Systems

Models:

**EC0350UPS, EC0550UPS, EC0650UPSM, EC0750UPS,  
EC0850LCD, EC0900LCDU2, EC0900UPSM**  
(Series Number: AG-0306, AG-0310, AG-0313, AG-0315,  
AG-0316, AG-0318, AG-0319)



**Español 21 • Français 41**

### WARRANTY REGISTRATION

Register your product today and be automatically entered to win an ISOBAR® surge protector in our monthly drawing!

[tripplite.com/warranty](http://tripplite.com/warranty)



# TRIPP-LITE



Manufacturing  
Excellence.

1111 W. 35th Street, Chicago, IL 60609 USA • [tripplite.com/support](http://tripplite.com/support)

Copyright © 2020 Tripp Lite. All rights reserved.

# Table of Contents

<b>Important Safety Instructions</b>	<b>3</b>
<b>Quick Installation (All Models)</b>	<b>5</b>
<b>Basic Operation for Models with an LED Interface (ECO350UPS, ECO550UPS, ECO650UPSM, ECO750UPS, ECO900UPSM)</b>	<b>8</b>
<b>Basic Operation for Models with an LCD Panel (ECO850LCD, ECO900LCDU2)</b>	<b>11</b>
<b>UPS Features</b>	<b>15</b>
<b>Battery Replacement</b>	<b>17</b>
<b>Storage and Service</b>	<b>18</b>
<b>Specifications</b>	<b>18</b>
<b>Product Registration</b>	<b>19</b>
<b>Regulatory Compliance</b>	<b>19</b>

# Important Safety Instructions

## SAVE THESE INSTRUCTIONS

This manual contains instructions and warnings that should be followed during the installation, maintenance and storage of the UPS and batteries. Failure to heed these warnings may affect the warranty.

### UPS Location Warnings

- Install your UPS indoors, away from excess moisture or heat, conductive contaminants, dust or direct sunlight.
- For best performance, keep the indoor temperature between 32° F and 104° F (0° C and 40° C).
- Leave adequate space around all sides of the UPS for proper ventilation.
- Optional mounting: The UPS may be securely mounted in a horizontal or vertical position. To mount, use two screws (not provided) to secure the UPS rear keyholes to a flat surface.

### UPS Connection Warnings

- Connect your UPS directly to a properly-grounded AC power outlet. Do not plug the UPS into itself; this will damage the UPS.
- Do not modify the UPS plug, and do not use an adapter that would eliminate the UPS ground connection.
- Do not use extension cords to connect the UPS to an AC outlet.
- If the UPS receives power from a motor-powered AC generator, the generator must provide clean, filtered, computer-grade output.
- The mains socket outlet that supplies the UPS should be easily accessible and located near the UPS.

### Equipment Connection Warnings



**Install in accordance with National Electrical Code standards ANSI/NFPA 70 and Canadian Electrical Code, Part I, C22.1.**

**Short-circuit backup protection and overcurrent protection is provided by the building installation.**

**To reduce the risk of fire, connect only to a circuit with a maximum 20A provided branch circuit overcurrent protection in accordance with the National Electrical Code, ANSI/NFPA 70 and the Canadian Electrical Code, Part I, C22.1. The plug on the power supply cord is intended to serve as the disconnect device. Be sure that the socket-outlet is installed near the equipment and is made easily accessible.**

**The UPS is intended for use on a TN power distribution system.**

# Important Safety Instructions

- Use of this equipment in life support applications where failure of this equipment can reasonably be expected to cause the failure of the life support equipment or to significantly affect its safety or effectiveness is not recommended.
- Do not connect surge protectors or extension cords to the output of your UPS. This might damage the UPS and may affect the surge protector and UPS warranties.
- Connect the UPS to an outlet that is adequately protected against excess currents, short circuits and earth faults as part of the building installation.

## Battery Warnings

- Batteries can present a risk of electrical shock and burn from high short-circuit current. Observe proper precautions. There are no user-serviceable parts inside the UPS. Do not open the UPS except to perform battery replacement. Do not open batteries. Do not short or bridge the battery terminals with any object. Released material is harmful to the skin and eyes. It may be toxic. Unplug and turn off the UPS before performing battery replacement. Use tools with insulated handles. Battery replacement should be performed only by authorized service personnel using the same number and type of batteries (sealed lead-acid). Do not dispose of the batteries in a fire. Tripp Lite offers a complete line of UPS System Replacement Battery Cartridges (R.B.C.). Visit Tripp Lite on the Web at [tripplite.com/products/battery-finder](http://tripplite.com/products/battery-finder) to locate the specific replacement battery for your UPS.



**CAUTION: A battery can present a risk of electrical shock and high short-circuit current. Contact with any part of a grounded battery can result in electrical shock. The following precautions should be observed when working on batteries:**

- Remove watches, rings or other metal objects.
- Use tools with insulated handles.
- Wear rubber gloves.
- Do not lay tools or metal parts on top of batteries.
- Disconnect charging source and load prior to installing or maintaining the battery.
- Remove battery grounds during installation and maintenance to reduce likelihood of shock.
- Remove the connection from ground if any part of the battery is determined to be grounded.

## UPS and Battery Recycling



**Pb**

Tripp Lite products use sealed lead-acid batteries, which are highly recyclable.

Call Tripp Lite at 1.773.869.1234 or visit [tripplite.com/support/recycling-program](http://tripplite.com/support/recycling-program) for more information on recycling the batteries or any other Tripp Lite product.

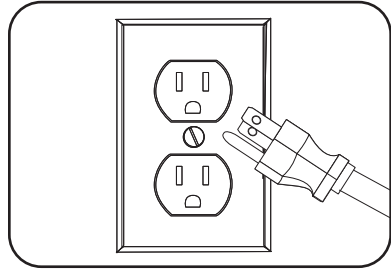
Please refer to local codes for disposal requirements.

## Quick Installation (All Models)

### STEP 1: Plug the UPS into a properly grounded outlet.

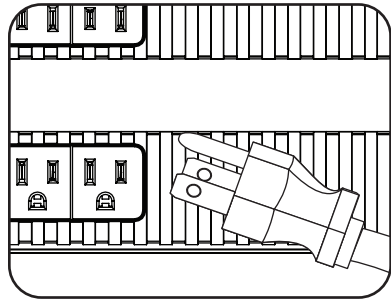
After plugging the UPS into a wall outlet, the surge only outlets will begin passing power.

**Note:** The UPS will not turn on automatically in the presence of live utility power.



### STEP 2: Plug your equipment into the UPS.

There are two sets of outlets on your UPS. Outlets marked SURGE ONLY / ⚡ do not provide battery backup power during power outages. Connect common desktop items like printers, scanners and other accessories not requiring battery support to these outlets. Outlets marked BATTERY BACKUP / 🔋 offer UPS battery backup support during power failures. Connect your vital computer equipment into these outlets.



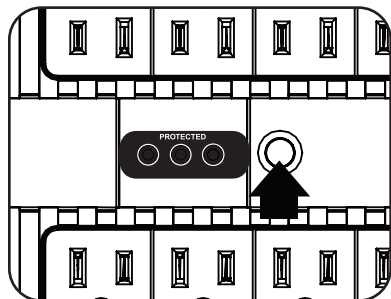
Your UPS is designed to support electronic equipment only. You will overload the UPS if the total volt-amp (VA) ratings for all the equipment connected to the BATTERY BACKUP / 🔋 outlets exceed the UPS output capacity. To find your equipment's VA ratings, look on their nameplates. If the equipment is listed in amps (A), multiply the number of amps by 120 to determine VA. For example:  $1A \times 120 = 120VA$ . If you suspect you have overloaded the outlets, remove some equipment.

### STEP 3: Turn the UPS on.

Press and hold the power switch next to the status LED or LCD screen until the alarm begins to sound, then release.

The UPS alarm will sound twice as the battery backup outlets begin passing power and the UPS charger engages as necessary to keep batteries fully charged.

Your UPS is now ready to protect equipment connected to the battery backup outlets from blackouts, brownouts, overvoltages and power failures.



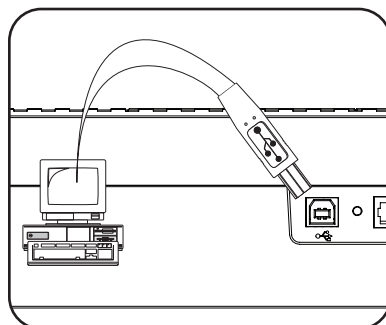
## Quick Installation (All Models)

If you experience LED/LCD issues when turning on your UPS, please refer to the table below:

Models	Problem	Solution (All Models)
ECO350UPS, ECO550UPS, ECO650UPSM (1 LED)	The PROTECTED LED does not illuminate when the UPS is turned ON.	1. Make sure the UPS is plugged into a live AC outlet. 2. Press and hold the power button to turn on the UPS. A beep should sound when the UPS starts.
ECO750UPS, ECO900UPSM (3 LEDs)	The PROTECTED LED does not illuminate when the UPS is turned ON.	3. If the UPS still does not start, contact Tripp Lite Tech Support for assistance.
ECO850LCD, ECO900LCDU2 (LCD Panel)	The LCD panel does not illuminate for 20 seconds when the UPS is first turned on.	

### Optional Installation

Both UPS models include USB communication ports and tel/DSL/Ethernet surge protection jacks (not compatible with PoE applications). These connections are optional, as the UPS will work properly without these connections.



# Quick Installation (All Models)

## ECO Energy Saving

The ECO Energy Saving feature allows your UPS system to save energy by automatically turning off designated outlets when your computer or other item connected to the “MASTER” outlet is turned off or in standby mode. The ECO feature is disabled by default.

### To enable ECO Energy Saving:

- 1 Connect nonessential devices that you would like to be automatically powered OFF and ON to the “CONTROLLED BY MASTER OUTLET” receptacles. Make sure that any devices connected to these outlets can be powered off automatically without interrupting your internet connection, local network or other essential services.
- 2 Select the device from your equipment configuration, such as a desktop computer, AV receiver or other vital component and connect its power cord to the designated “MASTER” outlet on the UPS. This master device will serve as the trigger to automatically power-on all equipment connected to “CONTROLLED BY MASTER OUTLET” receptacles whenever the device connected to the “MASTER” outlet is powered-on. When the device connected to the “MASTER” outlet is turned off or enters a low-power sleep mode, devices connected to the “CONTROLLED BY MASTER OUTLET” receptacles will automatically be powered off.
- 3 To enable ECO energy-saving mode, double-click the UPS power button while the UPS is turned on and running from utility power. The UPS confirms ECO mode is engaged via the LED or LCD interface:
  - On single LED models, the green LED flashes off every 10 seconds
  - On 3 LED models, the green LED to the left of the PROTECTED LED will flash off every 10 seconds
  - On LCD equipped models, the display will report ECO when the ECO status screen is activated
- 4 Once ECO energy-saving mode is enabled, the UPS will automatically turn OFF all devices connected to the “CONTROLLED BY MASTER OUTLET” receptacles approximately 3 minutes after the device connected to the “MASTER” outlet is turned off or enters a low-power sleep mode. (The 3 minute delay ensures the controlled outlets remain powered ON during a reboot). Devices connected to “CONTROLLED BY MASTER OUTLET” receptacles are automatically powered ON when the device connected to the “MASTER” outlet is powered back on.

**Note:** A minimum load is required on the “MASTER” outlet in order for controlled outlets to power ON, as stated in the table below.

Model	Required Load
ECO350UPS	15W
ECO550UPS	21W
ECO650UPSM	23W
ECO750UPS	23W
ECO850LCD	21W
ECO900UPSM	24W
ECO900LCDU2	24W

## Quick Installation (All Models)

### To disable ECO Energy Saving:

Double-click the UPS power button while the UPS is turned on and running from utility power. The UPS confirms ECO mode is OFF via the LED or LCD interface:

- On single LED models, the green LED will be lighted continuously
- On 3 LED models, the green LED to the left of the PROTECTED LED will be lighted continuously
- On LCD equipped models, the display will report ECO when the ECO status screen is off

**Note:** The "CONTROLLED BY MASTER OUTLET" receptacles available on the "SURGE ONLY" bank of outlets provide surge and noise suppression only, they do not provide battery backup. During a power failure, these outlets will be off regardless of whether the ECO energy-saving feature is enabled or disabled. Select models include one battery-backup supported "CONTROLLED BY MASTER OUTLET" receptacle.

## Basic Operation for Models with an LED Interface (EC0350UPS, EC0550UPS, EC0650UPSM, EC0750UPS, EC0900UPSM)

### UPS ON/OFF

- **Plug the UPS into a live, grounded outlet:** The SURGE ONLY outlets will begin passing power.
- **Plug equipment into the UPS:** You will overload the UPS if the total volt-amp (VA) ratings for all the equipment connected to the BATTERY BACKUP outlets exceed the UPS output capacity. To find your equipment's VA ratings, look on their nameplates. If the equipment is listed in amps (A), multiply the number of amps by 120 to determine VA. For example:  
 $1A \times 120 = 120VA$ .
- **Turn the UPS on:** Press and hold the power button next to the STATUS LEDs. The UPS alarm will beep once briefly and the left-side green LED will illuminate. The BATTERY BACKUP outlets will begin passing AC line power. The UPS will automatically recharge internal batteries as needed. Once turned on, your UPS is ready to protect connected equipment from blackouts, brownouts, overvoltages and transient surges.
- **Turn the UPS off:** Press and hold the power button next to the STATUS LEDs.

**Note:** UPS system will function properly upon initial startup; however, maximum runtime for the unit's battery will only be accessible after it has been charged for 24 hours.



# Basic Operation

for Models with an LED Interface (EC0350UPS, EC0550UPS, EC0650UPSM, EC0750UPS, EC0900UPSM)

## 1 LED Indicator

(EC0350UPS, EC0550UPS, EC0650UPSM Models)



Description	Green "PROTECTED" LED	Alarm
Line Mode	On (flashes off every 3 seconds if ECO Energy Saving feature enabled)	Off
Battery Mode	On, flashes off every 10 seconds	Off
Battery Low	On, flashes off every 1 second	Sounds every 1 second
Line Mode Overload Alert*	On	Sounds every 0.5 second
Line Mode Overload Fault*	Off	Sounds continuously
Battery Mode Overload Alert**	Flashes	Sounds every 0.5 second
Battery Mode Overload Fault**	Off	UPS will shut down
Replace Battery	On	Sounds every 1 minute
Fault Condition	Off	Sounds continuously

\*Line Mode Overload Alert Condition -  $110\% \pm 10\%$ , goes to fault after 5 minutes; Overload Fault Condition -  $120\% \pm 10\%$ , goes to fault immediately

\*\*Battery Mode Overload Alert Condition -  $110\% \pm 10\%$ , shuts down in 5 seconds; Battery Mode Overload Fault Condition -  $120\% \pm 10\%$ , shuts down immediately

# Basic Operation

for Models with an LED Interface (EC0350UPS, EC0550UPS, EC0650UPSM, EC0750UPS, EC0900UPSM)

## 3 LED Indicators (EC0750UPS, EC0900UPSM Models)



Description	Green LED 1 ~	Green LED 2	Red LED ⚠	Alarm
Line Mode	On	On	Off	Off
Battery Mode	Off	On (flashes OFF every 10 seconds)	Off	Off
Battery Low	Off	On (flashes every 1 second)	On	Sounds every 1 second
Line Mode Overload Alert*	On	On	Off	Sounds every 0.5 second
Line Mode Overload Fault*	Off	Off	On	Sounds continuously
Battery Mode Overload Alert**	Off	Flashes	Off	Sounds every 0.5 second
Battery Mode Overload Fault**	Off	Off	Off	Off
Replace Battery	On	On	Flashes on every 1 minute	Sounds every 1 minute
Fault Condition	Off	Off	On	Sounds continuously

\*Line Mode Overload Alert Condition -  $110\% \pm 10\%$ , goes to fault after 5 minutes; Overload Fault Condition -  $120\% \pm 10\%$ , goes to fault immediately.

\*\*Battery Mode Overload Alert Condition -  $110\% \pm 10\%$ , shuts down in 5 seconds; Battery Mode Overload Fault Condition -  $120\% \pm 10\%$ , shuts down immediately.

# Basic Operation

for Models with an LCD Panel (EC0850LCD, EC0900LCDU2)

## UPS ON/OFF

- **Plug the UPS into a live, grounded outlet.**

The LCD panel will illuminate and the battery charger will engage as necessary. The SURGE PROTECTED outlets will begin passing power.

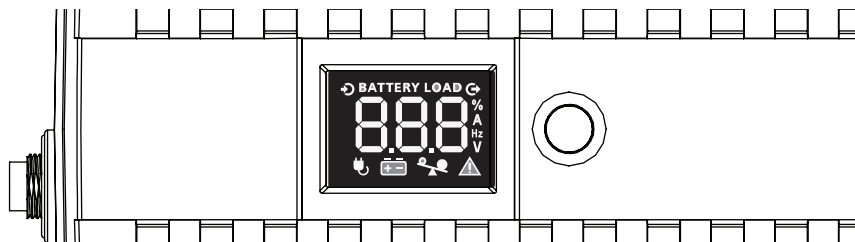
- **Plug equipment into the UPS:** You will overload the UPS if the total volt-amp (VA) ratings for all the equipment connected to the BATTERY/SURGE PROTECTED outlets exceed the UPS output capacity. To find your equipment's VA ratings, look on their nameplates. If the equipment is listed in amps (A), multiply the number of amps by 120 to determine VA. For example:  $1A \times 120 = 120VA$ .
- **Turn the UPS on:** Press and hold the power button. The alarm will beep twice. The BATTERY/SURGE PROTECTED outlets will begin passing AC line power. The UPS will automatically recharge internal batteries as needed. Once turned on, your UPS is ready to protect connected equipment from blackouts, brownouts, overvoltages and transient surges.
- **Turn the UPS off:** Press and hold the power button until a beep is heard, then release.

*Note: UPS system will function properly upon initial startup; however, maximum runtime for the unit's battery will only be accessible after it has been charged for 24 hours.*

# Basic Operation

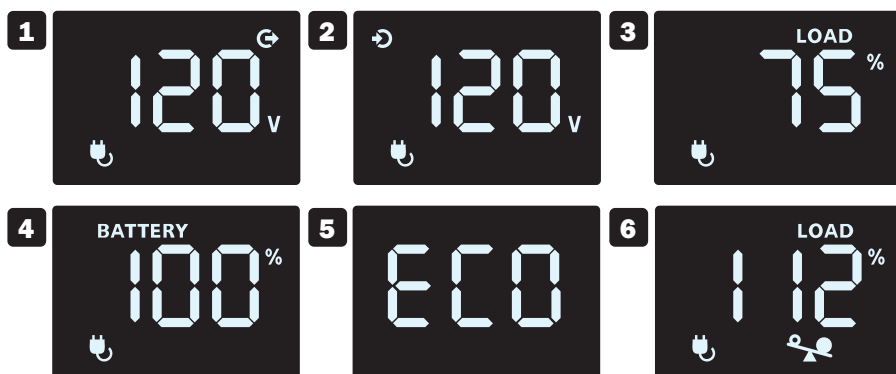
for Models with an LCD Panel (EC0850LCD, EC0900LCDU2)

## LCD Panel



## On-Line AC Power Mode LCD Data

The LCD touchscreen offers 6 screens of UPS and site power information when the UPS is operating in line power mode. Screens 1-5 (Output voltage, Input voltage, Load %, Battery charge % and ECO mode off/on status) are available for viewing in line power mode. Press the front panel LCD to advance to the next screen. Screen 6 (Overload) is displayed automatically only when the UPS is loaded to levels greater than 100%.



- 1 Output Voltage
- 2 Input Voltage
- 3 Load %
- 4 Battery Charge Level
- 5 ECO On/Off
- 6 Overload

**Note:** The touchscreen LCD display automatically turns-off in line power mode 20 seconds after it was last touched. To re-activate the LCD for an additional 20 seconds, touch the screen.

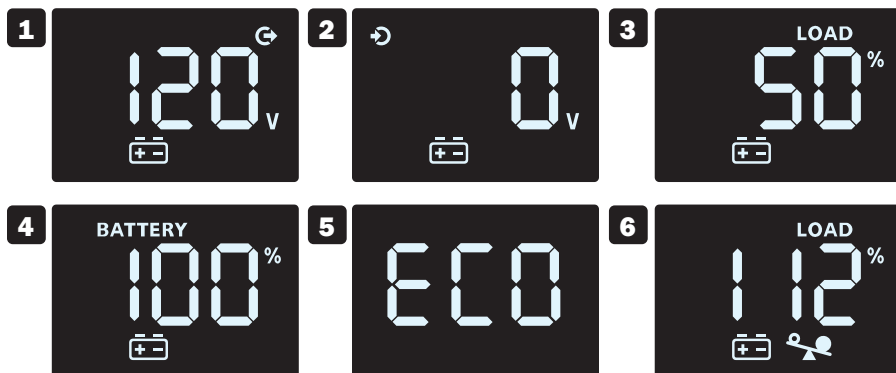
# Basic Operation

for Models with an LCD Panel (EC0850LCD, EC0900LCDU2)

Operating Mode		Alarm Description
Battery Mode	Normal	No Alarm
	Battery Low	Sounds Every Second
	Overload	Sounds Every 0.5 Second
Line Mode	Normal	No Alarm
	Overload	Sounds Every 0.5 Second
	Battery Replace	Sounds Every Minute
Fault Mode		Sounds Continuously

## Battery Power Mode LCD Data

The LCD touchscreen offers 6 screens of UPS and site power information when the UPS is operating in battery power mode. Screens 1-5 (Output voltage, Input voltage, Load %, Battery charge % and ECO mode off/on status) are available for viewing in line power mode. Press the front panel LCD to advance to the next screen. Screen 6 (Overload) is displayed automatically only when the UPS is loaded to levels greater than 100%.



- 1** Output Voltage
- 2** Input Voltage
- 3** Load %
- 4** Battery Charge Level
- 5** ECO On/Off
- 6** Overload

**Note:** The touchscreen LCD display will remain ON continuously during battery mode operation.

# Basic Operation

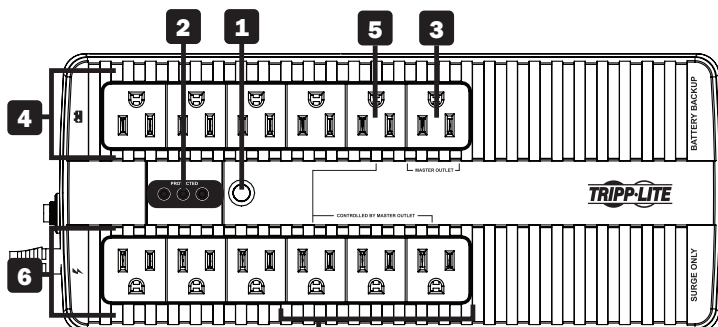
for Models with an LCD Panel (EC0850LCD, EC0900LCD2U)

## Critical Fault Screens

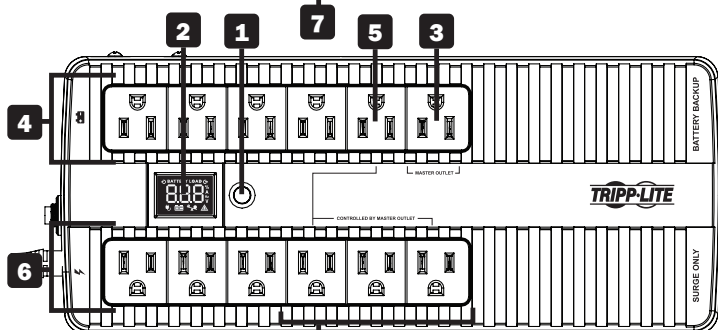


Error Code	Critical Fault	Solution
F01	OUTPUT SHORT	Disconnect load(s) from UPS outlets. Power off UPS and contact Tripp Lite Technical Support for assistance.
F02	OVERLOAD	Remove excess load, check load meter on LCD for load status.
F03	OVERCHARGE	Turn unit off, unplug UPS and contact Tripp Lite Technical Support for assistance.
F04	BATTERY LOW VOLTAGE	Charge UPS for 24 hours. If problem persists, replace battery and contact Tripp Lite Technical Support.
F05	BATTERY MODE HIGH OUTPUT	Turn off power to the UPS and contact Tripp Lite Technical Support for assistance.

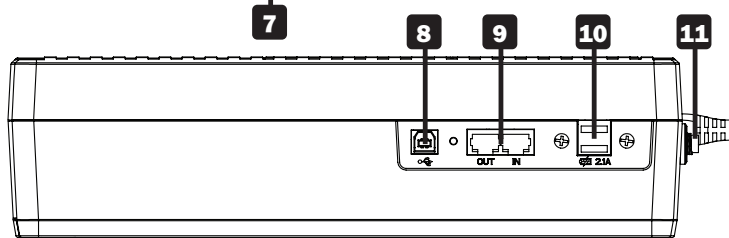
# UPS Features



Example of Model with an LED Interface. Model may differ from one shown in illustration.



Example of Model with an LCD Panel. Model may differ from one shown in illustration.



All models. Model may differ from one shown in illustration.

- 1 ON/OFF Button:** When the UPS is on, press and release this button after one beep to turn the UPS off.
- 2 LED Interface/LCD Panel:** Provides current status of the UPS.
  - For a detailed description of LEDs, refer to “LED Indicator(s)” in the **Basic Operation for Models with an LED Interface** section.
  - For a detailed description of the LCD panel, refer to “LCD Panel” in the **Basic Operation for Models with an LCD Panel** section.
- 3 “Master” Outlet:** The device connected to the battery-supported Master Outlet determines the OFF/ON power status of the designated “Controlled by Master Outlet” receptacles (5 and 7) whenever the ECO ECO Energy Saving feature is enabled. For more information, refer to “ECO Energy Saving” in the **Quick Installation** section.

# UPS Features

- 4 Battery Backup/Surge Protected Outlets:** These battery-supported outlets offer complete UPS battery backup and surge suppression for vital system components requiring continuous power.
- 5 “Controlled By Master Outlet” UPS Supported Receptacles (available on select models only):** This battery-supported outlet has the option for automatic OFF/ON power control in response to the power consumption status of the device connected to the Master Outlet when the ECO feature is enabled. For more information, refer to “ECO Energy Saving” in the **Quick Installation** section.
- 6 Surge Protected Outlets:** These outlets offer premium surge suppression only. Devices connected to these outlets will not receive battery backup during power failures.
- 7 “Controlled By Master Outlet” Surge-Only Receptacles:** These outlets have the option for automatic OFF/ON power control in response to power consumption of the device connected to the Master Outlet whenever the ECO feature is enabled. For more information, refer to “ECO Energy Saving” in the **Quick Installation** section.
- 8 USB Communication Port:** This port can connect your UPS to any computer for automatic file saving and unattended shutdown in the event of a power failure. Use with Tripp Lite’s PowerAlert® Software (available as a FREE download at [tripplite.com](http://tripplite.com)) and the USB cable included with your UPS. This connection is optional, your UPS will work properly without it.  
*Note: This UPS System provides basic communication compatibility with most integrated Windows®, Macintosh® and Linux® power management applications.*
- 9 Tel/DSL/Ethernet Line Protection Jacks:** These jacks protect equipment against surges over a single phone line or network connection. Connecting your equipment to these jacks is optional; your UPS will work properly without this connection.  
*Note: Not compatible with PoE (Power over Ethernet) applications.*
- 10 USB Charging Port (available on select models only):** The USB charging ports deliver 5V DC charge current for use with most cell phones, smartphones, MP3 players and other devices that are compatible with USB chargers.  
*Note: This port is intended for USB charging only. USB communication is not accessible through this port. USB charging is only available when the UPS is on and receiving utility power.*
- 11 Resettable Input Circuit Breaker:** Protects your electrical circuit from overcurrent draw from the UPS load. If this breaker trips, remove some of the load, then reset by pressing it in.



# Battery Replacement

Under normal conditions, the original battery in your UPS will last several years. Battery replacement should only be performed by qualified personnel. Refer to “Battery Warnings” in the **Important Safety Instructions** section for more information.

Model	Battery Replacement Type
ECO350UPS	DJW12-2.8
ECO550UPS	SHR3.6-12
ECO650UPSM	SHR3.6-12
ECO750UPS	12VDC, 7Ah
ECO850LCD	12VDC, 7Ah
ECO900UPSM	12VDC, 7Ah
ECO900LCDU2	12VDC, 7Ah

For further information about replacement compatibility and ordering, visit [tripplite.com/products/battery-finder](http://tripplite.com/products/battery-finder).



**Battery replacement must be done using the same battery type and quantity: 12V DC sealed lead-acid, 6-cell and in compliance with UL 1989.**



**CAUTION: Risk of energy hazard. Before replacing batteries, remove conductive jewelry such as chains, wristwatches and rings. High energy passing through conductive materials may cause severe burns.**



**Caution: Risk of explosion if battery is replaced by an incorrect battery type. Dispose of used batteries according to the instructions.**

# Storage and Service

## Storage

To avoid battery drain, all connected equipment should be turned off and disconnected from the UPS. Press and hold the power button next to the STATUS LEDs and disconnect the unit from AC power. Your UPS will be completely turned off (deactivated), and will be ready for storage. If you plan on storing your UPS for an extended period, fully recharge the UPS batteries every three months. Plug the UPS into a live AC outlet and allow the batteries to recharge for 4 to 6 hours. If you leave your UPS batteries discharged for a long period of time, they will suffer a permanent loss of capacity.

## Service

A variety of Extended Warranty and On-Site Service Programs are available from Tripp Lite. For more information on service, visit [triplite.com/support](http://triplite.com/support).

Before returning your product for service, follow these steps:

1. Review the installation and operation procedures in this manual to ensure that the service problem does not originate from a misreading of the instructions.
2. If the problem continues, do not contact or return the product to the dealer. Instead, visit [triplite.com/support](http://triplite.com/support).
3. If the problem requires service, visit [triplite.com/support](http://triplite.com/support) and click the Product Returns link. From here you can request a Returned Material Authorization (RMA) number, which is required for service. This simple on-line form will ask for your unit's model and serial numbers, along with other general purchaser information. The RMA number, along with shipping instructions, will be emailed to you. Any damages (direct, indirect, special or consequential) to the product incurred during shipment to Tripp Lite or an authorized Tripp Lite service center is not covered under warranty. Products shipped to Tripp Lite or an authorized Tripp Lite service center must have transportation charges prepaid. Mark the RMA number on the outside of the package. If the product is within its warranty period, enclose a copy of your sales receipt. Return the product for service using an insured carrier to the address given to you when you request the RMA.

# Specifications

Model	ECO350UPS	ECO550UPS	ECO650UPSM	ECO750UPS	ECO850LCD	ECO900LCDU2	ECO900UPSM
Nominal voltage and input range	120V~, 95-145V	120V~, 95-145V	120V~, 95-145V	120V~, 95-145V	120V~, 95-145V	120V~, 95-145V	120V~, 95-145V
Nominal input frequency and tolerance	50/60 Hz (+/- 5 Hz)	50/60 Hz (+/- 5 Hz)	50/60 Hz (+/- 5 Hz)	50/60 Hz (+/- 5 Hz)	50/60 Hz (+/- 5 Hz)	50/60 Hz (+/- 5 Hz)	50/60 Hz (+/- 5 Hz)
Nominal output voltage	120V~ in line mode and 120V~ in battery	120V~ in line mode and 120V~ in battery	120V~ in line mode and 120V~ in battery	120V~ in line mode and 120V~ in battery	120V~ in line mode and 120V~ in battery	120V~ in line mode and 120V~ in battery	120V~ in line mode and 120V~ in battery
Nominal output frequency	50/60 Hz (+/- 0.5 Hz)	50/60 Hz (+/- 0.5 Hz)	50/60 Hz (+/- 0.5 Hz)	50/60 Hz (+/- 0.5 Hz)	50/60 Hz (+/- 0.5 Hz)	50/60 Hz (+/- 0.5 Hz)	50/60 Hz (+/- 0.5 Hz)
Output voltage regulation in line mode	120 V~ (+6% / -12%)	120 V~ (+6% / -12%)	120 V~ (+6% / -12%)	120 V~ (+6% / -12%)	120 V~ (+6% / -12%)	120 V~ (+6% / -12%)	120 V~ (+6% / -12%)
Output voltage regulation in battery mode	120 V~ (+/-10%)	120 V~ (+/-10%)	120 V~ (+/-10%)	120 V~ (+/-10%)	120 V~ (+/-10%)	120 V~ (+/-10%)	120 V~ (+/-10%)

# Specifications

Model	ECO350UPS	ECO550UPS	ECO650UPSM	ECO750UPS	ECO850LCD	ECO900LCDU2	ECO900UPSM
Nominal output power in W / VA	210W / 350VA	300W / 500VA	325W / 650VA	450W / 750VA	425W / 850VA	480W / 900VA	480W / 900VA
Output voltage waveform	Sinusoidal in line mode and quasi-sine (PWM) in battery mode	Sinusoidal in line mode and quasi-sine (PWM) in battery mode	Sinusoidal in line mode and quasi-sine (PWM) in battery mode	Sinusoidal in line mode and quasi-sine (PWM) in battery mode	Sinusoidal in line mode and quasi-sine (PWM) in battery mode	Sinusoidal in line mode and quasi-sine (PWM) in battery mode	Sinusoidal in line mode and quasi-sine (PWM) in battery mode
Maximum output current @ PF.	2.9A @ 120V~	4.6A @ 120V~	5.4A @ 120V~	6.3A @ 120V~	7.1A @ 120V~	7.5A @ 120V~	7.5A @ 120V~
Efficiency with nominal load	95%	95%	95%	95%	95%	95%	95%
Maximum operating altitude at 100% of nominal power	6562 ft. (2000 m)	6562 ft. (2000 m)	6562 ft. (2000 m)	6562 ft. (2000 m)	6562 ft. (2000 m)	6562 ft. (2000 m)	6562 ft. (2000 m)
Online Overload Capability	110% +/- 10% @ 5 minutes	110% +/- 10% @ 5 minutes	110% +/- 10% @ 5 minutes	110% +/- 10% @ 5 minutes	110% +/- 10% @ 5 minutes	110% +/- 10% @ 5 minutes	110% +/- 10% @ 5 minutes
Overload capacity in battery mode	110% +/- 10% @ 5 seconds	110% +/- 10% @ 5 seconds	110% +/- 10% @ 5 seconds	110% +/- 10% @ 5 seconds	110% +/- 10% @ 5 seconds	110% +/- 10% @ 5 seconds	110% +/- 10% @ 5 seconds
Current limitation	5A @ 120V~	10A @ 120V~	6A @ 120V~	10A @ 120V~	10A @ 120V~	10A @ 120V~	10A @ 120V~
Autonomy time at full load	2 minutes @ 210W	1.2 minutes @ 300W	1 minute @ 325W	2 minutes @ 450W	2.3 minutes @ 425W	1.7 minutes @ 480W	1.7 minutes @ 480W
Battery recharge time	6.5 hours to 90%	6.5 hours to 90%	6.5 hours to 90%	6.5 hours to 90%	8 hours to 90%	8 hours to 90%	8 hours to 90%
Transfer time	6 milliseconds typical (10 milliseconds max)	6 milliseconds typical (10 milliseconds max)	6 milliseconds typical (10 milliseconds max)	6 milliseconds typical (10 milliseconds max)	6 milliseconds typical (10 milliseconds max)	6 milliseconds typical (10 milliseconds max)	6 milliseconds typical (10 milliseconds max)
Outlets	3x 5-15R outlets with battery backup and surge; 3x 5-15R outlets surge only	5x 5-15R outlets with battery backup and surge; 5x 5-15R outlets surge only	5x 5-15R outlets with battery backup and surge; 5x 5-15R outlets surge only	6x 5-15R outlets with battery backup and surge; 6x 5-15R outlets surge only	6x 5-15R outlets with battery backup and surge; 6x 5-15R outlets surge only	6x 5-15R outlets with battery backup and surge; 6x 5-15R outlets surge only	6x 5-15R outlets with battery backup and surge; 6x 5-15R outlets surge only
Maximum input current	5A @ 120V~	10A @ 120V~	6A @ 120V~	10A @ 120V~	10A @ 120V~	10A @ 120V~	10A @ 120V~

# Product Registration

Visit [tripplite.com/warranty](http://tripplite.com/warranty) today to register your new Tripp Lite product. You'll be automatically entered into a drawing for a chance to win a FREE Tripp Lite product!\*

\* No purchase necessary. Void where prohibited. Some restrictions apply. See website for details.

# Regulatory Compliance

## FCC Part 68 Notice (United States Only)

If your Modem/Fax Protection causes harm to the telephone network, the telephone company may temporarily discontinue your service. If possible, they will notify you in advance. If advance notice isn't practical, you will be notified as soon as possible. You will be advised of your right to file a complaint with the FCC. Your telephone company may make changes in its facilities, equipment, operations or procedures that could affect the proper operation of your equipment. If it does, you will be given advance notice to give you an opportunity to maintain

# Regulatory Compliance

uninterrupted service. If you experience trouble with this equipment's Modem/Fax Protection, please visit [triplite.com/support](http://triplite.com/support) for repair/warranty information. The telephone company may ask you to disconnect this equipment from the network until the problem has been corrected or you are sure the equipment is not malfunctioning. There are no repairs that can be made by the customer to the Modem/Fax Protection. This equipment may not be used on coin service provided by the telephone company. Connection to party lines is subject to state tariffs. (Contact your state public utility commission or corporation commission for information.)

## FCC Notice, Class B

This device complies with part 15 of the FCC Rules. Operation is subject to the following two conditions: (1) This device may not cause harmful interference, and (2) this device must accept any interference received, including interference that may cause undesired operation.

**Note:** This equipment has been tested and found to comply with the limits for a Class B digital device, pursuant to part 15 of the FCC Rules. These limits are designed to provide reasonable protection against harmful interference in a residential installation. This equipment generates, uses and can radiate radio frequency energy and, if not installed and used in accordance with the instructions, may cause harmful interference to radio communications. However, there is no guarantee that interference will not occur in a particular installation. If this equipment does cause harmful interference to radio or television reception, which can be determined by turning the equipment off and on, the user is encouraged to try to correct the interference by one or more of the following measures:

- Reorient or relocate the receiving antenna.
- Increase the separation between the equipment and receiver.
- Connect the equipment into an outlet on a circuit different from that to which the receiver is connected.
- Consult the dealer or an experienced radio/TV technician for help.

Any changes or modifications to this equipment not expressly approved by Tripp Lite could void the user's authority to operate this equipment.

## Equipment Attachment Limitations (models with the Industry Canada label in Canada only)

**NOTICE:** The Industry Canada label identifies certified equipment. This certification means that the equipment meets the telecommunications network protective, operational and safety requirements as prescribed in the appropriate Terminal Equipment Technical Requirements Document(s). The Department does not guarantee the equipment will operate to the user's satisfaction. Before installing this equipment, users should ensure that it is permissible to be connected to the facilities of the local telecommunications company. The equipment must also be installed using an acceptable method of connection. The customer should be aware that the compliance with the above conditions might not prevent degradation of service in some situations.

Repairs to certified equipment should be coordinated by a representative designated by the supplier. Any repairs or alterations made by the user to this equipment, or equipment malfunctions, may give the telecommunications company cause to request the user to disconnect the equipment.

Users should ensure for their own protection that the electrical ground connections of the power utility, telephone lines and internal metallic water pipe system, if present, are connected together. This precaution may be particularly important in rural areas. Caution: Users should not attempt to make connections themselves, but should contact the appropriate electric inspection authority, or electrician, as appropriate.

## Regulatory Compliance Identification Numbers

For the purpose of regulatory compliance certifications and identification, your Tripp Lite product has been assigned a unique series number. The series number can be found on the product nameplate label, along with all required approval markings and information. When requesting compliance information for this product, always refer to the series number. The series number should not be confused with the marking name or model number of the product.

Tripp Lite has a policy of continuous improvement.  
Product specifications are subject to change without notice.

### Note on Labeling

Two symbols are used on the label.

V~ : AC Voltage

V== : DC Voltage



1111 W. 35th Street, Chicago, IL 60609 USA • [triplite.com/support](http://triplite.com/support)

20

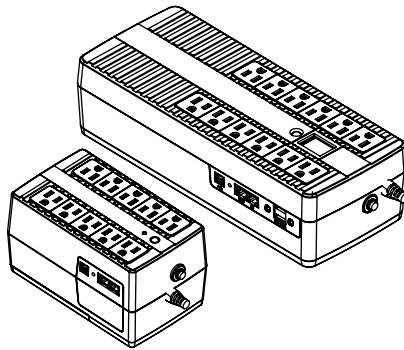
20-08-195 93-38D5\_RevB

# Manual del Propietario

## Sistemas UPS

Modelos:

**EC0350UPS, EC0550UPS, EC0650UPSM, EC0750UPS,  
EC0850LCD, EC0900LCDU2, EC0900UPSM**  
(Número de Serie: AG-0306, AG-0310, AG-0313, AG-0315,  
AG-0316, AG-0318, AG-0319)



English 1 • Français 41



1111 W. 35th Street, Chicago, IL 60609 EE UU • [tripplite.com/support](http://tripplite.com/support)

Copyright © 2020 Tripp Lite. Todos los derechos reservados.

# Índice

<b>Instrucciones de Seguridad Importantes</b>	<b>23</b>
<b>Instalación Rápida (Todos los Modelos)</b>	<b>25</b>
<b>Operación Básica para Modelos con una Interfaz LED (ECO350UPS, ECO550UPS, ECO650UPSM, ECO750UPS, ECO900UPSM)</b>	<b>28</b>
<b>Operación Básica para modelos con un panel LCD (ECO850LCD, ECO900LCDU2)</b>	<b>31</b>
<b>Características del UPS</b>	<b>35</b>
<b>Reemplazo de la Batería</b>	<b>37</b>
<b>Almacenamiento y Servicio</b>	<b>38</b>
<b>Especificaciones</b>	<b>38</b>
<b>Cumplimiento de las Regulaciones</b>	<b>39</b>

# Instrucciones de Seguridad Importantes

## CONSERVE ESTAS INSTRUCCIONES

Este manual contiene instrucciones y advertencias que deben seguirse durante la instalación, operación, mantenimiento y almacenamiento del UPS y baterías. La omisión en la observancia de estas advertencias puede afectar la garantía.

### Advertencias para la Ubicación del UPS

- Instale su UPS en interiores, alejado de humedad o calor excesivos, contaminantes conductores, polvo o luz solar directa.
- Para mejor desempeño, mantenga la temperatura interior entre 32 °F y 104 °F (0 °C y 40 °C).
- Deje espacio adecuado alrededor de todos los lados del UPS para una ventilación apropiada.
- Instalación opcional: El UPS puede instalarse con seguridad en posición horizontal o vertical.  
Para instalar, utilice dos tornillos (no proporcionados) para fijar los agujeros traseros del UPS a una superficie plana.

### Advertencias para la Conexión del UPS

- Conecte su UPS directamente a un tomacorrientes de CA conectado correctamente a tierra. No enchufe el UPS en sí mismo; esto dañará al UPS.
- No modifique la clavija del UPS y no use un adaptador que pueda eliminar la conexión a tierra del UPS.
- No use cables de extensión para conectar el UPS a un tomacorrientes de CA.
- Si el UPS recibe alimentación de un generador de CA activado por motor, debe probarse que el generador proporciona una salida de grado computadora, limpia y filtrada.
- El tomacorrientes que alimenta al UPS debe ser fácilmente accesible y estar cerca del UPS.

### Advertencias para la Conexión del Equipo



Instale de acuerdo con los estándares del Código Eléctrico Nacional ANSI / NFPA 70 y Código Eléctrico Canadiense, Parte I, C22.1.

La protección de respaldo por corto circuito y la protección contra sobrecorriente es proporcionada por la instalación del edificio.

Para reducir el riesgo de incendio, conecte solamente a un circuito con una protección de sobrecorriente de circuito de 20A máximo según el Código Eléctrico Nacional, ANSI/NFPA 70 y el Código Eléctrico Canadiense, Parte I, C22.1. La clavija en el cable de alimentación está diseñada para servir como dispositivo de desconexión. Asegúrese de que el tomacorrientes esté instalado cerca del equipo y sea fácilmente accesible.

El UPS está diseñado para utilizarse en un sistema de distribución de energía TN.

# Instrucciones de Seguridad Importantes

- No se recomienda el uso de este equipo en aplicaciones de soporte de vida en donde razonablemente se pueda esperar que la falla de este equipo cause la falla del equipo de soporte de vida o afectar significativamente su seguridad o efectividad.
- No conecte supresores de sobretensiones o cables de extensión a la salida de su UPS. Esto puede dañar al UPS y afectar las garantías del supresor de sobretensiones y del UPS.
- Conecte el UPS a un tomacorrientes que esté adecuadamente protegido contra corrientes excesivas, cortocircuitos, y fallas de conexión a tierra como parte de la instalación del edificio.

## Advertencias de la Batería

- Las baterías pueden presentar un riesgo de descarga eléctrica y quemaduras por la alta corriente de corto circuito. Observe las precauciones apropiadas. No hay partes dentro del UPS a las que el usuario pueda dar servicio. No abra el UPS, excepto para realizar el reemplazo de la batería. No abra las baterías. No ponga en corto o puentee las terminales de la batería con ningún objeto. El material liberado es dañino a la piel y ojos. Puede ser tóxico. Desenchufe y apague el UPS antes de reemplazar la batería. Use herramientas con mangos aislados. El reemplazo de la batería debe realizarlo solo el personal de servicio autorizado usando el mismo número y tipo de baterías (Plomo-Ácido Selladas). No deseche las baterías en el fuego. Tripp Lite ofrece una línea completa de Cartuchos de Batería de Repuesto (R.B.C.) para Sistemas UPS. Para localizar la batería de repuesto específica para su UPS, visite Tripp Lite en el sitio [tripplite.com/products/battery-finder](http://tripplite.com/products/battery-finder).



**PRECAUCIÓN: Una batería puede presentar un riesgo de descarga eléctrica y alta corriente de cortocircuito. Hacer contacto con cualquier parte de una batería conectada a tierra puede causar una descarga eléctrica. Al trabajar con baterías deben observarse las siguientes precauciones:**

- Retire relojes, anillos u otros objetos metálicos.
- Use herramientas con mangos aislados.
- Use guantes de hule.
- No coloque herramientas o partes metálicas sobre la parte superior de las baterías.
- Desconecte la fuente de carga y la carga antes de la instalación o el mantenimiento de la batería.
- Elimine las conexiones a tierra de la batería durante la instalación y mantenimiento para reducir la probabilidad de descarga.
- Quite la conexión a tierra si se determina que cualquier parte de la batería debe estar conectada a tierra.

## Reciclado de la batería y el UPS



**Pb**

Los productos de Tripp Lite usan baterías selladas de plomo-ácido, que son altamente reciclables.

Llame a Tripp Lite al 1.773.869.1234 o visite [tripplite.com/support/recycling-program](http://tripplite.com/support/recycling-program) para obtener información adicional sobre el reciclado de baterías u otro producto de Tripp Lite. Para los requisitos de desecho, por favor consulte sus códigos locales.

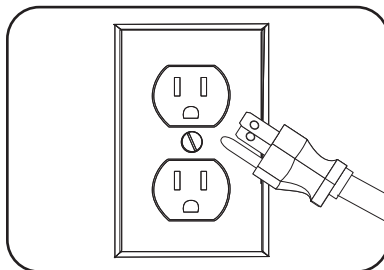


# Instalación Rápida (Todos los Modelos)

## Enchufe el UPS en un tomacorrientes activo conectado a tierra.

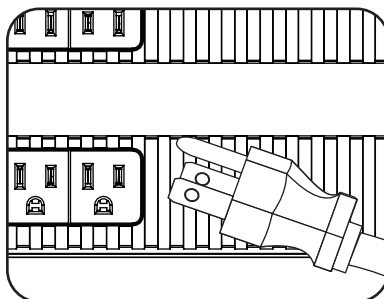
Después de enchufar el UPS en un tomacorriente en la pared, los tomacorrientes con únicamente supresión de sobretensiones empezarán a pasar energía.

**Nota:** El UPS no encenderá automáticamente en presencia de energía activa de la red pública.



## PASO 2: Enchufe su equipo en el UPS.

Hay dos grupos de tomacorrientes en su UPS. Los tomacorrientes marcados SURGE ONLY / ⚡ no proporcionan respaldo de energía por batería durante apagones. Conecte en estos tomacorrientes los equipos de escritorio comunes como impresoras, escáneres y otros accesorios que no requieran respaldo por batería. Los tomacorrientes marcados BATTERY BACKUP / 🔋 ofrecen respaldo por batería del UPS durante fallas de la energía. Conecte en estos tomacorrientes sus equipos de cómputo vitales.



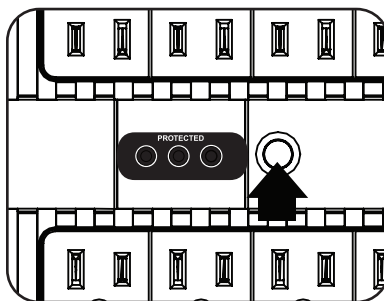
Su UPS está diseñado para soportar solamente equipo electrónico. Usted sobrecargará el UPS si el valor total en volt-amperes (VA) para todo el equipo conectado a los tomacorrientes BATTERY BACKUP / 🔋 excede la capacidad de salida del UPS. Para localizar los valores de VA de su equipo, consulte las placas de identificación. Si el equipo está especificado en amperes (A), multiplique el número de amperes por 120 para determinar VA. Por ejemplo:  $1A \times 120 = 120VA$ . Si sospecha que ha sobrecargado los tomacorrientes, retire algunos equipos.

## PASO 3: Encienda el UPS.

Presione y sostenga el switch de alimentación situado junto a la pantalla LCD o LED de estado hasta la alarma empiece a sonar, luego suéltelo.

La alarma del UPS sonará dos veces cuando los tomacorrientes respaldados por batería empiecen a pasar energía y el cargador UPS se active como sea necesario para mantener baterías completamente cargadas.

Su UPS está ahora listo para proteger el equipo conectado a los tomacorrientes con respaldo por batería contra apagones, caídas de voltaje, sobrevoltajes y fallas de energía.



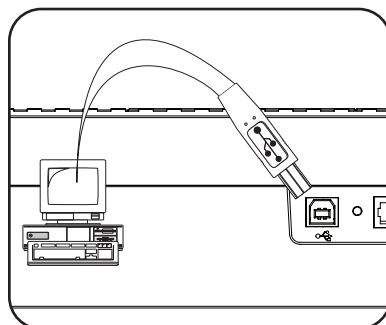
# Instalación Rápida (Todos los Modelos)

Si tiene problemas con el LED / LCD al encender su UPS, consulte la tabla siguiente:

Modelos	Problema	Solución (Todos los Modelos)
ECO350UPS, ECO550UPS, ECO650UPSM (1 LED)	El LED PROTEGIDO no se ilumina cuando se enciende el UPS.	1. Asegúrese de que el UPS esté conectado a un tomacorrientes de CA.
ECO750UPS, ECO900UPSM (3 LEDs)	El LED PROTEGIDO no se ilumina cuando se enciende el UPS.	2. Presione y sostenga el botón de alimentación para encender el UPS. Sonará un bip cuando el UPS arranque.
ECO850LCD, ECO900LCDU2 (Panel LCD)	El panel LCD no se ilumina durante 20 segundos cuando de enciende el UPS.	3. Si el UPS aún no arranca, póngase en contacto con Soporte Técnico de Tripp Lite para solicitar apoyo.

## Instalación Opcional

Ambos modelos de UPS incluyen puertos de comunicación USB y conectores de supresión de sobretensiones Tel / DSL / Ethernet (no compatible con aplicaciones PoE). Estas conexiones son opcionales, el UPS funcionará adecuadamente sin estas conexiones.



# Instalación Rápida (Todos los Modelos)

## Ahorro de Energía ECO

La función de ahorro de energía ECO permite a su sistema UPS ahorrar energía apagando automáticamente los tomacorrientes designados cuando su computadora u otro dispositivo conectado al tomacorriente "MAESTRO" está apagada o en modo en espera. La función ECO está desactivada de fábrica.

### Para activar el Ahorro de Energía ECO:

- 1 Conecte dispositivos no esenciales que le gustaría sean encendidos y apagados en forma automática a los tomacorrientes marcados "CONTROLLED BY MASTER OUTLET". Asegúrese de que cualquier dispositivo conectado a estos tomacorrientes pueda apagarse automáticamente sin interrumpir su conexión a Internet, red local u otros servicios esenciales.
- 2 Seleccione el dispositivo de la configuración de su equipo, como una computadora de escritorio, receptor de audio y video u otro componente vital y conecte el cable de alimentación en el tomacorriente designado "MASTER" en el UPS. Este dispositivo maestro servirá como el gatillo para apagar automáticamente a todos los equipos conectados a los tomacorrientes "CONTROLLED BY MASTER OUTLET" cuando el dispositivo conectado al tomacorriente "MASTER" esté encendido. Cuando el dispositivo conectado al tomacorriente "MASTER" se apaga o entra en un modo de reposo de bajo consumo, los dispositivos conectados a los tomacorrientes "CONTROLLED BY MASTER OUTLET" se apagarán automáticamente.
- 3 Para activar el modo de ahorro de energía ECO, haga doble click en el botón de alimentación del UPS mientras el UPS está encendido y funcionando de la energía de la red pública. El UPS confirma que el modo ECO está activo a través de la interfaz LCD o un grupo de LEDs:
  - En los modelos con únicamente un LED, el LED verde destella cada 10 segundos
  - En modelos con 3 LEDs, el LED verde a la izquierda del LED PROTECTED destellará cada 10 segundos
  - En modelos equipados con LCD, la pantalla reportará ECO cuando la pantalla de estado de ECO esté activada
- 4 Una vez habilitado el modo de ahorro de energía ECO, el UPS apagará automáticamente todos los dispositivos conectados a los tomacorrientes marcados "CONTROLLED BY MASTER OUTLET" aproximadamente 3 minutos después de que el dispositivo conectado a la salida "MASTER" se apaga o entra en modo de reposo de baja potencia. (El retraso de 3 minutos asegura que las salidas controladas permanezcan encendidas durante el reinicio). Los dispositivos conectados a tomacorrientes marcados "CONTROLLED BY MASTER OUTLET" son encendidos automáticamente cuando el dispositivo conectado a la salida "MASTER" se enciende nuevamente.

**Nota:** Se requiere un mínimo de carga en el tomacorriente "MASTER" a fin de encender los tomacorrientes controlados, como se indica en la siguiente tabla.

Modelo	Carga Requerida
ECO350UPS	15W
ECO550UPS	21W
ECO650UPSM	23W
ECO750UPS	23W
ECO850LCD	21W
ECO900UPSM	24W
ECO900LCDU2	24W

# Instalación Rápida (Todos los Modelos)

## Para desactivar el Ahorro de Energía ECO:

Haga doble click en el botón de encendido del UPS mientras el UPS está encendido y funcionando con la energía de la red pública. El UPS confirma que el modo ECO está apagado a través de la interfaz LCD o un grupo de LEDs:

- En los modelos con únicamente un LED, el LED verde estará iluminado continuamente
- En modelos con 3 LEDs, el LED verde a la izquierda de los LED PROTECTED encenderá continuamente
- En modelos equipados con LCD, la pantalla reportará ECO cuando la pantalla de estado de ECO esté apagada

**Nota:** Los tomacorrientes "CONTROLLED BY MASTER OUTLET" disponibles en el banco de tomacorrientes "SURGE ONLY" proporciona solamente supresión de sobretensiones y ruido, no proporcionan respaldo por batería. Durante una falla del suministro eléctrico, estos tomacorrientes se apagarán sin importar si la función ECO está activada o desactivada. Modelos selectos incluyen un tomacorriente con respaldo por batería "CONTROLLED BY MASTER OUTLET".

## Operación Básica

para Modelos con una Interfaz LED (EC0350UPS, EC0550UPS, EC0650UPSM, EC0750UPS, EC0900UPSM)

## ENCENDIDO Y APAGADO DEL UPS

- **Enchufe el UPS en un tomacorriente activo conectado a tierra:** Los tomacorrientes marcados SURGE ONLY empezarán a pasar energía.
- **Enchufe los equipos en el UPS:** Usted sobrecargará el UPS si el valor total en volt-amperes (VA) para todo el equipo conectado a los tomacorrientes BATTERY BACKUP [Respalados por batería] excede la capacidad de salida del UPS. Para localizar los valores de VA de su equipo, consulte las placas de identificación. Si el equipo está especificado en amperes (A), multiplique el número de amperes por 120 para determinar VA. Por ejemplo:  $1A \times 120 = 120VA$ .
- **Encienda el UPS:** Presione y sostenga el botón de encendido junto a LEDs DE ESTADO. La alarma del UPS sonará brevemente una vez y se encenderá el LED verde izquierdo. Los tomacorrientes BATTERY BACKUP empezarán a pasar energía de la línea de CA. El UPS recargará automáticamente las baterías internas según sea necesario. Una vez encendido, su UPS está listo para proteger los equipos conectados contra apagones, caídas de voltaje, sobrevoltajes y sobretensiones transientes.
- **Apague el UPS:** Presione y sostenga por el botón de encendido junto a los LEDs DE ESTADO.

**Nota:** El sistema UPS funcionará correctamente en el arranque inicial; no obstante, la autonomía máxima para la batería de la unidad sólo será accesible después de haberse cargado por 24 horas.

# Operación Básica

para Modelos con una Interfaz LED (EC0350UPS, EC0550UPS, EC0650UPSM, EC0750UPS, EC0900UPSM)

## 1 Indicador LED

(Modelos EC0350UPS, EC0550UPS, EC0650UPSM)



Descripción	LED Verde "PROTECTED"	Alarma
Modo en Línea	Encendido (destella cada 3 segundos si está activada la función de Ahorro de Energía ECO)	Apagado
Modo de Respaldo por Batería	Encendido, destella cada 10 segundos	Apagado
Batería Baja	Encendido, destella cada 1 segundo	Suena cada 1 segundo
Alerta por Sobrecarga en el Modo En Línea*	Encendido	Suena cada 0.5 segundos
Falla por Sobrecarga en el Modo En Línea*	Apagado	Suena continuamente.
Alerta por Sobrecarga en el Modo de en Respaldo por Batería**	Destella	Suena cada 0.5 segundos
Falla por Sobrecarga en el Modo de en Respaldo por Batería**	Apagado	El UPS se apagará
Reemplace su Batería	Encendido	Suena cada 1 minuto
Condición de Falla	Apagado	Suena continuamente.

\*Condición de Alerta por Sobrecarga en el Modo en Línea -  $110\% \pm 10\%$ , se va a falla después de 5 minutos; Condición de Falla por Sobrecarga -  $120\% \pm 10\%$ , se va a falla inmediatamente

\*\*Condición de Alerta por Sobrecarga en el modo de Respaldo por Batería -  $110\% \pm 10\%$ , se apaga en 5 segundos; Condición de Falla por Sobrecarga en el modo de Respaldo por Batería -  $120\% \pm 10\%$ , Se apaga inmediatamente

# Operación Básica

para Modelos con una Interfaz LED (EC0350UPS, EC0550UPS, EC0650UPSM, EC0750UPS, EC0900UPSM)

## 3 Indicadores LED (Modelos EC0750UPS, EC0900UPSM)



Descripción	LED Verde 1 ~	LED Verde 2	LED Rojo ⚠	Alarma
Modo en Línea	Encendido	Encendido	Apagado	Apagado
Modo de Respaldo por Batería	Apagado	Encendido (destella OFF cada 10 segundos)	Apagado	Apagado
Batería Baja	Apagado	Encendido (destella cada 1 segundo)	Encendido	Suena cada 1 segundo
Alerta por Sobrecarga en el Modo En Línea*	Encendido	Encendido	Apagado	Suena cada 0.5 segundos
Falla por Sobrecarga en el Modo En Línea*	Apagado	Apagado	Encendido	Suena continuamente.
Alerta por Sobrecarga en el Modo de en Respaldo por Batería**	Apagado	Destella	Apagado	Suena cada 0.5 segundos
Falla por Sobrecarga en el Modo de en Respaldo por Batería**	Apagado	Apagado	Apagado	Apagado
Reemplace su Batería	Encendido	Encendido	Destella cada 1 minuto	Suena cada 1 minuto
Condición de Falla	Apagado	Apagado	Encendido	Suena continuamente.

\*Condición de Alerta por Sobrecarga en el Modo en Línea -  $110\% \pm 10\%$ , se va a falla después de 5 minutos; Condición de Falla por Sobrecarga -  $120\% \pm 10\%$ , se va a falla inmediatamente.

\*\*Condición de Alerta por Sobrecarga en el Modo de Respaldo por Batería -  $110\% \pm 10\%$ , se apaga en 5 segundos; Condición de Falla por Sobrecarga en el Modo de Respaldo por Batería -  $120\% \pm 10\%$ , se apaga inmediatamente.

# Operación Básica

## para Modelos con un Panel LCD (EC0850LCD, EC0900LCDU2)

### ENCENDIDO Y APAGADO DEL UPS

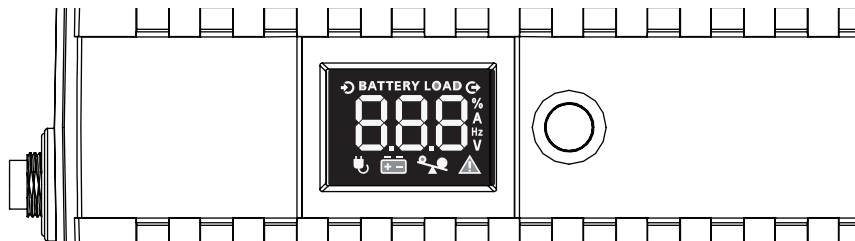
- **Enchufe el UPS en un tomacorriente activo conectado a tierra.**  
El panel de LCD se encenderá y el cargador de la batería se activará según sea necesario. Los tomacorrientes SURGE PROTECTED [protegidos contra sobretensiones] empezarán a pasar energía.
- **Enchufe el equipo en el UPS:** Usted sobrecargará el UPS si el valor total en volt-amperes (VA) para todo el equipo conectado a los tomacorrientes BATTERY / SURGE PROTECTED excede la capacidad de salida del UPS. Para localizar los valores de VA de su equipo, consulte las placas de identificación. Si el equipo está especificado en amperes (A), multiplique el número de amperes por 120 para determinar VA. Por ejemplo:  $1A \times 120 = 120VA$ .
- **Encienda el UPS:** Presione y mantenga presionado el botón de alimentación. La alarma sonará dos veces. Los tomacorrientes BATTERY/SURGE PROTECTED empezarán a pasar energía de la línea de CA. El UPS recargará automáticamente las baterías internas según sea necesario. Una vez encendido, su UPS está listo para proteger los equipos conectados contra apagones, caídas de voltaje, sobrevoltajes y sobretensiones transientes.
- **Apague el UPS:** Oprima y sostenga el botón de alimentación hasta que se escuche un bip, entonces suéltelo.

***Nota:** El sistema UPS funcionará correctamente en el arranque inicial; no obstante, la autonomía máxima para la batería de la unidad sólo será accesible después de haberse cargado por 24 horas.*

# Operación Básica

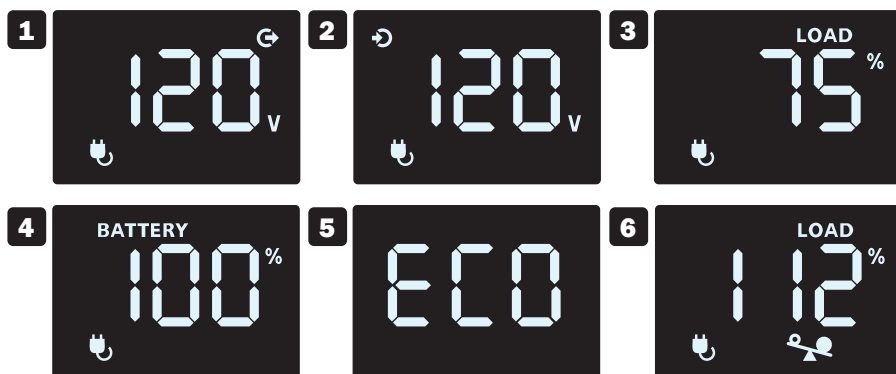
para Modelos con un Panel LCD (EC0850LCD, EC0900LCDU2)

## Panel LCD



## Datos del LCD de Modo de Alimentación de CA En Línea

La pantalla LCD táctil ofrece 6 pantallas de información de la energía del UPS y el sitio cuando el UPS esté operando en modo de energía de línea. Las pantallas 1 ~ 5 (Voltaje de salida, Voltaje de entrada al, Carga en %, Carga de la batería en % y estado de apagado y encendido de Modo ECO) están disponibles para visualización en modo de alimentación de línea. Para avanzar a la siguiente pantalla, toque el LCD de la pantalla frontal. La pantalla 6 (Sobrecarga) se muestra automáticamente solo cuando el UPS esté cargado a niveles superiores al 100%.



- 1** Voltaje de Salida
- 2** Voltaje de Entrada
- 3** % de Carga
- 4** Nivel de Carga de la Batería
- 5** ECO Encendido y Apagado
- 6** Sobrecarga

**Nota:** La pantalla LCD táctil se apaga automáticamente en el modo de alimentación de línea 20 segundos después de la última vez que se tocó. Para volver a activar el LCD por 20 segundos adicionales, toque la pantalla.



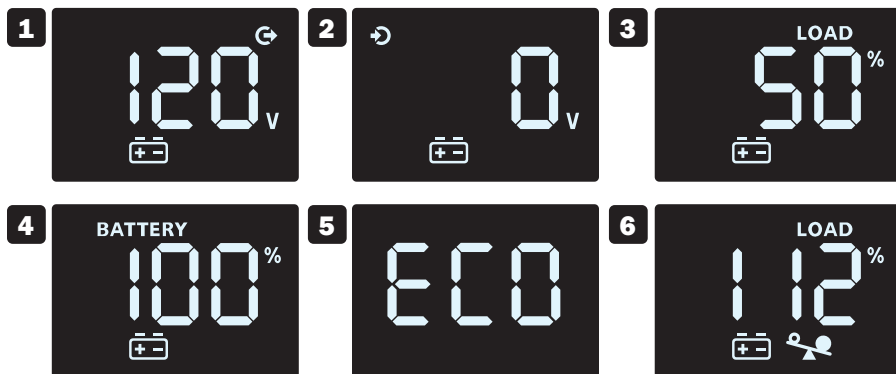
# Operación Básica

para Modelos con un Panel LCD (EC0850LCD, EC0900LCDU2)

Modo de Operación		Descripción de la Alarma
Modo de en Respaldo por Batería	Normal	Sin Alarma
	Batería Baja	Suena Cada Segundo
	Sobrecarga	Suena Cada 0.5 Segundos
Modo en Línea	Normal	Sin Alarma
	Sobrecarga	Suena Cada 0.5 Segundos
	Reemplazo de la Batería	Suena Cada Minuto
Modo de Falla		Suena Continuamente.

## Datos del LCD del Modo de Alimentación por Batería

La pantalla LCD táctil ofrece 6 pantallas de información de la energía del UPS y el sitio cuando el UPS esté operando en modo de alimentación por batería. Las pantallas 1 ~ 5 (Voltaje de salida, Voltaje de entrada al, Carga en %, Carga de la batería en % y estado de apagado y encendido de Modo ECO) están disponibles para visualización en modo de alimentación de línea. Para avanzar a la siguiente pantalla, toque el LCD de la pantalla frontal. La pantalla 6 (Sobrecarga) se muestra automáticamente solo cuando el UPS esté cargado a niveles superiores al 100%.



- 1** Voltaje de Salida
- 2** Voltaje de Entrada
- 3** % de Carga
- 4** Nivel de Carga de la Batería
- 5** ECO Encendido y Apagado
- 6** Sobrecarga

**Nota:** La pantalla LCD táctil permanecerá encendida continuamente durante la operación en el modo de respaldo por batería.

# Operación Básica

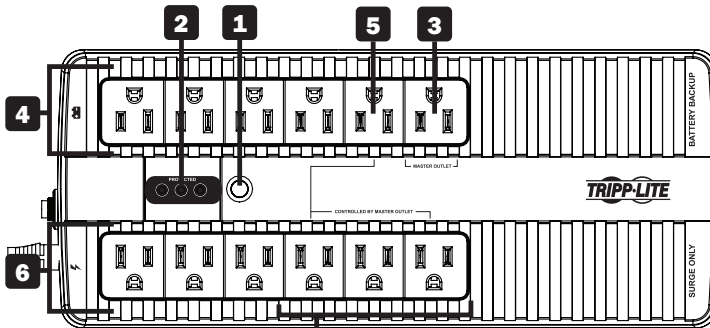
para Modelos con un Panel LCD (EC0850LCD, EC0900LCD2U)

## Pantallas de Fallas Críticas

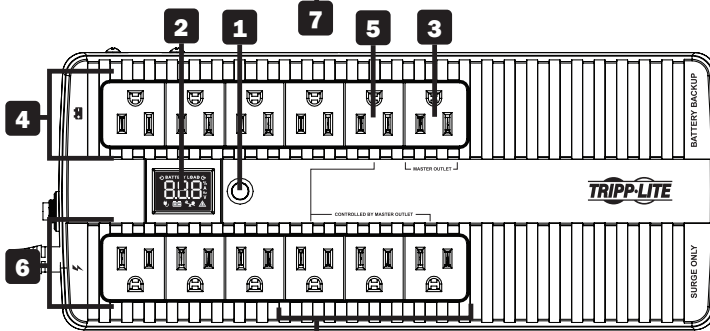


Código de Error	Falla Crítica	Solución:
F01	CORTO EN LA SALIDA	Desconecte carga(s) de los tomacorrientes del UPS. Apague el UPS y póngase en contacto con Soporte Técnico de Tripp Lite para obtener apoyo.
F02	SOBRECARGA	Elimine el exceso de carga, revise el medidor de carga en el LCD para ver el estado de la carga.
F03	SOBRECARGA	Apague la unidad, desenchufe el UPS y póngase en contacto con el Soporte Técnico de Tripp Lite para obtener apoyo
F04	VOLTAJE BAJO DE LA BATERÍA	Cargue el UPS durante 24 horas. Si el problema persiste, reemplace la batería y póngase en contacto con Soporte Técnico de Tripp Lite.
F05	SALIDA ALTA EN MODO DE BATERÍA	Apague el UPS y póngase en contacto con el Soporte Técnico de Tripp Lite para obtener apoyo.

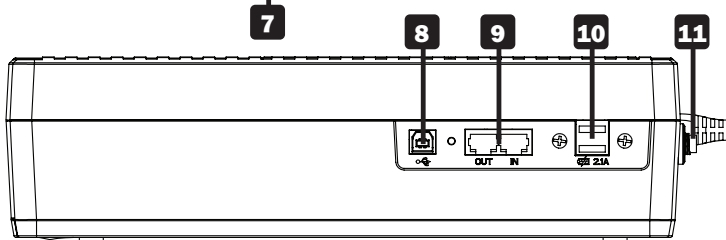
# Características del UPS



Ejemplo de Modelo con una Interfaz LED. El modelo puede variar del mostrado en la ilustración.



Ejemplo de Modelo con un Panel LCD. El modelo puede variar del mostrado en la ilustración.



Todos los modelos. El modelo puede variar del mostrado en la ilustración.

- 1 Botón ON/OFF [Encendido y Apagado]:** Cuando el UPS está encendido, presione y suelte este botón después de un bip para apagar el UPS.
- 2 Interfaz LED o Panel LCD:** proporciona el estado de la corriente del UPS.
  - Para obtener una descripción detallada de los LEDs, consulte “LED(s) Indicador(es)” en la **Operación Básica para Modelos con una sección de Interfaz LED**.
  - Para obtener una descripción detallada del Panel LCD, refiérase a “Panel LCD” en la **Operación Básica para Modelos con un Panel LCD**.
- 3 Tomacorriente “Maestro”:** El dispositivo conectado al Tomacorrientes Maestro respaldado por batería determina el estado de la energía de encendido y apagado de los tomacorrientes designados “CONTROLLED BY MASTER OUTLET” (5 y 7) siempre que la función de ahorro de energía ECO esté activada.

Para obtener más información, consulte “Ahorro de Energía ECO” en la sección de **Instalación Rápida**.

# Características del UPS

- 4 Tomacorrientes Respaldados por Batería y Protegidos contra Sobretensiones:** Estos tomacorrientes soportados por baterías ofrecen respaldo completo por batería del UPS y supresión de sobretensiones para componentes vitales del sistema que requieren energía continua.
- 5 Tomacorrientes soportados por el UPS “CONTROLLED BY MASTER OUTLET” (disponibles sólo en algunos modelos):** Estos tomacorrientes soportados por batería tienen la opción de control de encendido y apagado automático en respuesta al estado de consumo de energía del dispositivo conectado al tomacorrientes maestro cuando la función ECO está activada. Para obtener más información, consulte “Ahorro de Energía ECO” en la sección de **Instalación Rápida**.
- 6 Tomacorrientes Protegidos contra Sobretensiones:** Estos tomacorrientes ofrecen únicamente supresión de sobretensiones premium. Los dispositivos conectados a estos tomacorrientes no recibirán respaldo por batería durante fallas del suministro eléctrico.
- 7 Tomacorrientes con Protección Sólo contra Sobretensiones “CONTROLLED BY MASTER OUTLET”:** Estos tomacorrientes soportados por batería tienen la opción de control de encendido y apagado automático en respuesta al estado de consumo de energía del dispositivo conectado al tomacorrientes maestro cuando la función ECO está activada. Para obtener más información, consulte “Ahorro de Energía ECO” en la sección de **Instalación Rápida**.
- 8 Puerto de Comunicación USB:** Este puerto puede conectar su UPS a cualquier computadora para guardar los archivos automáticamente y apagar el equipo sin supervisión en el caso de una falla de energía. Úselo con el Software PowerAlert® de Tripp Lite (disponible como descarga gratuita en [tripplite.com](http://tripplite.com)) y el cable USB incluido con su UPS. Esta conexión es opcional, el sistema UPS funcionará correctamente sin ella.  
*Nota: Este Sistema UPS provee compatibilidad de comunicación básica con la mayoría de las aplicaciones integradas de administración de energía de Windows®, Macintosh® y Linux®.*
- 9 Conectores con Protección de Línea Tel / DSL / Ethernet:** Estos conectores protegen al equipo contra sobretensiones en una sola línea telefónica o conexión de red. Conectar su equipo a estos conectores es opcional, el sistema UPS funcionará correctamente sin esta conexión.  
*Nota: No es compatible con aplicaciones PoE [Power over Ethernet].*
- 10 Puerto de Carga USB (disponible sólo en algunos modelos):** Los puertos de carga USB entregan hasta 5V CD de corriente máxima de carga para uso con la mayoría de los teléfonos celulares, smartphones, reproductores MP3 y otros dispositivos que sean compatibles con cargadores USB.  
*Nota: Este puerto está destinado solo para carga USB. La comunicación por USB no es accesible a través de este puerto. La carga por USB sólo está disponible cuando el UPS está encendido y recibiendo energía de la red pública.*
- 11 Breaker Restaurable del Circuito de Entrada:** Protege su circuito eléctrico contra la sobrecorriente originada en la carga del UPS. Si este breaker se dispara, retire algo de la carga y entonces reestablézcalo presionandolo.

# Reemplazo de la Batería

Bajo condiciones normales, la batería original de su UPS durará varios años. El reemplazo de la batería debe llevarse a cabo únicamente por personal calificado. Para información adicional, refiérase a “Advertencias de la Batería” en las **Instrucciones de Seguridad Importantes**.

Modelo	Tipo de Reemplazo de Batería
ECO350UPS	DJW12-2.8
ECO550UPS	SHR3.6-12
ECO650UPSM	SHR3.6-12
ECO750UPS	12VCD, 7Ah
ECO850LCD	12VCD, 7Ah
ECO900UPSM	12VCD, 7Ah
ECO900LCDU2	12VCD, 7Ah

Para más información sobre compatibilidad de reemplazo y pedidos, visite [tripplite.com/products/battery-finder](http://tripplite.com/products/battery-finder).



**El reemplazo de la batería debe hacerse usando el mismo tipo y cantidad de baterías: 12V CD selladas de plomo ácido, 6 celdas y en conformidad con UL 1989.**



**PRECAUCIÓN: Riesgo de energía. Antes de reemplazar las baterías, retírese toda la joyería conductora tal como cadenas, relojes de pulsera y anillos. La alta energía pasando a través de materiales conductores puede causar quemaduras graves.**



**PRECAUCIÓN: Si se reemplaza la batería con un tipo de batería incorrecto, existe un riesgo de explosión. Deseche las baterías usadas de acuerdo a las instrucciones.**

# Almacenamiento y Servicio

## Almacenamiento

Para evitar la descarga de la batería, deberá apagar y desconectar del UPS todo el equipo conectado. Presione el botón de encendido junto a los LEDs DE ESTADO y desconecte la unidad de la alimentación de CA. Su UPS se apagará totalmente (desactivado) y estará listo para almacenamiento. Si planea guardar el sistema UPS por un período prolongado, recargue completamente las baterías del UPS cada tres meses. Enchufe el UPS en un tomacorriente activo de CA y permita que las baterías se recarguen de 4 a 6 horas. Si usted deja sus baterías del UPS descargadas por un período prolongado, sufrirán una pérdida permanente de capacidad.

## Servicio

Están disponibles una gran variedad de Programas de Garantía Extendida y Servicio En Sitio por parte de Tripp Lite. Para información adicional acerca del servicio, visite [tripplite.com/support](http://tripplite.com/support).

Antes de regresar su producto para servicio, siga estos pasos:

1. Revise los procedimientos de instalación y operación en este manual para asegurar que el problema de servicio no se origina por una mala lectura de las instrucciones.
2. Si el problema persiste, no se ponga en contacto ni regrese el producto al distribuidor. En vez de ello, visite [tripplite.com/support](http://tripplite.com/support).
3. Si el problema requiere servicio, visite [tripplite.com/support](http://tripplite.com/support) y haga click en la liga Product Returns. Desde aquí usted puede solicitar un número de Autorización de Devolución de Mercancía (RMA) que se requiere para servicio. Esta sencilla forma en línea le solicitará los números de modelo y serie de su unidad junto con otra información general del comprador. El número de RMA junto con las instrucciones de embarque le serán enviadas por correo electrónico. Cualquier daño (directo, indirecto, especial o consecuente) al producto incurrido durante el embarque a Tripp Lite o un Centro de Servicio Autorizado de Tripp Lite no está cubierto bajo la garantía. Los productos embarcados a Tripp Lite o un Centro de Servicio Autorizado de Tripp Lite deben tener cargos de transporte prepagados. Marque el número de RMA en el exterior del empaque. Si el producto está dentro del período de garantía, adjunte una copia de su recibo de venta. Regrese el producto para servicio usando un transportista asegurado a la dirección que se le proporcionó cuando solicitó la RMA.

# Especificaciones

Modelo	ECO350UPS	ECO550UPS	ECO650UPSM	ECO750UPS	ECO850LCD	ECO900LCDU2	ECO900UPSM
Voltaje nominal y rango de de entrada	120V~, 95-145V	120V~, 95-145V	120V~, 95-145V	120V~, 95-145V	120V~, 95-145V	120V~, 95-145V	120V~, 95-145V
Frecuencia nominal de entrada y tolerancia	50/60 Hz (+/- 5 Hz)	50/60 Hz (+/- 5 Hz)	50/60 Hz (+/- 5 Hz)	50/60 Hz (+/- 5 Hz)	50/60 Hz (+/- 5 Hz)	50/60 Hz (+/- 5 Hz)	50/60 Hz (+/- 5 Hz)
Voltaje nominal de salida	120V~ en modo en línea y 120V~ en modo de respaldo por batería	120V~ en modo en línea y 120V~ en modo de respaldo por batería	120V~ en modo en línea y 120V~ en modo de respaldo por batería	120V~ en modo en línea y 120V~ en modo de respaldo por batería	120V~ en modo en línea y 120V~ en modo de respaldo por batería	120V~ en modo en línea y 120V~ en modo de respaldo por batería	120V~ en modo en línea y 120V~ en modo de respaldo por batería
Frecuencia nominal de salida	50/60 Hz (+/- 0.5 Hz)	50/60 Hz (+/- 0.5 Hz)	50/60 Hz (+/- 0.5 Hz)	50/60 Hz (+/- 0.5 Hz)	50/60 Hz (+/- 0.5 Hz)	50/60 Hz (+/- 0.5 Hz)	50/60 Hz (+/- 0.5 Hz)

# Especificaciones

Model	ECO350UPS	ECO550UPS	ECO650USPM	ECO750UPS	ECO850LCD	ECO900LCDU2	ECO900USPM
Regulación del voltaje de salida en modo de línea	120 V~ (+6 % / -12 %)	120 V~ (+6 % / -12 %)	120 V~ (+6 % / -12 %)	120 V~ (+6 % / -12 %)	120 V~ (+6 % / -12 %)	120 V~ (+6 % / -12 %)	120 V~ (+6 % / -12 %)
Regulación del voltaje de salida en modo de respaldo por batería	120 V~ (+/-10 %)	120 V~ (+/-10 %)	120 V~ (+/-10 %)	120 V~ (+/-10 %)	120 V~ (+/-10 %)	120 V~ (+/-10 %)	120 V~ (+/-10 %)
Potencia nominal de salida en W / VA	210W / 350VA	300W / 500VA	325W / 650VA	450W / 750VA	425W / 850VA	480W / 900VA	480W / 900VA
Forma de onda de voltaje de salida	Sinusoidal en modo en línea y casi-sinusoidal (PWM) en modo de respaldo por batería	Sinusoidal en modo en línea y casi-sinusoidal (PWM) en modo de respaldo por batería	Sinusoidal en modo en línea y casi-sinusoidal (PWM) en modo de respaldo por batería	Sinusoidal en modo en línea y casi-sinusoidal (PWM) en modo de respaldo por batería	Sinusoidal en modo en línea y casi-sinusoidal (PWM) en modo de respaldo por batería	Sinusoidal en modo en línea y casi-sinusoidal (PWM) en modo de respaldo por batería	Sinusoidal en modo en línea y casi-sinusoidal (PWM) en modo de respaldo por batería
Corriente máxima de salida @ PF.	2.9A @ 120V~	4.6A @ 120V~	5.4A @ 120V~	6.3A @ 120V~	7.1A @ 120V~	7.5A @ 120V~	7.5A @ 120V~
Eficiencia con carga nominal	95 %	95 %	95 %	95 %	95 %	95 %	95 %
Altitud máxima de operación al 100 % de la potencia nominal	2000 m	2000 m	2000 m	2000 m	2000 m	2000 m	2000 m
Capacidad de Sobrecarga en Línea	110 % +/- 10 % @ 5 minutos	110 % +/- 10 % @ 5 minutos	110 % +/- 10 % @ 5 minutos	110 % +/- 10 % @ 5 minutos	110 % +/- 10 % @ 5 minutos	110 % +/- 10 % @ 5 minutos	110 % +/- 10 % @ 5 minutos
Capacidad de sobrecarga en modo de respaldo por batería	110 % +/- 10 % @ 5 segundos	110 % +/- 10 % @ 5 segundos	110 % +/- 10 % @ 5 segundos	110 % +/- 10 % @ 5 segundos	110 % +/- 10 % @ 5 segundos	110 % +/- 10 % @ 5 segundos	110 % +/- 10 % @ 5 segundos
Limitación de corriente	5A @ 120V~	10A @ 120V~	6A @ 120V~	10A @ 120V~	10A @ 120V~	10A @ 120V~	10A @ 120V~
Tiempo de autonomía a plena carga	2 minutos @ 210W	1.2 Minutos @ 300W	1 minuto @ 325W	2 minutos @ 450W	2.3 minutos @ 425W	1.7 minutos @ 480W	1.7 minutos @ 480W
Tiempo de recarga de la batería	6.5 horas al 90 %	6.5 horas al 90 %	6.5 horas al 90 %	6.5 horas al 90 %	8 horas al 90 %	8 horas al 90 %	8 horas al 90 %
Tiempo de transferencia	6 milisegundos típico (10 milisegundos máx.)	6 milisegundos típico (10 milisegundos máx.)	6 milisegundos típico (10 milisegundos máx.)	6 milisegundos típico (10 milisegundos máx.)	6 milisegundos típico (10 milisegundos máx.)	6 milisegundos típico (10 milisegundos máx.)	6 milisegundos típico (10 milisegundos máx.)
Tomacorrientes	3x tomacorrientes 5-15R con respaldo por batería y supresión de sobretensiones; 3x tomacorrientes 5-15R solo para sobretensiones	5x tomacorrientes 5-15R con respaldo por batería y supresión de sobretensiones; 5x tomacorrientes 5-15R solo para sobretensiones	5x tomacorrientes 5-15R con respaldo por batería y supresión de sobretensiones; 5x tomacorrientes 5-15R solo para sobretensiones	6x tomacorrientes 5-15R con respaldo por batería y supresión de sobretensiones; 6x tomacorrientes 5-15R solo para sobretensiones	6x tomacorrientes 5-15R con respaldo por batería y supresión de sobretensiones; 6x tomacorrientes 5-15R solo para sobretensiones	6x tomacorrientes 5-15R con respaldo por batería y supresión de sobretensiones; 6x tomacorrientes 5-15R solo para sobretensiones	6x tomacorrientes 5-15R con respaldo por batería y supresión de sobretensiones; 6x tomacorrientes 5-15R solo para sobretensiones
Corriente máxima de entrada	5A @ 120V~	10A @ 120V~	6A @ 120V~	10A @ 120V~	10A @ 120V~	10A @ 120V~	10A @ 120V~

# Cumplimiento de las Regulaciones

## Aviso de Parte 68 de FCC (Estados Unidos Solamente)

Si su protección de Fax / Módem causa daño a la red telefónica, la compañía telefónica puede discontinuar temporalmente su servicio. Si es posible, le notificarán por anticipado. Si el aviso anticipado no es práctico, usted será notificado tan pronto sea posible. Usted será notificado de su derecho a llevar una reclamación a la FCC. Su compañía telefónica puede hacer cambios en sus instalaciones, equipo, operaciones o procedimientos que pudieran afectar la operación adecuada de su equipo. Si lo hace, usted tendrá una notificación anticipada

# Cumplimiento de las Regulaciones

para darle oportunidad para mantener un servicio ininterrumpido. Si experimenta problemas con la protección de Fax / Módem de este equipo, por favor visite [tripplite.com/support](http://tripplite.com/support) para información de reparación/garantía. La compañía telefónica puede solicitarle desconectar el equipo de la red hasta que se haya corregido el problema o usted esté seguro que el equipo no está funcionando mal. No hay reparaciones que pueda realizar el usuario a la protección de Fax / Módem. Este equipo no puede usarse en servicios por monedas proporcionados por la compañía telefónica. La conexión a líneas de partes está sujeta a las tarifas estatales. (Para información, póngase en contacto con la comisión de servicios públicos o comisión para corporaciones.)

## Aviso de FCC, Clase B

Este dispositivo cumple con la parte 15 de los Reglamentos de la FCC. La operación está sujeta a las siguientes dos condiciones: (1) Este dispositivo no puede causar interferencia perjudicial, y (2) este dispositivo debe aceptar cualquier interferencia recibida, incluso aquella que pudiera causar un funcionamiento no deseado.

**Nota:** este equipo ha sido evaluado, y se comprobó que está dentro de los límites para un dispositivo digital Clase B, de acuerdo con la parte 15 de los Reglamentos de FCC. Estos límites están diseñados para proporcionar una protección razonable contra interferencia perjudicial en una instalación residencial. Este equipo genera, usa y puede radiar energía de radiofrecuencia y, si no se instala y usa de acuerdo con las instrucciones, puede causar interferencia dañina a las radiocomunicaciones. However, there is no guarantee that interference will not occur in a particular installation. Si este equipo causa interferencia dañina a la recepción de radio o televisión, que puede determinarse apagando y encendiendo el equipo, se recomienda al usuario intentar corregir la interferencia por una o más de las siguientes medidas:

- Reoriente o reubique la antena receptora.
- Aumente la separación entre el equipo y el receptor.
- Conecte el equipo a un tomacorriente de un circuito diferente al cual está conectado el receptor.
- Si necesita ayuda, consulte al distribuidor o a un técnico de radio/TV experimentado.

Cualquier cambio o modificación en este equipo que no esté aprobado expresamente por Tripp Lite puede invalidar la autoridad del usuario para operarlo.

## Limitaciones de Conexión de Equipos (modelos con el sello de Industria de Canadá en Canadá solamente)

**AVISO:** La etiqueta de la Industria de Canadá identifica al equipo certificado. Esta certificación significa que el equipo cumple con los requisitos de protección de red de telecomunicaciones, operación y de seguridad según lo previsto en el(los) documento(s) correspondiente(s) de Requisitos Técnicos de Equipos de Terminal. El Departamento no garantiza que el equipo funcionará a entera satisfacción del usuario. Antes de instalar este equipo, los usuarios deben asegurarse que está permitido conectarse a las instalaciones de la empresa de telecomunicaciones local. El equipo debe también instalarse usando un método aceptable de conexión. El cliente debe ser consciente que el cumplimiento de las condiciones anteriores no puede prevenir la degradación del servicio en algunas situaciones.

Las reparaciones a equipo certificado deben ser coordinadas por un representante designado por el proveedor. Reparaciones o alteraciones hechas por el usuario a este equipo, o mal funcionamiento del equipo, pueden provocar que la empresa de telecomunicaciones solicite al usuario desconectar el equipo.

Los usuarios deben asegurarse para su propia protección de que las conexiones de puesta a tierra de la energía de la red pública, líneas telefónicas y sistema de tubería interna metálica de agua, están conectadas entre sí. Esta precaución puede ser particularmente importante en las zonas rurales. **PRECAUCIÓN:** Los usuarios no deben intentar realizar conexiones ellos mismos, pero deben comunicarse con la autoridad de inspección eléctrica apropiada o electricista, según corresponda.

## Números de Identificación de Conformidad Regulatoria

Para el propósito de certificaciones e identificación de conformidad con las normas, su producto Tripp Lite ha recibido un número de serie exclusivo. El número de serie se puede encontrar en la etiqueta de placa de identificación, junto con todas las marcas e información requeridas de aprobación. Al solicitar información de conformidad para este producto, refiérase siempre al número de serie. El número de serie no debe confundirse con el nombre de la marca o el número de modelo del producto.

Tripp Lite tiene una política de mejora continua. Las especificaciones del producto están sujetas a cambios sin previo aviso.

**Notas sobre la etiqueta**  
**Dos símbolos se usan en la etiqueta:**  
**V~ : Voltaje de CA**  
**V== : Voltaje de CD**



1111 W. 35th Street, Chicago, IL 60609 EE UU • [tripplite.com/support](http://tripplite.com/support)

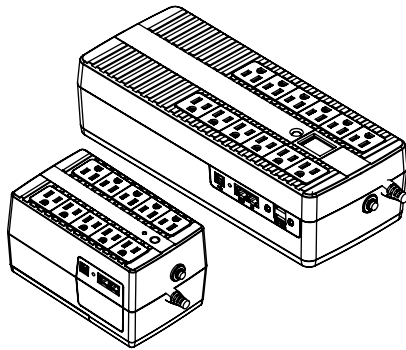


# Manuel de l'utilisateur

## Onduleurs

Modèles :

**EC0350UPS, EC0550UPS, EC0650UPSM, EC0750UPS,  
EC0850LCD, EC0900LCDU2, EC0900UPSM**  
(numéros de série : AG-0306, AG-0310, AG-0313, AG-0315,  
AG-0316, AG-0318, AG-0319)



English 1 • Español 21

# TRIPP-LITE



1111 W. 35th Street, Chicago, IL 60609 USA • [triplite.com/support](http://triplite.com/support)

Droits d'auteur © 2020 Tripp Lite. Tous droits réservés.

# Table des matières

<b>Consignes de sécurité importantes</b>	<b>43</b>
<b>Installation rapide (tous les modèles)</b>	<b>45</b>
<b>Fonctionnement de base pour les modèles avec une interface à DEL (ECO350UPS, ECO550UPS, ECO650UPSM, ECO750UPS, ECO900UPSM)</b>	<b>48</b>
<b>Fonctionnement de base pour les modèles avec un panneau ACL (ECO850LCD, ECO900LCDU2)</b>	<b>51</b>
<b>Caractéristiques de l'onduleur</b>	<b>55</b>
<b>Remplacement des batteries</b>	<b>57</b>
<b>Entreposage et entretien</b>	<b>58</b>
<b>Caractéristiques techniques</b>	<b>58</b>
<b>Conformité réglementaire</b>	<b>59</b>

# Consignes de sécurité importantes

## CONSERVER CES INSTRUCTIONS

Ce manuel contient des instructions et des avertissements qui doivent être respectés pendant l'installation, l'utilisation, l'entretien et l'entreposage de l'onduleur et des batteries. Tout manquement à ces avertissements peut affecter la garantie.

## Mises en garde concernant le placement de l'onduleur

- Installer l'onduleur à l'intérieur, à l'écart de l'humidité ou de la chaleur, des contaminants conducteurs, de la poussière ou de la lumière directe du soleil.
- Pour un rendement optimal, maintenir la température intérieure entre 0 °C et 40 °C (32 °F et 104 °F).
- Laisser suffisamment de place autour de l'onduleur pour avoir une bonne ventilation.
- Montage optionnel : l'onduleur peut être monté de façon sécuritaire dans une position horizontale ou verticale. Pour le montage, utiliser deux vis (non fournies) pour fixer les trous de serrure à l'arrière de l'onduleur à une surface plane.

## Avertissements liés au branchement de l'onduleur

- Brancher l'onduleur directement dans une prise de courant CA correctement mise à la masse. Ne pas brancher l'onduleur sur lui-même, cela aura pour effet d'endommager l'onduleur.
- Ne pas modifier la fiche de l'onduleur et ne pas utiliser d'adaptateur qui éliminerait la mise à la terre de l'onduleur.
- Ne pas utiliser de rallonges électriques pour brancher l'onduleur à une prise de courant CA.
- Si l'onduleur est alimenté à partir d'une génératrice CA entraînée par un moteur, la génératrice doit fournir une tension de sortie propre, filtrée et adaptée aux équipements informatiques.
- La prise de courant du secteur alimentant l'onduleur devrait être facilement accessible et située près de l'appareil.

## Avertissements liés au branchement de l'équipement



**Installer conformément aux normes ANSI/NFPA 70 de la National Electrical Code et au code canadien de l'électricité, partie I, C22.1.**

**Une protection de secours contre les courts-circuits et une protection contre les surintensités sont fournies par les installations du bâtiment.**

**Pour réduire les risques d'incendie, raccorder uniquement à un circuit fourni avec une protection contre les surcharges du circuit de dérivation maximum de 20 A conformément au National Electrical Code (NEC), ANSI/NFPA 70 ou au code local de l'électricité, partie I, C22.1. La fiche sur le cordon d'alimentation est conçue pour servir de dispositif de déconnexion. S'assurer que la prise de courant est installée à proximité de l'équipement et est facilement accessible.**

**L'onduleur est conçu pour être utilisé sur un système de distribution de l'alimentation TN.**

# Consignes de sécurité importantes

- Il n'est pas recommandé d'utiliser cet équipement pour des appareils de survie où une défaillance de cet équipement peut, selon toute vraisemblance, entraîner la défaillance de l'appareil de maintien de la vie ou affecter de façon majeure sa sécurité ou son efficacité.
- Ne pas brancher de parasurtenseurs ni de rallonges sur la sortie de l'onduleur. Cela peut endommager l'onduleur et affecter les garanties de l'onduleur et du parasurtenseur.
- Brancher le système d'alimentation sans coupure (UPS) à une prise de courant qui est dûment protégée contre les courants excessifs, les courts-circuits et les défauts à la terre, faisant partie de l'installation électrique du bâtiment.

## Avertissements portant sur les batteries

- Les batteries peuvent présenter un risque de décharge électrique et de brûlures causées par les courants élevés des courts-circuits. Prendre les précautions appropriées. Il n'existe aucune pièce réparable par l'utilisateur à l'intérieur de l'onduleur. Ne pas ouvrir l'onduleur sauf pour remplacer la batterie. Ne pas ouvrir les batteries. Ne pas créer de court-circuit ou de pont entre les bornes de la batterie avec un objet quelconque. Les substances dégagées sont dangereuses pour la peau et les yeux. Cela peut être toxique. Débrancher et éteindre l'onduleur avant de remplacer le ventilateur. Utiliser des outils ayant des poignées isolées. Le remplacement de la batterie devrait être effectué uniquement par le personnel de service autorisé en utilisant des batteries du même type portant le même numéro (batterie au plomb-acide scellée). Ne pas jeter les batteries dans le feu. Tripp Lite offre une gamme complète de cartouches de batterie de remplacement pour onduleur (R.B.C.). Visiter Tripp Lite sur le Web à [tripplite.com/products/battery-finder](http://tripplite.com/products/battery-finder) pour trouver la batterie de remplacement qui correspond à l'onduleur.



**MISE EN GARDE : Une batterie peut présenter un risque de décharge électrique et un courant élevé du court-circuit. Tout contact avec une partie d'une batterie mise à la terre pourrait causer une décharge électrique. Les précautions suivantes doivent être observées lorsque l'on manipule les batteries :**

- Enlever les montres, les bagues ou tout autre objet métallique.
- Utiliser des outils ayant des poignées isolées.
- Porter des gants en caoutchouc.
- Ne pas déposer d'outils ou de pièces métalliques sur les batteries.
- Débrancher la source de chargement et la charge avant d'installer ou d'effectuer l'entretien de la batterie.
- Retirer les mises à la terre de la batterie pendant l'installation et l'entretien pour réduire la probabilité de décharge.
- Retirer la connexion à la masse s'il est déterminé qu'une pièce de la batterie est mise à la masse.

## Recyclage de l'onduleur et des batteries



**Pb**

Les produits Tripp Lite utilisent des batteries au plomb-acide scellées qui sont hautement recyclables.

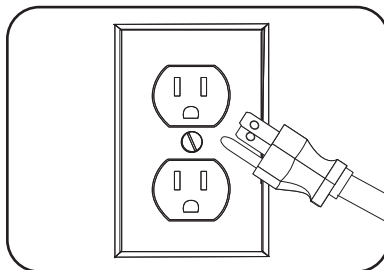
Appeler Tripp Lite au 1 773 869-1234 ou visiter [tripplite.com/support/recycling-program](http://tripplite.com/support/recycling-program) pour de plus amples informations sur le recyclage des batteries ou tout autre produit Tripp Lite. Se reporter aux codes locaux pour les exigences en ce qui a trait à l'élimination.

# Installation rapide (tous les modèles)

## ÉTAPE 1 : Brancher l'onduleur à une prise de courant correctement mise à la terre.

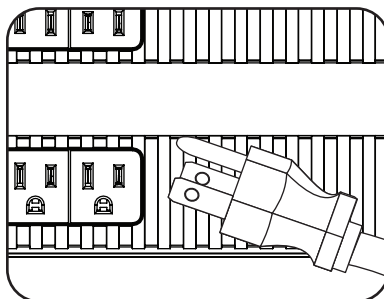
Après avoir branché l'onduleur dans une prise murale, les prises de surtension seulement commenceront à faire circuler du courant.

**Remarque :** L'onduleur ne se mettra pas automatiquement en marche à l'application de la tension du secteur.



## ÉTAPE 2 : Brancher l'équipement à l'onduleur.

Il existe deux ensembles de prises de courant sur l'onduleur. Les prises identifiées SURGE ONLY (surtension seulement) ⚡ ne fournissent pas l'alimentation de secours des batteries lors des pannes d'électricité. Brancher les périphériques informatiques ordinaires comme les imprimantes, les numériseurs et les autres accessoires ne nécessitant pas l'alimentation de secours des batteries à ces sorties. Les prises identifiées BATTERY BACKUP (alimentation de secours à partir des batteries) 🔋 offrent le soutien des batteries de l'onduleur lors des coupures de courant. Brancher l'équipement informatique vital à ces sorties.



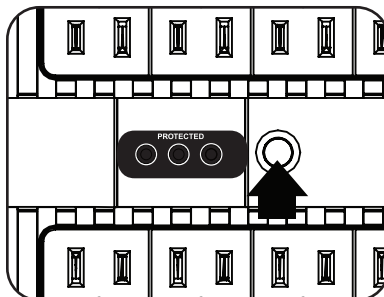
L'onduleur n'est conçu que pour prendre en charge l'équipement électronique. L'onduleur deviendra surchargé si la valeur VA nominale totale en volts-ampères de tous les équipements branchés aux prises identifiées BATTERY BACKUP (batterie de secours) / 🔋 excède la capacité de sortie de l'onduleur. Pour trouver la valeur VA nominale de l'équipement, consulter leur plaque signalétique. Si les équipements indiquent une valeur en ampères, multiplier le nombre en ampères par 120 pour déterminer la valeur VA. Par exemple :  $1 \text{ A} \times 120 = 120 \text{ VA}$ . En cas d'incertitude par rapport à la surcharge des prises de courant, débrancher une partie de l'équipement.

## ÉTAPE 3 : Mettre l'onduleur sous tension.

Appuyer sur le commutateur d'alimentation à côté du voyant à DEL d'état ou de l'écran ACL et le maintenir enfoncé jusqu'à ce que l'alarme commence à se faire entendre, puis le relâcher.

L'alarme de l'onduleur se fera entendre à deux reprises tandis que les prises des batteries de secours commencent à faire circuler du courant et que le chargeur de l'onduleur s'engage au besoin pour garder les batteries complètement chargées.

L'onduleur est maintenant prêt à protéger l'équipement connecté aux prises des batteries de secours contre les pannes de courant, les chutes de tension, les surtensions et les coupures de courant.



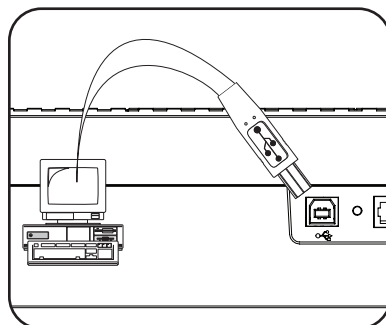
# Installation rapide (tous les modèles)

En cas de problèmes liés aux voyants à DEL/écran ACL au moment de mettre l'onduleur sous tension, consulter le tableau ci-dessous :

Modèles	Problème	Solution (tous les modèles)
ECO350UPS, ECO550UPS, ECO650UPSM (1 voyant à DEL)	Le voyant à DEL PROTECT-ED (protégé) ne s'allume pas lorsque l'onduleur est commuté sous tension (ON).	1. S'assurer que l'onduleur est branché dans une sortie CA sous tension. 2. Appuyer sur le bouton d'alimentation et le maintenir enfoncé pour mettre l'onduleur en marche. Un bip devrait se faire entendre au démarrage de l'onduleur.
ECO750UPS, ECO900UPSM (3 voyants à DEL)	Le voyant à DEL PROTECT-ED (protégé) ne s'allume pas lorsque l'onduleur est commuté sous tension (ON).	3. Si l'onduleur ne démarre toujours pas, communiquer avec le soutien technique de Tripp Lite pour obtenir de l'aide.
ECO850LCD, ECO900LCDU2 (panneau ACL)	Le panneau ACL ne s'allume pas pendant 20 secondes lorsque l'onduleur est mis sous tension pour la première fois.	

## Installation optionnelle

Les deux modèles d'onduleur incluent des ports de communication USB et des prises de protection contre les surtensions pour téléphone/DSL/Ethernet (non compatibles avec les applications nécessitant l'alimentation électrique par câble - PoE). Ces connexions sont optionnelles, car l'onduleur fonctionnera correctement sans ces connexions.



## Économie d'énergie ECO

La fonctionnalité d'économie d'énergie ECO permet à l'onduleur d'économiser de l'énergie en mettant automatiquement hors tension les prises désignées lorsque l'ordinateur ou autre équipement connecté à la prise identifiée « MASTER » (maîtresse) est hors tension ou en mode standby (attente). La fonctionnalité ECO est désactivée par défaut.

### Pour activer l'économie d'énergie ECO :

- 1 Raccorder des appareils non essentiels qui seront automatiquement mis hors tension (OFF) et sous tension (ON) aux prises identifiées « CONTROLLED BY MASTER OUTLET » (contrôlée par la prise maîtresse). S'assurer que tous les appareils raccordés à ces prises peuvent être mis automatiquement hors tension sans interrompre la connexion à Internet, au réseau local et aux autres services essentiels.

## Installation rapide (tous les modèles)

- 2 Sélectionner le dispositif depuis la configuration de l'équipement, comme un ordinateur de bureau, un récepteur AV ou tout autre composant vital, puis raccorder son cordon d'alimentation à la prise identifiée « MASTER » (maîtresse) sur l'onduleur. Cet appareil maître servira de déclencheur pour automatiquement mettre sous tension tout l'équipement connecté aux prises identifiées « CONTROLLED BY MASTER OUTLET » (contrôlée par la prise maîtresse) lorsque l'appareil connecté à la prise identifiée « MASTER » (maîtresse) est sous tension. Lorsque l'appareil connecté à la prise identifiée « MASTER » est mis hors tension ou passe en mode veille de faible puissance, les appareils connectés aux prises identifiées « CONTROLLED BY MASTER OUTLET » (contrôlée par la prise maîtresse) seront automatiquement mis hors tension.
- 3 Pour activer le mode d'économie d'énergie ECO, double-cliquer sur le bouton d'alimentation tandis que l'onduleur est sous tension et qu'il reçoit du courant du secteur. L'onduleur confirme que le mode ECO est activé via le voyant à DEL ou l'interface ACL :
  - Sur les modèles à un seul voyant à DEL, le voyant à DEL vert clignote toutes les 10 secondes.
  - Sur les modèles à 3 voyants à DEL, le voyant à DEL vert à gauche du PROTECTED LED (voyant à DEL protégé) clignotera toutes les 10 secondes.
  - Sur les modèles dotés d'une interface ACL, l'écran indiquera ECO lorsque l'écran d'état ECO est activé.
- 4 Une fois le mode d'économie d'énergie ECO activé, l'onduleur mettra automatiquement hors tension (OFF) tous les appareils connectés aux prises identifiées « CONTROLLED BY MASTER OUTLET » (contrôlée par la prise maîtresse) environ 3 minutes après que l'appareil connecté à la prise identifiée « MASTER » est mis hors tension ou passe en mode veille de faible puissance. (Le délai de 3 minutes permet de s'assurer que les prises contrôlées demeurent sous tension pendant une réinitialisation.) Les dispositifs connectés aux prises identifiées « CONTROLLED BY MASTER OUTLET » (contrôlée par la prise maîtresse) sont automatiquement mis sous tension (ON) lorsque l'appareil connecté à la prise identifiée « MASTER » (maîtresse) est remis sous tension.

**Remarque :** Une charge minimum est requise sur la prise identifiée « MASTER » (maîtresse) pour que les prises contrôlées soient mises sous tension comme indiqué dans le tableau ci-dessous.

Modèle	Charge requise
ECO350UPS	15 W
ECO550UPS	21 W
ECO650UPSM	23 W
ECO750UPS	23 W
ECO850LCD	21 W
ECO900UPSM	24 W
ECO900LCDU2	24 W

## Installation rapide (tous les modèles)

### Pour désactiver l'économie d'énergie ECO :

Double-cliquer sur le bouton d'alimentation de l'onduleur tandis que l'onduleur est sous tension et qu'il reçoit du courant du secteur. L'onduleur confirme que le mode ECO est désactivé (OFF) via le voyant à DEL ou l'interface ACL :

- Sur les modèles à un seul voyant à DEL, le voyant à DEL vert sera allumé en continu.
- Sur les modèles à 3 voyants à DEL, le voyant à DEL vert à gauche du PROTECTED LED (voyant à DEL protégé) sera allumé en continu.
- Sur les modèles dotés d'une interface ACL, l'écran indiquera ECO lorsque l'écran d'état ECO est éteint.

**Remarque :** Les prises identifiées « CONTROLLED BY MASTER OUTLET » (contrôlée par la prise maîtresse) présentes sur le groupe de prises identifiées « SURGE ONLY » (surtension seulement) fournissent une suppression de surtension et de bruits seulement, elles ne fournissent pas d'alimentation de secours à partir des batteries. Pendant une panne de courant, ces prises seront hors tension, que la fonctionnalité d'économie d'énergie ECO soit activée ou non. Certains modèles incluent une prise identifiée « CONTROLLED BY MASTER OUTLET » (contrôlée par la prise maîtresse) prise en charge par l'alimentation de secours à partir des batteries.

## Fonctionnement de base pour les modèles avec une interface à DEL (ECO350UPS, ECO550UPS, ECO650UPSM, ECO750UPS, ECO900UPSM)

### Commutation sous/hors tension (ON/OFF) de l'onduleur

- **Brancher l'onduleur dans une prise sous tension mise à la masse :** les prises identifiées SURGE ONLY (surtension seulement) commenceront à faire circuler du courant.
- **Brancher l'équipement à l'onduleur :** L'onduleur deviendra surchargé si la valeur VA nominale totale en volts-ampères de tous les équipements branchés aux sorties BATTERY BACKUP (batterie de secours) excède la capacité de sortie de l'onduleur. Pour trouver la valeur VA nominale de l'équipement, consulter leur plaque signalétique. Si les équipements indiquent une valeur en ampères, multiplier le nombre en ampères par 120 pour déterminer la valeur VA. Par exemple :  $1 \text{ A} \times 120 = 120 \text{ VA}$ .
- **Pour mettre l'onduleur sous tension :** appuyer sur le bouton d'alimentation à côté des voyants à DEL STATUS (état) et le maintenir enfoncé. L'alarme de l'onduleur se fera brièvement entendre une fois et le voyant à DEL vert du côté gauche s'allumera. Les prises de courant identifiées BATTERY BACKUP (batterie de secours) commenceront à fournir de l'alimentation électrique CA. L'onduleur rechargera automatiquement les batteries internes au besoin. Une fois en marche (ON), l'onduleur est prêt à protéger l'équipement branché contre les pannes d'électricité, les chutes de tension, les surtensions et les pointes aléatoires.
- **Pour mettre l'onduleur hors tension :** appuyer sur le bouton d'alimentation à côté des voyants à DEL STATUS (état) et le maintenir enfoncé.

**Remarque :** L'onduleur fonctionnera correctement lors du démarrage initial; cependant, la durée de fonctionnement maximale de la batterie de l'appareil ne sera accessible qu'après avoir été chargée pendant 24 heures.



# Fonctionnement de base

pour les modèles avec une interface à DEL (EC0350UPS, EC0550UPS, EC0650UPSM, EC0750UPS, EC0900UPSM)

## 1 voyant à DEL

(modèles EC0350UPS, EC0550UPS, EC0650UPSM)



Description	Voyant à DEL « PROTECTED » (protégé)	Alarme
Mode en ligne	Allumé (clignote toutes les 3 secondes si la fonctionnalité d'économie d'énergie ECO est activée)	Éteint
Mode batterie	Allumé, clignote toutes les 10 secondes	Éteint
Batterie faible	Allumé, clignote toutes les 1 seconde	Se fait entendre toutes les 1 seconde
Alerte de surcharge mode en ligne*	Allumé	Se fait entendre toutes les 0,5 seconde
Anomalie due à une surcharge mode en ligne*	Éteint	Se fait entendre continuellement
Alerte de surcharge - mode batterie**	Clignote	Se fait entendre toutes les 0,5 seconde
Anomalie due à une surcharge - mode batterie**	Éteint	L'onduleur se mettra hors tension.
Remplacer la batterie	Allumé	Se fait entendre toutes les 1 minute
Défaillance	Éteint	Se fait entendre continuellement

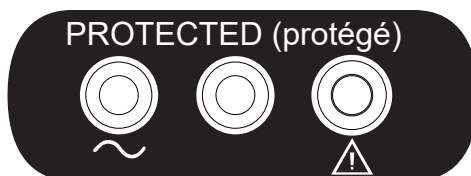
\*Condition d'alerte de surcharge - mode en ligne\* - 110 %  $\pm$  10 %, passe à une anomalie après 5 minutes; anomalie due à une surcharge - 120 %  $\pm$  10 %, passe à une anomalie immédiatement.

\*\*Condition d'alerte de surcharge - mode batterie - 110 %  $\pm$  10 %, se met hors tension après 5 secondes; condition d'anomalie due à une surcharge - mode batterie - 120 %  $\pm$  10 %, se met immédiatement hors tension.

# Fonctionnement de base

pour les modèles avec une interface à DEL (EC0350UPS, EC0550UPS, EC0650UPSM, EC0750UPS, EC0900UPSM)

## 3 voyants à DEL (modèles EC0750UPS, EC0900UPSM)



Description	Voyant à DEL vert 1 ~	Voyant à DEL vert 2	Voyant à DEL rouge ⚠	Alarme
Mode en ligne	On (sous tension)	On (sous tension)	Off (hors tension)	Off (hors tension)
Mode batterie	Off (hors tension)	On (sous tension) (clignote OFF (hors tension) toutes les 10 secondes)	Off (hors tension)	Off (hors tension)
Batterie faible	Éteint	Allumé (clignote toutes les 1 seconde)	Allumé	Se fait entendre toutes les 1 seconde
Alerte de surcharge mode en ligne*	On (sous tension)	On (sous tension)	Éteint	Se fait entendre toutes les 0,5 seconde
Anomalie due à une surcharge mode en ligne*	Off (hors tension)	Off (hors tension)	On (sous tension)	Se fait entendre continuellement
Alerte de surcharge - mode batterie**	Off (hors tension)	Clignote	Éteint	Se fait entendre toutes les 0,5 seconde
Anomalie due à une surcharge - mode batterie**	Off (hors tension)	Off (hors tension)	Off (hors tension)	Off (hors tension)
Remplacer la batterie	On (sous tension)	Allumé	Clignote toutes les 1 minute	Se fait entendre toutes les 1 minute
Défaillance	Off (hors tension)	Off (hors tension)	On (sous tension)	Se fait entendre continuellement

Condition d'alerte de surcharge - mode en ligne\* - 110 % ± 10 %, passe à une anomalie après 5 minutes; anomalie due à une surcharge - 120 % ± 10 %, passe à une anomalie immédiatement.

\*\*Condition d'alerte de surcharge - mode batterie - 110 % ± 10 %, se met hors tension après 5 secondes; condition d'anomalie due à une surcharge - mode batterie - 120 % ± 10 %, se met immédiatement hors tension.

# Fonctionnement de base

pour les modèles avec un panneau ACL (EC0850LCD, EC0900LCDU2)

## Commutation sous/hors tension (ON/OFF) de l'onduleur

- **Brancher l'onduleur dans une prise sous tension mise à la terre.**

Le panneau ACL s'allumera et le chargeur de batteries s'activera au besoin. Les prises de courant identifiées SURGE PROTECTED (protégées contre les surtensions) commenceront à faire circuler du courant.

- **Brancher l'équipement à l'onduleur :** L'onduleur deviendra surchargé si la valeur VA nominale totale en volts-ampères (VA) de tous les équipements branchés aux sorties BATTERY/SURGE PROTECTED (batterie/protégées contre les surtensions) excède la capacité de sortie de l'onduleur. Pour trouver la valeur VA nominale des équipements, consulter leur plaque signalétique. Si les équipements indiquent une valeur en ampères, multiplier le nombre en ampères par 120 pour déterminer la valeur VA. Par exemple :  
 $1 \text{ A} \times 120 = 120 \text{ VA}$ .

- **Mettre l'onduleur sous tension :** appuyer sur le bouton d'alimentation et le maintenir enfoncé. Un timbre d'alarme se fera entendre à deux reprises. Les prises de courant identifiées BATTERY/SURGE PROTECTED (batterie/protégées contre les surtensions) commenceront à fournir de l'alimentation électrique CA. L'onduleur rechargera automatiquement les batteries internes au besoin. Une fois en marche (ON), l'onduleur est prêt à protéger l'équipement branché contre les pannes d'électricité, les chutes de tension, les surtensions et les pointes aléatoires.

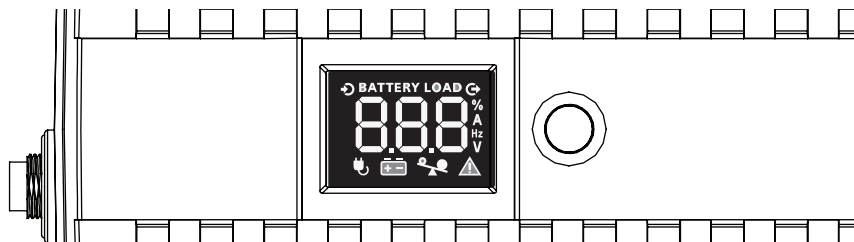
- **Mettre l'onduleur hors tension :** appuyer sur le bouton d'alimentation et le maintenir enfoncé jusqu'à ce qu'un bip se fasse entendre, puis le relâcher.

***Remarque :** L'onduleur fonctionnera correctement lors du démarrage initial; cependant, la durée de fonctionnement maximale de la batterie de l'appareil ne sera accessible qu'après avoir été chargée pendant 24 heures.*

# Fonctionnement de base

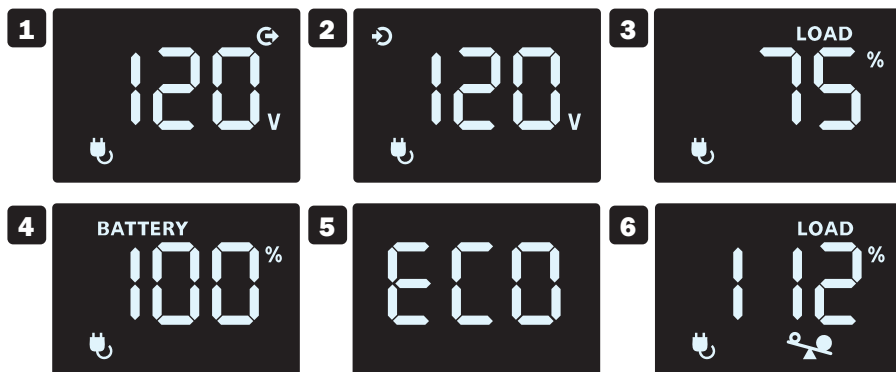
pour les modèles avec un panneau ACL (EC0850LCD, EC0900LCDU2)

## Panneau ACL



## Données de l'ACL du mode alimentation CA en ligne

L'écran tactile ACL offre 6 écrans d'information sur les alimentations de l'onduleur et du site lorsque l'onduleur fonctionne dans le mode d'alimentation en ligne. Écrans 1 à 5 (tension de sortie, tension d'entrée, % de charge, charge des batteries et état marche/arrêt du mode ECO) peuvent être consultés en mode d'alimentation secteur. Appuyer sur l'ACL du panneau avant pour passer à l'écran suivant. L'écran 6 (surcharge) est affiché automatiquement uniquement lorsque le niveau de charge de l'onduleur est supérieur à 100 %.



- 1 Tension de sortie
- 2 Tension d'entrée
- 3 % de charge
- 4 Niveau de charge des batteries
- 5 Mise sous/hors tension (on/off) du mode ECO
- 6 Surcharge

**Remarque :** L'écran ACL de l'écran tactile s'éteint automatiquement en mode alimentation secteur 20 secondes après la dernière fois où il a été touché. Pour réactiver l'écran ACL pour 20 secondes supplémentaires, toucher l'écran.

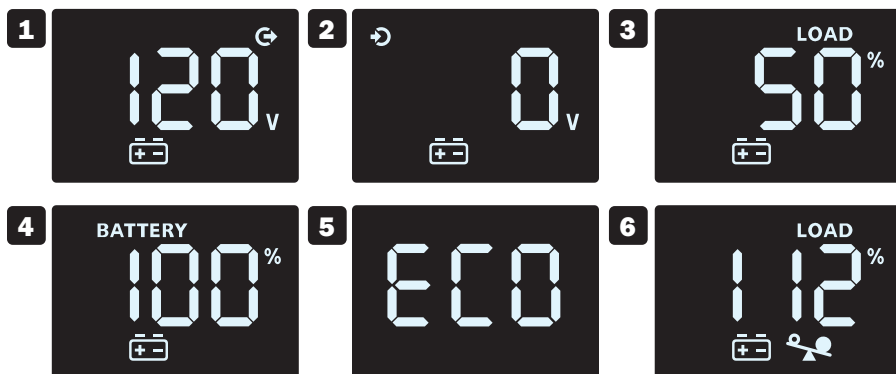
# Fonctionnement de base

pour les modèles avec un panneau ACL (EC0850LCD, EC0900LCDU2)

Mode de fonctionnement		Description de l'alarme
Mode batterie	Normal	Aucune alarme
	Batterie faible	Se fait entendre toutes les secondes
	Surcharge	Se fait entendre toutes les 0,5 seconde
Mode en ligne	Normal	Aucune alarme
	Surcharge	Se fait entendre toutes les 0,5 seconde
	Remplacer la batterie	Se fait entendre toutes les minutes
Mode d'anomalie		Se fait entendre continuellement

## Données de l'ACL dans le mode d'alimentation par batteries

L'écran tactile ACL offre 6 écrans d'information sur les alimentations de l'onduleur et du site lorsque l'onduleur fonctionne dans le mode d'alimentation par batteries. Écrans 1 à 5 (tension de sortie, tension d'entrée, % de charge, charge des batteries et état marche/arrêt du mode ECO) peuvent être consultés en mode d'alimentation secteur. Appuyer sur l'ACL du panneau avant pour passer à l'écran suivant. L'écran 6 (surcharge) est affiché automatiquement uniquement lorsque le niveau de charge de l'onduleur est supérieur à 100 %.



- 1 Tension de sortie
- 2 Tension d'entrée
- 3 % de charge
- 4 Niveau de charge des batteries
- 5 Mise sous/hors tension (on/off) du mode ECO
- 6 Surcharge

**Remarque :** L'écran ACL de l'écran tactile demeurera allumé (ON) en continu pendant le fonctionnement en mode batterie.

# Fonctionnement de base

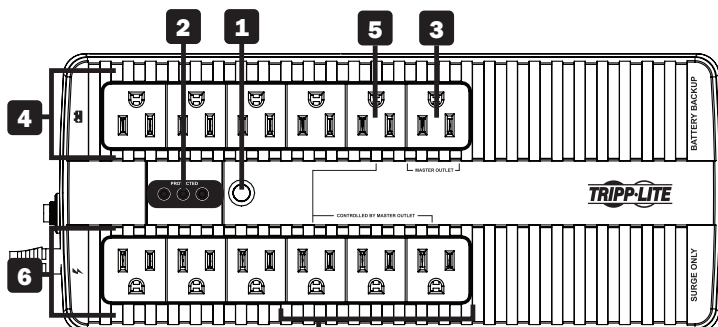
pour les modèles avec un panneau ACL (EC0850LCD, EC0900LCD2U)

## Écrans de défaillances critiques

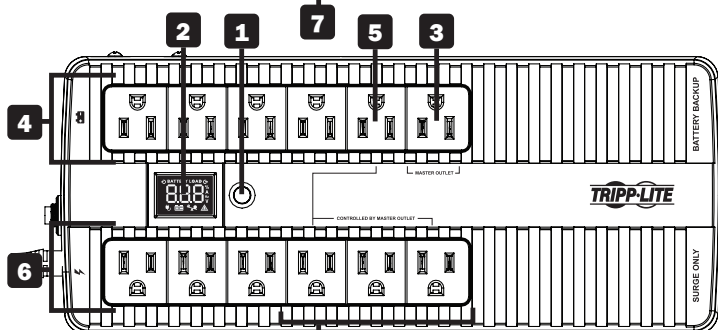


Code d'erreur	Anomalie critique	Solution
F01	COURT-CIRCUIT AU NIVEAU DE LA SORTIE	Débrancher la ou les charges des sorties de l'onduleur. Mettre l'onduleur hors tension, puis contacter le soutien technique de Tripp Lite pour obtenir de l'aide.
F02	OVERLOAD (surcharge)	Éliminer la charge en excès, vérifier l'indicateur de charge sur l'écran ACL pour l'état de la charge.
F03	OVERCHARGE (surcharge)	Mettre l'appareil hors tension, débrancher l'onduleur, puis contacter le soutien technique de Tripp Lite pour obtenir de l'aide.
F04	BATTERY LOW VOLTAGE (basse tension de la batterie)	Charger l'onduleur pendant 24 heures. Si le problème persiste, remplacer la batterie, puis contacter le soutien technique de Tripp Lite.
F05	BATTERY MODE HIGH OUTPUT (rendement élevé du mode batterie)	Couper l'alimentation de l'onduleur, puis contacter le soutien technique de Tripp Lite pour obtenir de l'aide.

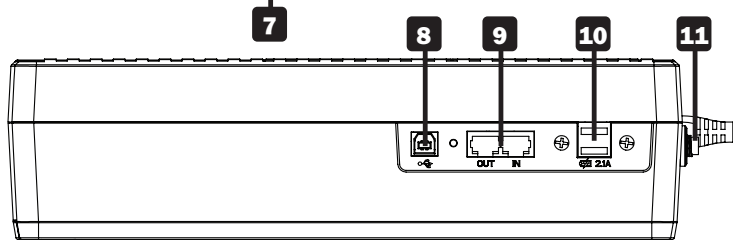
# Caractéristiques de l'onduleur



Exemple de modèle avec une interface ACL. Le modèle peut différer de celui illustré.



Exemple de modèle avec un panneau ACL. Le modèle peut différer de celui illustré.



Tous les modèles. Le modèle peut différer de celui illustré.

- 1 Bouton ON/OFF (marche/arrêt) :** lorsque l'onduleur est sous tension, appuyer sur ce bouton puis le relâcher après le bip pour mettre l'onduleur hors tension.
- 2 Interface à DEL/panneau ACL :** fournit l'état du courant de l'onduleur.
  - Pour une description détaillée des voyants à DEL, consulter « Voyants à DEL » dans la section **Fonctionnement de base pour les modèles avec une interface à DEL.**
  - Pour une description détaillée du panneau ACL, consulter « Panneau ACL » dans la section **Fonctionnement de base pour les modèles avec un panneau ACL.**
- 3 Prise identifiée « Master » (maîtresse) :** le dispositif connecté à la prise maîtresse prise en charge par l'alimentation par batteries détermine l'état d'alimentation OFF/ON (marche/arrêt) des prises identifiées « Controlled by Master Outlet » (contrôlée par la prise maîtresse) désignées (5 et 7) lorsque la fonctionnalité d'économie d'énergie ECO est activée.

Pour de plus amples informations, consulter « Économie d'énergie ECO » dans la section **Installation rapide.**

# Caractéristiques de l'onduleur

- 4 Prises alimentées par les batteries de secours/protégées contre les surtensions** : ces prises prises en charge par les batteries offrent une alimentation de secours par les batteries de l'onduleur et une suppression des surcharges pour les composants vitaux du système nécessitant une alimentation continue.
- 5 Prises identifiées « Controlled By Master Outlet » (contrôlée par la prise maîtresse) prises en charge par l'onduleur (offertes sur certains modèles seulement)** : cette prise prise en charge par les batteries offre l'option d'un contrôle ON/OFF (marche/arrêt) automatique de l'alimentation en réponse à l'état de la consommation d'énergie de l'appareil connecté à la prise maîtresse lorsque la fonctionnalité ECO est activée. Pour de plus amples informations, consulter « Économie d'énergie ECO » dans la section **Installation rapide**.
- 6 Prises protégées contre les surtensions** : ces prises offrent une suppression de surtension de haute qualité seulement. Les appareils connectés à ces prises ne recevront pas d'alimentation de secours des batteries pendant une panne de courant.
- 7 Prises surcharge seulement identifiées « Controlled By Master Outlet » (contrôlée par la prise maîtresse)** : ces prises offrent l'option d'un contrôle ON/OFF (marche/arrêt) automatique de l'alimentation en réponse à la consommation d'énergie de l'appareil connecté à la prise maîtresse lorsque la fonctionnalité ECO est activée. Pour de plus amples informations, consulter « Économie d'énergie ECO » dans la section **Installation rapide**.
- 8 Port de communication USB** : ce port peut brancher l'onduleur à n'importe quel ordinateur pour la sauvegarde automatique de fichiers et la commutation hors tension sans surveillance dans le cas d'une coupure de courant. Utiliser avec le logiciel PowerAlert® de Tripp Lite (offert GRATUITEMENT en téléchargement à tripp-lite.com) et un câble USB inclus avec l'onduleur. Ce raccordement est facultatif, l'onduleur fonctionnera correctement sans ce branchement.  
*Remarque* : Cet onduleur offre la compatibilité de base avec la plupart des applications de gestion d'alimentation intégrées Windows®, Macintosh® et Linux®.
- 9 Prises de protection de ligne Tel/DSL/Ethernet** : ces prises protègent contre les surtensions une ligne téléphonique ou une connexion de réseau individuelle de l'équipement. Le raccordement de l'équipement à ces prises est facultatif, l'onduleur fonctionnera correctement sans ce branchement.  
*Remarque* : Non compatible pour les applications nécessitant l'alimentation électrique par câble Ethernet (PoE).
- 10 Ports de chargement USB (offert sur certains modèles seulement)** : les ports de chargement USB fournissent 5 V CC de courant de charge à utiliser avec la plupart des téléphones cellulaires, des téléphones intelligents, des lecteurs MP3 et d'autres appareils qui sont compatibles avec les chargeurs USB.  
*Remarque* : Ce port est destiné uniquement au chargement USB. La communication USB n'est pas accessible par le biais de ce port. Le chargement USB n'est disponible que lorsque l'onduleur est activé et qu'il reçoit la tension du secteur.
- 11 Disjoncteur réarmable du circuit d'entrée** : protège le circuit électrique des surintensités causées par la charge de l'onduleur. Si ce disjoncteur se déclenche, enlever une partie de la charge, puis réarmer le disjoncteur en l'enfonçant en place.



# Remplacement des batteries

Dans des conditions normales, les batteries originales de l'onduleur dureront plusieurs années. Le remplacement des batteries devrait être confié uniquement à un personnel qualifié. Se référer aux « Avertissements portant sur les batteries » de la section **Consignes de sécurité importantes** pour de plus amples informations.

Modèle	Type de batteries de remplacement
ECO350UPS	DJW12-2.8
ECO550UPS	SHR3.6-12
ECO650UPSM	SHR3.6-12
ECO750UPS	12 V CC, 7 Ah
ECO850LCD	12 V CC, 7 Ah
ECO900UPSM	12 V CC, 7 Ah
ECO900LCDU2	12 V CC, 7 Ah

Pour plus de renseignements relatifs à la compatibilité et pour commander, visiter [tripplite.com/products/battery-finder](http://tripplite.com/products/battery-finder).



**Le remplacement des batteries doit être effectué en utilisant le même nombre et le même type de batteries : au plomb-acide scellées de 12 V CC, 6 éléments et conformes à la norme UL 1989.**



**MISE EN GARDE : Risque de décharge électrique. Avant de remplacer les batteries, enlever les bijoux conducteurs comme les chaînes, les montres et les bagues. De la haute énergie circulant à travers des matériaux conducteurs peut causer des brûlures graves.**



**MISE EN GARDE : Risque d'explosion si la batterie est remplacée par un type de batterie incorrect. Éliminer les batteries usagées conformément aux directives.**

# Entreposage et entretien

## Entreposage

Pour éviter la décharge des batteries, tout l'équipement branché devrait être commuté hors tension (OFF) et débranché de l'onduleur. Appuyer sur le bouton d'alimentation à côté des voyants à DEL STATUS (état) et le maintenir enfoncé, puis débrancher l'appareil de l'alimentation CA. L'onduleur sera complètement hors tension (désactivé) et prêt pour l'entreposage. Si l'onduleur est entreposé pour une période de temps prolongée, recharger complètement les batteries de l'onduleur une fois tous les trois mois. Brancher l'onduleur dans une prise CA sous tension, puis permettre aux batteries de se charger pendant 4 à 6 heures. Si les batteries de l'onduleur sont laissées déchargées pendant une période de temps prolongée, cela nuira à leur capacité de façon permanente.

## Entretien

Une variété de programmes de garantie prolongée et de service d'entretien sont également offerts par Tripp Lite. Pour obtenir plus de renseignements sur le service, visiter [tripplite.com/support](http://tripplite.com/support).

Avant de retourner le produit pour la réparation, procéder comme suit :

1. Passer en revue les procédures d'installation et de fonctionnement dans ce manuel afin de vous assurer que le problème ne provient pas d'une mauvaise interprétation des instructions.
2. Si le problème persiste, ne communiquez avec votre fournisseur et ne lui renvoyez pas le produit. Visitez plutôt [tripplite.com/support](http://tripplite.com/support).
3. Si le problème nécessite une réparation, visiter [tripplite.com/support](http://tripplite.com/support) et cliquez sur le lien de retours de produit. À partir de ce point, il est possible de demander une autorisation de retour de matériel (RMA), qui est requise pour le service. Ce simple formulaire en ligne demandera le modèle de l'appareil et le numéro de série, ainsi que d'autres informations générales. Le numéro d'autorisation du retour du matériel ainsi que les instructions pour l'expédition seront envoyés par courrier électronique. Les dommages (directs, indirects, particuliers ou consécutifs) encourus par le produit lors du transport à Tripp Lite ou à un service autorisé Tripp Lite ne sont pas couverts par la garantie. Les frais liés au transport des produits expédiés à Tripp Lite ou à un centre de service autorisé Tripp Lite doivent être entièrement payés d'avance. Inscrire le numéro de RMA à l'extérieur de l'emballage. Si le produit est dans sa période de garantie, joindre une copie du reçu de caisse. Retourner le produit pour réparation par un transporteur assuré à l'adresse fournie lors de la demande de « RMA ».

# Caractéristiques techniques

Model	ECO350UPS	ECO550UPS	ECO650UPSM	ECO750UPS	ECO850LCD	ECO900LCDU2	ECO900UPSM
Tension nominale et plage d'entrée	120 V~, 95 à 145 V	120 V~, 95 à 145 V	120 V~, 95 à 145 V	120 V~, 95 à 145 V	120 V~, 95 à 145 V	120 V~, 95 à 145 V	120 V~, 95 à 145 V
Fréquence d'entrée nominale et tolérance	50/60 Hz (+/-5 Hz)	50/60 Hz (+/-5 Hz)	50/60 Hz (+/-5 Hz)	50/60 Hz (+/-5 Hz)	50/60 Hz (+/-5 Hz)	50/60 Hz (+/-5 Hz)	50/60 Hz (+/-5 Hz)
Tension de sortie nominale	120 V~ en mode en ligne et 120V ~ en mode batterie	120 V~ en mode en ligne et 120V ~ en mode batterie	120 V~ en mode en ligne et 120V ~ en mode batterie	120 V~ en mode en ligne et 120V ~ en mode batterie	120 V~ en mode en ligne et 120V ~ en mode batterie	120 V~ en mode en ligne et 120V ~ en mode batterie	120 V~ en mode en ligne et 120V ~ en mode batterie
Fréquence de sortie nominale	50/60 Hz (+/- 0,5 Hz)	50/60 Hz (+/- 0,5 Hz)	50/60 Hz (+/- 0,5 Hz)	50/60 Hz (+/- 0,5 Hz)	50/60 Hz (+/- 0,5 Hz)	50/60 Hz (+/- 0,5 Hz)	50/60 Hz (+/- 0,5 Hz)

# Caractéristiques techniques

ECO350UPS	ECO550UPS	ECO650UPS	ECO750UPS	ECO850LCD	ECO900LCDU2	ECO900UPSM	ECO900UPSM
Régulation de tension de sortie en mode en ligne	120 V~ (+6 %/-12 %)	120 V~ (+6 %/-12 %)	120 V~ (+6 %/-12 %)	120 V~ (+6 %/-12 %)	120 V~ (+6 %/-12 %)	120 V~ (+6 %/-12 %)	120 V~ (+6 %/-12 %)
Régulation de tension de sortie en mode batterie	120 V~ (+/-10 %)	120 V~ (+/-10 %)	120 V~ (+/-10 %)	120 V~ (+/-10 %)	120 V~ (+/-10 %)	120 V~ (+/-10 %)	120 V~ (+/-10 %)
Puissance nominale de sortie en W/VA	210 W/350 VA	300 W/500 VA	325 W/650 VA	450 W/750 VA	425 W/850 VA	480 W/900 VA	480 W/900 VA
Formes d'onde de tension de sortie	Sinusoidale en mode en ligne et quasi-sinusoidale (à modulation de largeur d'impulsion) en mode batterie	Sinusoidale en mode en ligne et quasi-sinusoidale (à modulation de largeur d'impulsion) en mode batterie	Sinusoidale en mode en ligne et quasi-sinusoidale (à modulation de largeur d'impulsion) en mode batterie	Sinusoidale en mode en ligne et quasi-sinusoidale (à modulation de largeur d'impulsion) en mode batterie	Sinusoidale en mode en ligne et quasi-sinusoidale (à modulation de largeur d'impulsion) en mode batterie	Sinusoidale en mode en ligne et quasi-sinusoidale (à modulation de largeur d'impulsion) en mode batterie	Sinusoidale en mode en ligne et quasi-sinusoidale (à modulation de largeur d'impulsion) en mode batterie
Intensité maximale de sortie @ PF.	2,9 A @ 120 V~	4,6 A @ 120 V~	5,4 A @ 120 V~	6,3 A @ 120 V~	7,1 A @ 120 V~	7,5 A @ 120 V~	7,5 A @ 120 V~
Efficacité avec la charge nominale	95%	95%	95%	95%	95%	95%	95%
Altitude de fonctionnement maximum à 100 % de la puissance nominale	2 000 m	2 000 m	2 000 m	2 000 m	2 000 m	2 000 m	2 000 m
Capacité de surcharge en ligne	110 % +/- 10 % @ 5 minutes	110 % +/- 10 % @ 5 minutes	110 % +/- 10 % @ 5 minutes	110 % +/- 10 % @ 5 minutes	110 % +/- 10 % @ 5 minutes	110 % +/- 10 % @ 5 minutes	110 % +/- 10 % @ 5 minutes
Capacité de surcharge en mode batterie	110 % +/- 10 % @ 5 secondes	110 % +/- 10 % @ 5 secondes	110 % +/- 10 % @ 5 secondes	110 % +/- 10 % @ 5 secondes	110 % +/- 10 % @ 5 secondes	110 % +/- 10 % @ 5 secondes	110 % +/- 10 % @ 5 secondes
Limitation de courant	5 A @ 120 V~	10 A @ 120 V~	6 A @ 120 V~	10 A @ 120 V~	10 A @ 120 V~	10 A @ 120 V~	10 A @ 120 V~
Durée d'autonomie à pleine charge	2 minutes @ 210 W	1,2 minutes @ 300 W	1 minute @ 325 W	2 minutes @ 450 W	2,3 minutes @ 425 W	1,7 minutes @ 480 W	1,7 minutes @ 480 W
Temps de recharge de la batterie	6,5 heures à 90 %	6,5 heures à 90 %	6,5 heures à 90 %	6,5 heures à 90 %	8 heures à 90 %	8 heures à 90 %	8 heures à 90 %
Temps de transfert	6 millisecondes typiques (10 millisecondes max.)	6 millisecondes typiques (10 millisecondes max.)	6 millisecondes typiques (10 millisecondes max.)	6 millisecondes typiques (10 millisecondes max.)	6 millisecondes typiques (10 millisecondes max.)	6 millisecondes typiques (10 millisecondes max.)	6 millisecondes typiques (10 millisecondes max.)
Prises	3x prises 5-15R avec batterie de secours et surtension; 3x sorties 5-15R surtension seulement	5x prises 5-15R avec batterie de secours et surtension; 5x sorties 5-15R surtension seulement	5x prises 5-15R avec batterie de secours et surtension; 5x sorties 5-15R surtension seulement	6x prises 5-15R avec batterie de secours et surtension; 6x sorties 5-15R surtension seulement	6x prises 5-15R avec batterie de secours et surtension; 6x sorties 5-15R surtension seulement	6x prises 5-15R avec batterie de secours et surtension; 6x sorties 5-15R surtension seulement	6x prises 5-15R avec batterie de secours et surtension; 6x sorties 5-15R surtension seulement
Courant d'entrée maximum	5 A @ 120 V~	10 A @ 120 V~	6 A @ 120 V~	10 A @ 120 V~	10 A @ 120 V~	10 A @ 120 V~	10 A @ 120 V~

## Conformité réglementaire

### Avis de la FCC, section 68 (États-Unis seulement)

Si le modem ou le télécopieur de votre système de protection endommage le réseau téléphonique, la compagnie de téléphone peut discontinuer temporairement ses services. Si possible, elle vous avisera à l'avance. Si le préavis n'est pas possible, vous serez avisé le plus rapidement possible. Vous serez avisé de votre droit de porter plainte auprès de la FCC. Votre compagnie de téléphone peut apporter des changements à ses installations, exploitation

# Conformité réglementaire

ou procédures pouvant affecter le fonctionnement normal de votre équipement. Si tel est le cas, vous serez avisé à l'avance pour vous fournir l'occasion de maintenir un service ininterrompu. Si vous avez des troubles avec le système de protection du modem ou du télécopieur de cet équipement, veuillez visiter [tripplite.com/support](http://tripplite.com/support) pour obtenir des renseignements sur la réparation et la garantie. La compagnie de téléphone peut vous demander de débrancher cet équipement du réseau jusqu'à ce que le problème soit corrigé ou que vous soyez convaincu que l'équipement fonctionne correctement. Aucune réparation ne peut être effectuée par le client au système de protection du modem ou du télécopieur. Cet équipement ne peut pas être utilisé sur le service payant offert par la compagnie de téléphone. La connexion aux lignes partagées est assujettie aux tarifs de l'État. (Contacter la Public Utility Commission ou la Corporation Commission de l'État pour obtenir plus de renseignements.)

## Avis de la FCC, classe B

Cet appareil est conforme à la partie 15 des règles de la FCC. Son fonctionnement est sujet aux deux conditions suivantes : (1) cet appareil peut causer des interférences nuisibles et (2) cet appareil doit accepter toutes les interférences reçues, y compris les interférences qui peuvent causer un fonctionnement indésirable.

**Remarque :** Cet équipement a été testé et trouvé conforme aux restrictions applicables à un appareil numérique de classe B, conformément à la partie 15 des règlements de la FCC. Ces restrictions sont conçues pour assurer une protection raisonnable contre les perturbations nuisibles dans une installation résidentielle. Ce matériel génère, utilise et peut émettre de l'énergie radiofréquence et, s'il n'est pas installé et utilisé conformément aux instructions, peut causer des perturbations nuisibles aux communications radio. Il n'y a toutefois aucune garantie que les interférences ne se produiront pas dans une installation particulière. Si cet équipement cause des interférences nuisibles à la réception des signaux radio et de télévision, ce qui peut être déterminé en fermant et en ouvrant (ON/OFF) l'équipement, nous recommandons à l'utilisateur de tenter d'éliminer les interférences en prenant une ou plusieurs des mesures suivantes :

- Réorienter ou repositionner l'antenne réceptrice.
- Augmenter la distance entre l'équipement et le récepteur.
- Brancher l'équipement à une prise sur un circuit différent de celui sur lequel le récepteur est branché.
- Consulter le fournisseur ou un technicien radio/télévision pour obtenir de l'aide.

Tout changement ou toute modification apportés à ce matériel sans l'autorisation expresse de Tripp Lite peuvent annuler le droit de l'utilisateur d'utiliser cet équipement.

## Restrictions portant sur les accessoires de l'équipement (modèles avec une vignette d'Industrie Canada au Canada seulement)

**AVIS :** La vignette d'Industrie Canada identifie l'équipement certifié. Cette certification signifie que l'équipement répond aux exigences en matière de protection, de fonctionnement et de sécurité du réseau de télécommunications tel que prescrit dans le ou les documents des exigences techniques de l'équipement terminal approprié/appropriés. Le Ministère ne garantit pas que l'équipement fonctionnera à la satisfaction de l'utilisateur. Avant d'installer cet équipement, les utilisateurs devraient s'assurer que l'équipement est autorisé à être branché aux installations de la compagnie de télécommunications locale. De plus, l'équipement doit être installé en utilisant une méthode de connexion acceptable. Le client devrait être au courant que la conformité aux conditions qui précèdent peut ne pas prévenir la dégradation du service dans certaines situations.

Les réparations effectuées à l'équipement certifié devraient être coordonnées par un représentant désigné par le fournisseur. Toute réparation ou modification effectuée par l'utilisateur à cet équipement, ou pour corriger les pannes de l'équipement, peut avoir comme résultat que la compagnie de télécommunications demande à l'utilisateur de débrancher l'équipement.

Les utilisateurs devraient s'assurer pour leur propre protection que les connexions électriques à la terre de l'alimentation du secteur, des lignes téléphoniques et le système de tuyauterie métallique interne pour l'eau, s'il en existe, soient bien reliés ensemble. Cette précaution peut être particulièrement importante dans les secteurs ruraux. Mise en garde : Les utilisateurs ne devraient pas tenter d'effectuer les connexions eux-mêmes; ils devraient contacter l'agence d'inspection électrique ou un électricien selon le cas.

## Numéros d'identification à la conformité réglementaire

À des fins de certification de conformité réglementaire et d'identification, un numéro de série unique a été attribué au produit Tripp Lite. Le numéro de série, ainsi que toutes les marques d'homologation et les renseignements requis, se trouvent sur la plaque signalétique du produit. Lorsque des renseignements sont demandés concernant la conformité de ce produit, toujours se reporter au numéro de série. Le numéro de série ne doit pas être confondu avec le nom de la marque ou le numéro de modèle du produit.

La politique de Tripp Lite en est une d'amélioration continue. Les caractéristiques techniques sont modifiables sans préavis.

## Remarque au sujet de l'étiquetage Deux symboles sont utilisés sur l'étiquette :

- V~ : tension CA
- V $\overline{\text{---}}$  : tension CC



1111 W. 35th Street, Chicago, IL 60609 USA • [tripplite.com/support](http://tripplite.com/support)