

NEC Express5800/T110i-S System Configuration Guide



Introduction

This document contains product and configuration information that will enable you to configure your system. The guide will ensure fast and proper configuration of your NEC Express5800 server.

Contents

- TECHNICAL SPECIFICATION 3**
 - Specification 3
- EXTERNAL VIEWS 6**
 - Front View 6
 - Rear Views 7
 - Dimensions (mm) 8
- CONFIGURATION DIAGRAM 12**
 - Expansion Slots 13
- SERVER CONFIGURATION 14**
 - 1 Base Models 14**
 - 2 Processor 14**
 - 3 Memory 14**
 - 4 Internal Hard Disk Drives 16**
 - 4.1 RAID Configuration 16
 - 4.2 Required Components for RAID Configuration 18
 - 4.3 Supported Drives 25
 - 5 Internal Optical Drive 28**
 - 6 Flash FDD 28**
 - 7 Internal RDX Drives 29**
 - 8 PCI Card 30**
 - 8.1 Network Interface Controller 30
 - 8.2 SAS Controller 31
 - 8.3 Graphics Accelerator 31
 - 8.4 Serial Port Adapter 31
 - 9 Other Add-in Components 32**
 - 9.1 Internal Battery Kit 32
 - 9.2 Trusted Platform Module Kit 32
 - 9.3 Internal Flash Memory 32
 - 9.4 High Temperature Support Option 33
 - 9.5 Input Devices 33
 - 10 Add-on Components 33**
 - 10.1 Server Management License 33
 - 10.1 Dust Proof Kit 34
 - 10.2 Tamper Proof Power Button Covers 34
 - 10.3 Rack Conversion Kit 34
 - 10.4 Medium and Cartridge 34
- REFERENCES 35**
 - Boot Mode Setting 35
 - Server Management 36
 - OS Support Matrix for PCI Cards and Embedded Controllers 37
 - Supported PCI cards and Installable Slots 37
 - Secure Boot Mode 40
 - Copyright Notice and Liability Disclaimer 41
- REVISION HISTORY 42**

Technical Specification

Specification

(1 / 2)

Model		T110i-S			
Part Number		N8100-2535F, N8100-2536F			
Processor	Type	Intel® Pentium® processor G4560	Intel® Xeon® processor E3-1220 v6	Intel® Xeon® processor E3-1225 v6	Intel® Xeon® processor E3-1230 v6
	Clock speed	3.50 GHz	3.00 GHz	3.30 GHz	3.50 GHz
	Number of Processors	1			
	Cache	3 MB	8MB		
	Cores and Threads	2C / 4T	4C / 4T		4C / 8T
Chipset		Intel® C236 Chipset			
Memory	Type	DDR4-2400 ECC Unbuffered DIMM			
	Standard Capacity	0 GB			
	Maximum Capacity	64 GB (4 x 16 GB)			
Internal Storage	Standard Capacity	0 GB			
	Maximum Capacity	28.8 TB (2 x 12 TB + 2x 2.4TB)			
	Disk Controller	SATA : 6 Gb/s (Integrated) SATA/SAS : 6/12 Gb/s (Optional)			
	RAID	SATA : RAID 0/1/10 (Standard ¹) SATA/SAS : RAID 0/1/5/6/10/50/60 (Optional)			
	Hot Plug	Supported with hot plug drive bay			
	Optical Disk Drive	Optional			
	3.5-inch Media Bays	2			
Expansion Slots		Total: 4 slots available 1 PCIe 3.0 x16 (x16 connector) 1 PCIe 3.0 x4 (x8 connector) 1 PCIe 3.0 x2 (x8 connector) 1 PCIe 3.0 x1 (x8 connector)			
Video	Controller (VRAM)	Integrated in Server Management Controller (32MB)			
	Resolution / Color	1600 x 1200 / 16.7M ²			
Interfaces		1 VGA (15-pin mini D-sub, 1 rear) 1 to 2 Serial (9-pin mini D-sub, RS232-C, 1 to 2 rear) 6 USB 3.0 (2 front, 4 rear) (plus 1 internal USB 3.0) 2 1000BASE-T LAN connector (RJ-45, 2 rear) 1 1000BASE-T LAN connector for Management (RJ-45, 1 rear)			
Server Management		EXPRESSSCOPE Engine 3			
System Fan		Standard			
Power Supply		1 x 250 Watt 80 PLUS® Platinum certified non-hot plug PSU 2 x 460 Watt 80 PLUS® Platinum certified Hot plug PSU 100-240 VAC ± 10% 50 / 60 Hz ± 3 Hz			
Power Consumption	(Max. Config, Idling)	98 VA / 97 Watt	95 VA / 94 Watt	98 VA / 97 Watt	96 VA / 95 Watt
	(Max. Config, Operating)	152 VA / 151 Watt	178 VA / 176 Watt	192 VA / 191 Watt	229 VA / 228 Watt
Acoustic Noise (Sound Pressure Level) ³	Minimum Config.	27.2 dB			
	Maximum Config.	32.7 dB			
Dimensions (W x D x H)		Standard Bezel: 98.0 x 386.5 x 341.0 mm / 3.9 x 15.2 x 13.4 in Dust Proof Bezel: 98.0 x 415.7 x 341.0 mm / 3.9 x 16.3 x 13.4 in			
Weight (Minimum / Maximum)		8 kg / 11.5 kg, 17.64 lbs. / 25.35 lbs.			
Temperature, Relative Humidity (non-condensing)		Operating: 5° to 40° C / 41° to 104° F (Standard) or 5° to 48° C / 41° to 118° F (Optional), 10 to 85% Non-Operating: -10° to 55° C / 14° to 131° F, 10 to 85%			
Regulatory and Safety		FCC, c-UL, CE, CB, RoHS, WEEE, BSMI, CCC			
Operating Systems and Virtualization Software		Microsoft® Windows Server® 2012 Standard			

Model	T110i-S
	Microsoft® Windows Server® 2012 Datacenter Microsoft® Windows Server® 2012 R2 Standard Microsoft® Windows Server® 2012 R2 Datacenter Microsoft® Windows Server® 2016 Standard Microsoft® Windows Server® 2016 Datacenter Red Hat Enterprise Linux 7.3 or later ⁴ VMware ESXi 6.0 Update 3 ⁵ VMware ESXi 6.5 ⁵ VMware ESXi 6.7 ⁵

- ¹ Embedded SATA RAID controller is supported only on limited operating systems.
- ² Maximum resolution available via EXPRESSSCOPE Engine 3 remote console is 1280 x 1024 / 65K colors.
- ³ Noise emission was measured in accordance with ISO 7779, at 25°C. The actual value may vary by the operating environment.
- ⁴ For Linux support, contact your sales representative or go to the NEC website at: <http://www.nec.com/global/prod/express/linux/index.html>
- ⁵ Support on Xeon processor systems only.

(2 / 2)

Model	T110i-S			
Part Number	N8100-2535F, N8100-2536F			
Processor	Type	Intel® Xeon® processor E3-1240L v5	Intel® Xeon® processor E3-1260L v5	Intel® Xeon® processor E3-1270 v6
	Clock speed	2.10 GHz	2.90 GHz	3.70 GHz
	Number of Processors	1		
	Cache	8 MB		
	Cores and Threads	4C / 8T		
Chipset	Intel® C236 Chipset			
Memory	Type	DDR4-2400 ECC Unbuffered DIMM		
	Standard Capacity	0 GB		
	Maximum Capacity	64 GB (4 x 16 GB)		
Internal Storage	Standard Capacity	0 GB		
	Maximum Capacity	28.8 TB (2 x 12 TB + 2x 2.4TB)		
	Disk Controller	SATA : 6 Gb/s (Integrated) SATA/SAS : 6/12 Gb/s (Optional)		
	RAID	SATA : RAID 0/1/10 (Standard ¹) SATA/SAS : RAID 0/1/5/6/10/50/60 (Optional)		
	Hot Plug	Supported with hot plug drive bay		
	Optical Disk Drive	Optional		
	3.5-inch Media Bays	2		
Expansion Slots	Disk Drive Bays	2 or 4 or 6		
	Total: 4 slots available			
	1 PCIe 3.0 x16 (x16 connector)			
	1 PCIe 3.0 x4 (x8 connector)			
	1 PCIe 3.0 x2 (x8 connector) 1 PCIe 3.0 x1 (x8 connector)			
Video	Controller (VRAM)	Integrated in Server Management Controller (32MB)		
	Resolution / Color	1600 x 1200 / 16.7M ²		
Interfaces	1 VGA (15-pin mini D-sub, 1 rear) 1 to 2 Serial (9-pin mini D-sub, RS232-C, 1 to 2 rear) 6 USB 3.0 (2 front, 4 rear) (plus 1 internal USB 3.0) 2 1000BASE-T LAN connector (RJ-45, 2 rear) 1 1000BASE-T LAN connector for Management (RJ-45, 1 rear)			
Server Management	EXPRESSSCOPE Engine 3			
System Fan	Standard			
Power Supply	1 x 250 Watt 80 PLUS® Platinum certified non-hot plug PSU 2 x 460 Watt 80 PLUS® Platinum certified Hot plug PSU 100-240 VAC ± 10% 50 / 60 Hz ± 3 Hz			
Power Consumption	(Max. Config, Idling)	95 VA / 94 Watt	96 VA / 95 Watt	98 VA / 97 Watt
	(Max. Config, Operating)	128 VA / 127 Watt	159 VA / 158 Watt	229 VA / 228 Watt
Acoustic Noise	Minimum Config.	27.2 dB		

SYSTEM CONFIGURATION GUIDE – NEC Express5800/T110i-S

Model	T110i-S
(Sound Pressure Level)³	Maximum Config. 32.7 dB
Dimensions (W x D x H)	Standard Bezel: 98.0 x 386.5 x 341.0 mm / 3.9 x 15.2 x 13.4 in Dust Proof Bezel: 98.0 x 415.7 x 341.0 mm / 3.9 x 16.3 x 13.4 in
Weight (Minimum / Maximum)	8 kg / 11.5 kg, 17.64 lbs. / 25.35 lbs.
Temperature, Relative Humidity (non-condensing)	Operating: 5° to 40° C / 41° to 104° F (Standard) or 5° to 48° C / 41° to 118° F (Optional), 10 to 85% Non-Operating: -10° to 55° C / 14° to 131° F, 10 to 85%
Regulatory and Safety	FCC, c-UL, CE, CB, RoHS, WEEE, BSMI, CCC
Operating Systems and Virtualization Software	Microsoft® Windows Server® 2012 Standard Microsoft® Windows Server® 2012 Datacenter Microsoft® Windows Server® 2012 R2 Standard Microsoft® Windows Server® 2012 R2 Datacenter Microsoft® Windows Server® 2016 Standard Microsoft® Windows Server® 2016 Datacenter Red Hat Enterprise Linux 7.3 or later ⁴ VMware ESXi 6.0 Update 3 ⁵ VMware ESXi 6.5 ⁵ VMware ESXi 6.7 ⁵

¹ Embedded SATA RAID controller is supported only on limited operating systems.

² Maximum resolution available via EXPRESSSCOPE Engine 3 remote console is 1280 x 1024 / 65K colors.

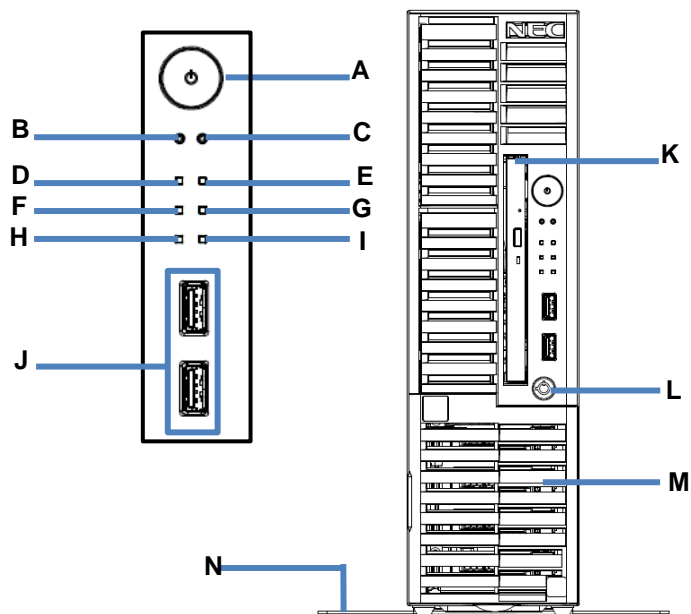
³ Noise emission was measured in accordance with ISO 7779, at 25°C. The actual value may vary by the operating environment.

⁴ For Linux support, contact your sales representative or go to the NEC website at:
<http://www.nec.com/global/prod/express/linux/index.html>

⁵ Support on Xeon processor systems only.

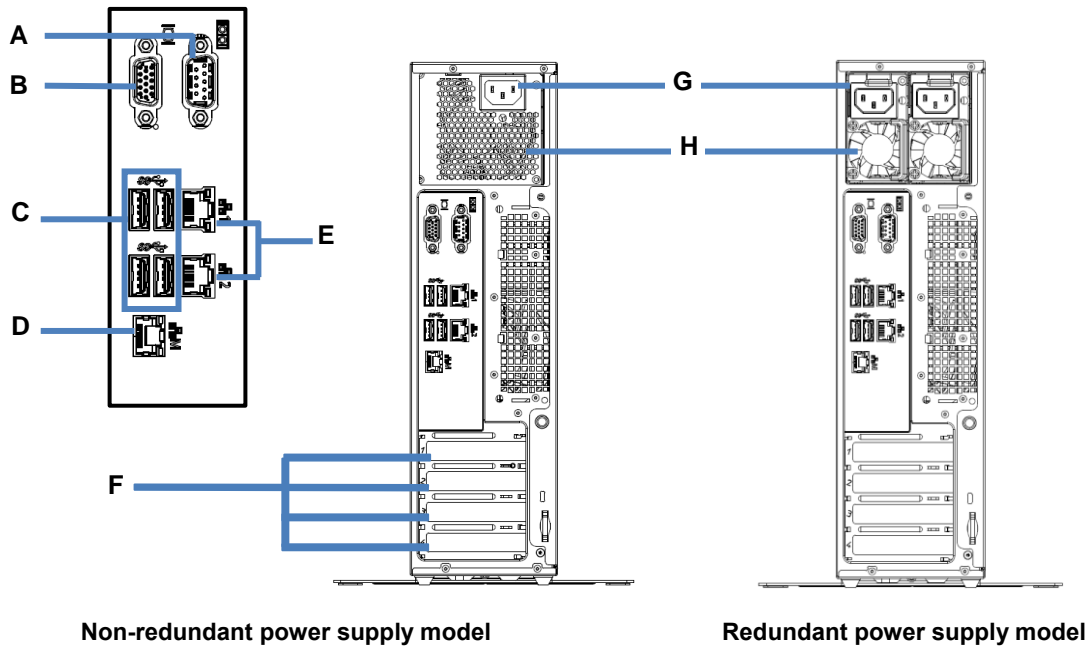
External Views

Front View



Legend	
A.	Power Button
B.	Dump (NMI) Button
C.	BMC Reset Button
D.	Power LED
E.	Power Capping LED
F.	STATUS LED 1
G.	STATUS LED 2
H.	Global LED 1
I.	Global LED 2
J.	USB 3.0 Connectors
K.	Optical Disk Drive
L.	Cover Key (2.5 inch Drive Configuration)
M.	Drive Bay Cover
N.	Stabilizer

Rear Views

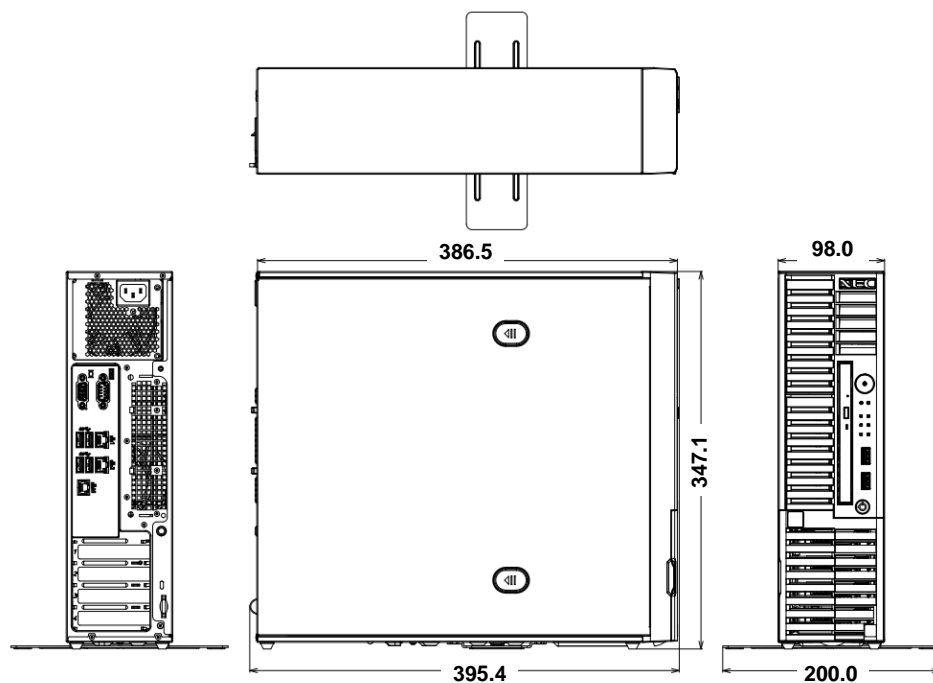


Legend			
A.	Serial Port Connector	E.	Data LAN Connectors
B.	VGA Connector	F.	PCI Slots
C.	USB Connectors	G.	AC Inlet
D.	Management LAN Connector	H.	Power Supply Unit

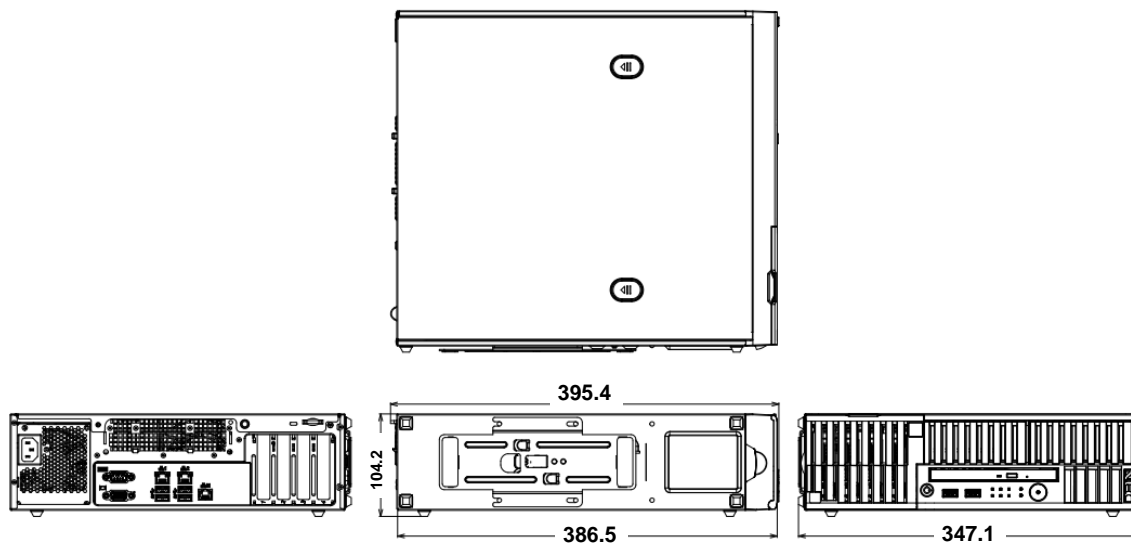
Dimensions (mm)

Standard Bezel

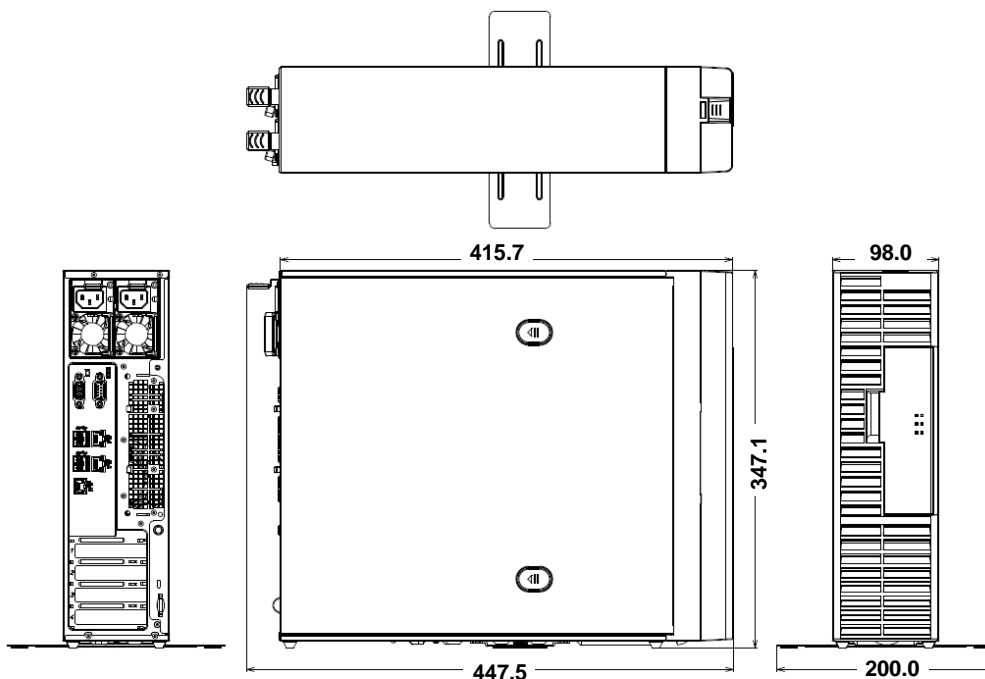
Tower Orientation



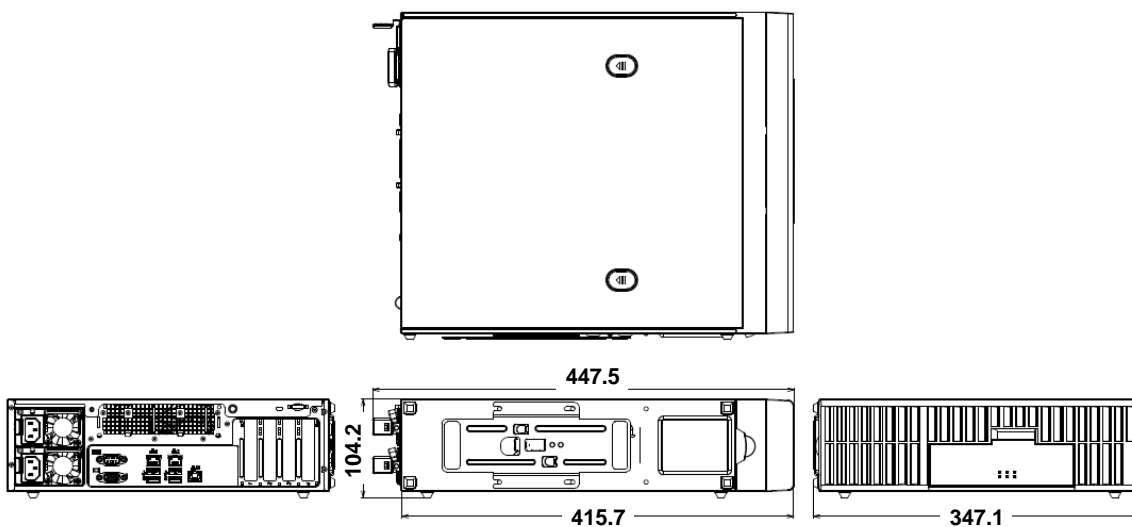
Desktop Orientation



Tower Orientation (Redundant power supply)

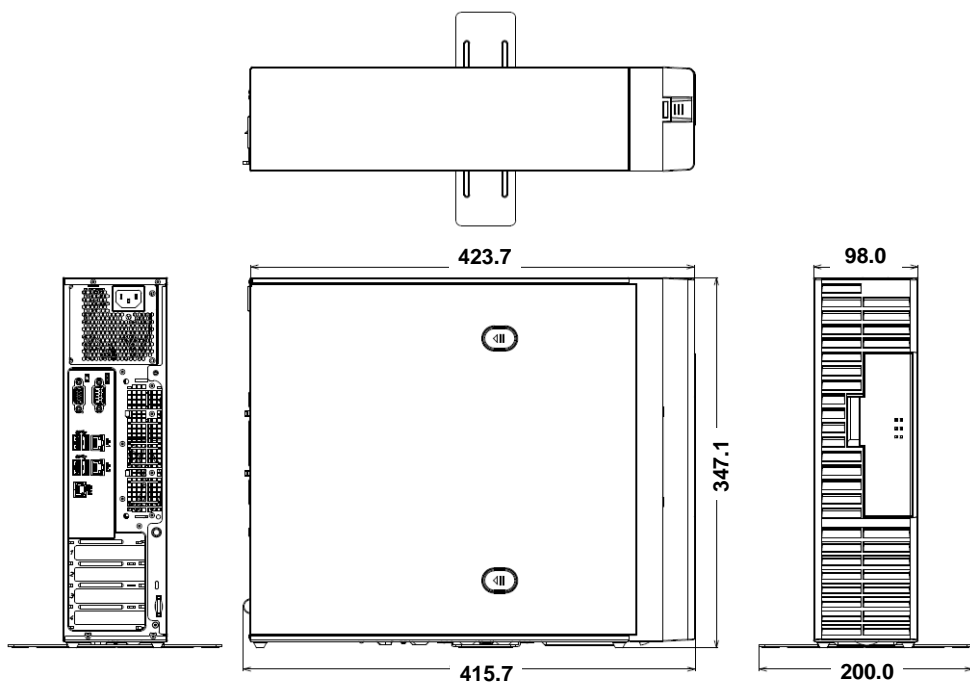


Desktop Orientation (Redundant power supply)

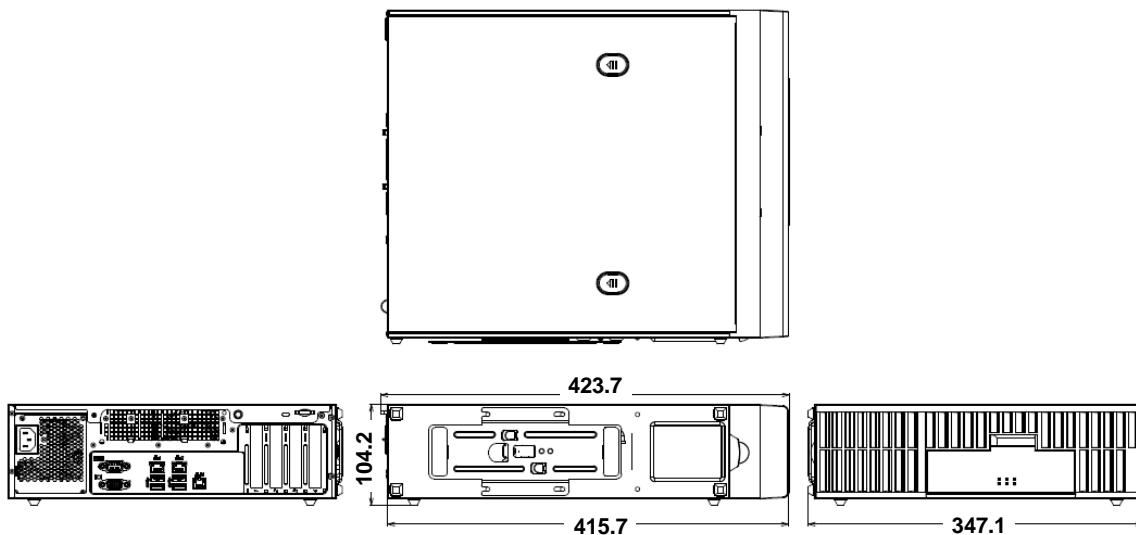


Dust Proof Bezel

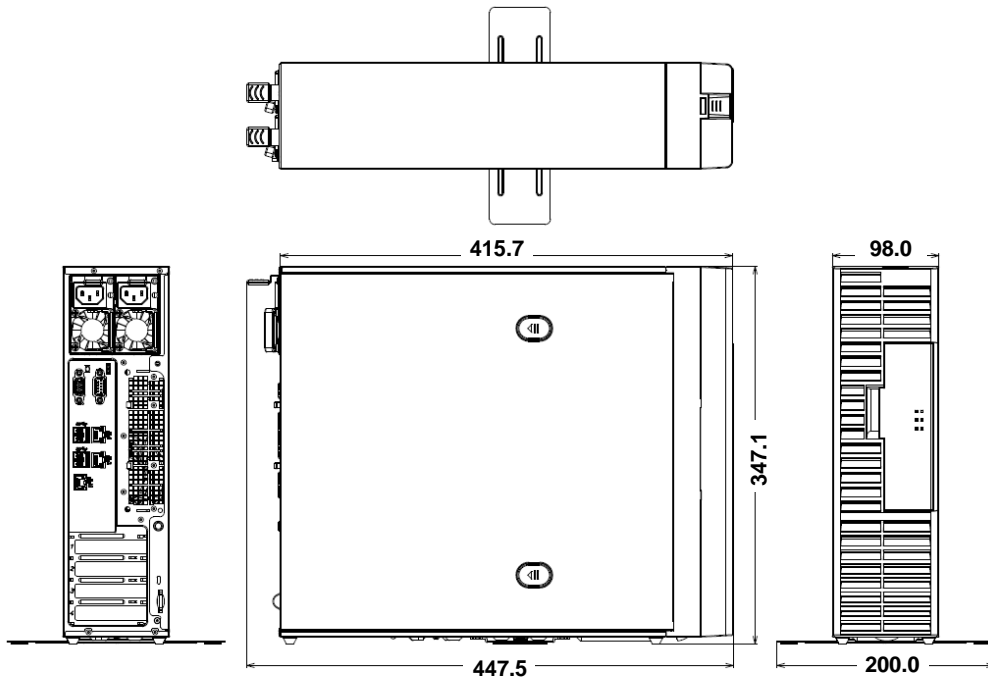
Tower Orientation (Non-redundant power supply)



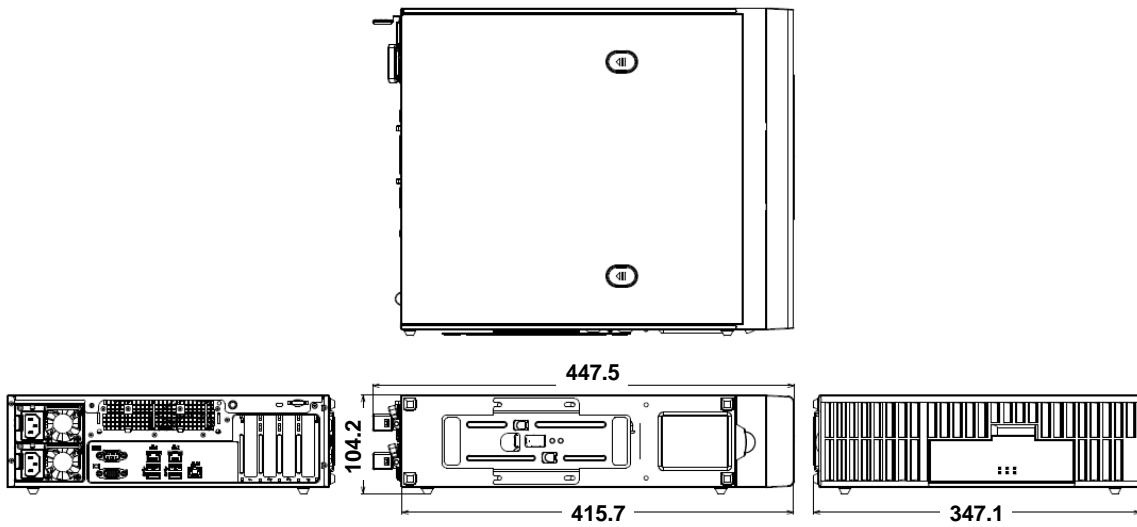
Desktop Orientation (Non-redundant power supply)



Tower Orientation (Redundant power supply)

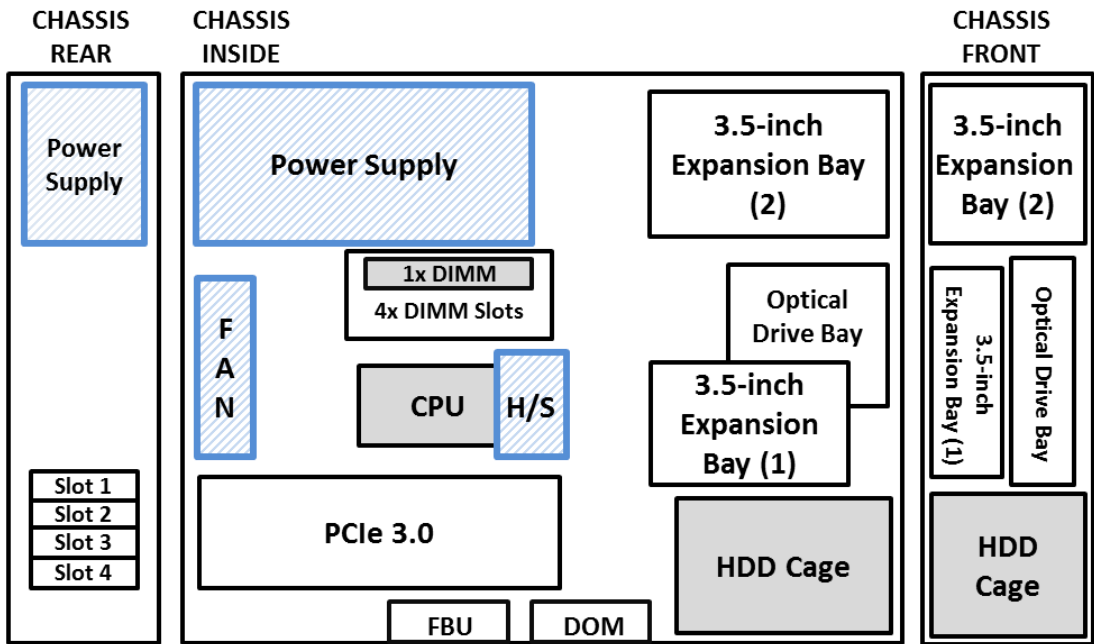


Desktop Orientation (Redundant power supply)



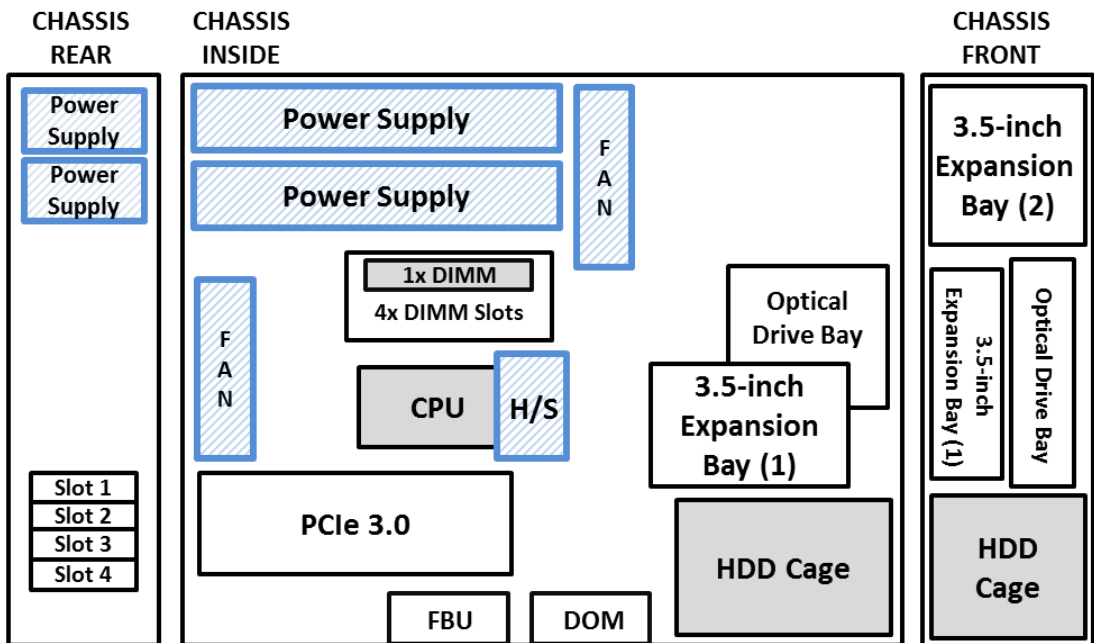
Configuration Diagram

Non-redundant Power Supply Model



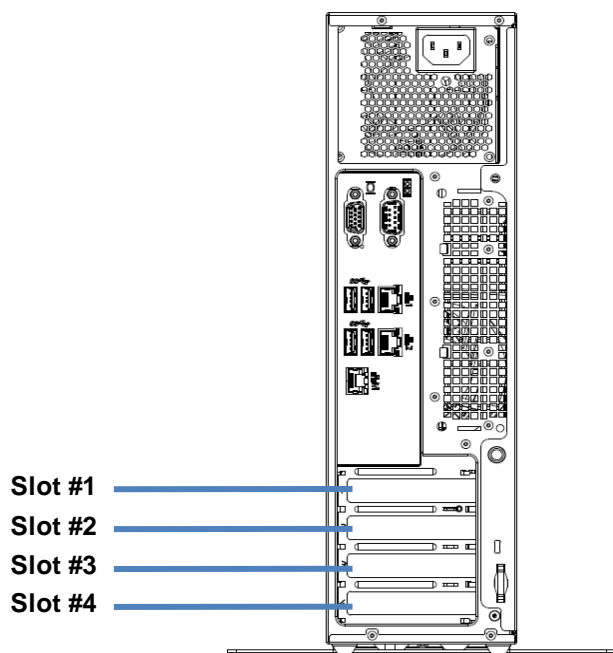
Legend: Standard Components Mandatory Components

Redundant Power Supply Model



Legend: Standard Components Mandatory Components

Expansion Slots



Legend	
#1	PCIe 3.0 x2, x8 connector, Low Profile, up to 168mm length
#2	PCIe 3.0 x1, x8 connector, Low Profile, up to 168mm length
#3	PCIe 3.0 x16, x16 connector, Low Profile, up to 168mm length
#4	PCIe 3.0 x4, x8 connector, Low Profile, up to 168mm length

Server Configuration

1 Base Models

Product Name / Description	Part Number
Express5800/T110i-S no Processor, no RAM, no Drive Cage, no HDD, no Optical Drive Including: 250 Watt non-hot plug power supply	N8100-2535F
Express5800/T110i-S no Processor, no RAM, no Drive Cage, no HDD, no Optical Drive Including: 2x 460 Watt hot plug power supply	N8100-2536F

NOTE:

- The base model must be ordered with a processor kit, memory, a drive cage, and an optical drive.

2 Processor

Available sockets: 1

Category	Product Name / Description	Part Number
Processors Required	Pentium G4560 Processor Kit Intel® Pentium® Processor G4560 (3.5 GHz, 2C/4T, 3 MB)	N8101-1086F
	Xeon E3-1220 v6 Processor Kit Intel® Xeon® Processor E3-1220 v6 (3.0 GHz, 4C/4T, 8 MB)	N8101-1091F
	Xeon E3-1225 v6 Processor Kit Intel® Xeon® Processor E3-1225 v6 (3.3 GHz, 4C/4T, 8 MB)	N8101-1090F
	Xeon E3-1230 v6 Processor Kit Intel® Xeon® Processor E3-1230 v6 (3.5 GHz, 4C/8T, 8 MB)	N8101-1089F
	Xeon E3-1240L v5 Processor Kit Intel® Xeon® Processor E3-1240L v5 (2.1 GHz, 4C/8T, 8 MB)	N8101-943F
	Xeon E3-1260L v5 Processor Kit Intel® Xeon® Processor E3-1260L v5 (2.9 GHz, 4C/8T, 8 MB)	N8101-944F
	Xeon E3-1270 v6 Processor Kit Intel® Xeon® Processor E3-1270 v6 (3.8 GHz, 4C/8T, 8 MB)	N8101-1088F

NOTE:

- One processor kit from above must be installed.
- VMware ESXi is supported only on Xeon processor systems.

3 Memory

Available slots: 4

Product Name / Description	Part Number
8GB DDR4-2400 UNB Memory Kit 8GB Unbuffered ECC DIMM, DDR4-2400	N8102-701F
16GB DDR4-2400 UNB Memory Kit 16GB Unbuffered ECC DIMM, DDR4-2400	N8102-702F

NOTE:

- Minimum one memory kit must be installed.
- It is recommended to install memory kits in pairs of two identical DIMMs for dual-channel symmetric memory configurations to increase memory transfer speed.
- At least 5 GB of memory is required for VMware ESXi™ 6.0, and VMware ESXi™ 6.5.

Maximum Available Memory

See the table below for the maximum memory size that you can actually use on your system.

Operating Systems	Maximum Memory Size Supported by Operating Systems	Maximum Available Memory
Microsoft Windows Server 2012 Standard Microsoft Windows Server 2012 Datacenter Microsoft Windows Server 2012 R2 Standard Microsoft Windows Server 2012 R2 Datacenter	4 TB ¹	64 GB
Microsoft Windows Server 2016 Standard Microsoft Windows Server 2016 Datacenter	24TB ¹	64GB
Red Hat Enterprise Linux 7	12 TB	64 GB
VMware ESXi 6.0	6 TB ²	64 GB
VMware ESXi 6.5	12TB ³	64 GB
VMware ESXi 6.7	16TB³	64 GB

¹ The maximum available memory size of Hyper-V systems is below:

- Windows Server 2012 and Windows Server 2012 R2 : 4 TB
- Windows Server 2016 : 12 TB

² Up to 4 TB of main memory is available to each virtual machine.

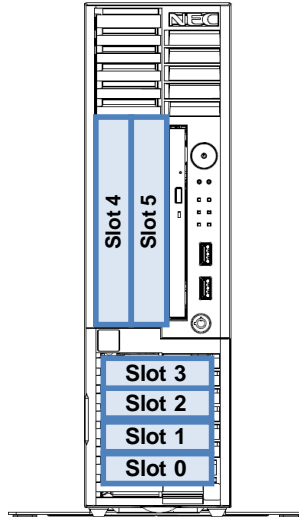
³ Up to 6 TB of main memory is available to each virtual machine.

4 Internal Hard Disk Drives

4.1 RAID Configuration

Refer to the section in accordance with your disk form factor and RAID configuration

4.1.1 2.5-inch Drive

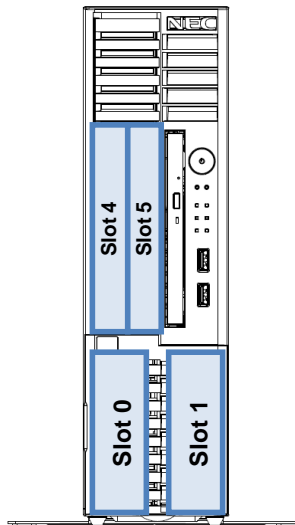


Operating System	Supported RAID configuration		Supported HDD/SSD
	RAID and Cache	Section	
VMware ESXi 6.0 Windows Server 2012 Windows Server 2012 R2 Windows Server 2016	Non-RAID (Embedded SATA)	4.2.1	4.3.1
	RAID 0/1 (Embedded SATA RAID)	4.2.2	4.3.2
	RAID 0/1/10 No Cache	4.2.4	4.3.4
	RAID 0/1/10 2GB Cache	4.2.6	
	RAID 5/6/50/60 2GB Cache	4.2.9	
	RAID 5/6/50/60 4GB Cache	4.2.10	
VMware ESXi 6.5	Non-RAID (Embedded SATA)	4.2.1	4.3.1
	RAID 0/1/10 No Cache	4.2.4	4.3.4
	RAID 0/1/10 2GB Cache	4.2.6	
	RAID 5/6/50/60 2GB Cache	4.2.9	
	RAID 5/6/50/60 4GB Cache	4.2.10	
VMware ESXi 6.7	Non-RAID (Embedded SATA)	4.2.1	4.3.1
	RAID 0/1/10 No Cache	4.2.4	4.3.4
	RAID 0/1/10 2GB Cache	4.2.6	
	RAID 5/6/50/60 2GB Cache	4.2.9	
	RAID 5/6/50/60 4GB Cache	4.2.10	
Red Hat Enterprise Linux 7	Non-RAID (Embedded SATA)	4.2.1	4.3.1
	RAID 0/1/10 No Cache	4.2.3	4.3.4
	RAID 0/1/10 1GB Cache	4.2.5	
	RAID 5/6/50/60 1GB Cache	4.2.7	
	RAID 5/6/50/60 2GB Cache	4.2.8	

NOTE:

- Up to four drives can be installed when you choose the Embedded SATA Non-RAID controller.
- All drives within a RAID array should be of the same capacity and rotation speed.
- Up to two kinds of drives selected from SAS 10K HDDs (512n), SAS 10K HDDs (512e), SAS 15K HDDs, SATA HDDs, and SSDs can be mixed in a system. However, SAS HDDs and SATA HDDs cannot be mixed in the same cage, and HDDs in the same cage must have the same rotational speed.
- Internal RDX drive cannot be installed in the redundant power supply model with optional 2.5-inch drive cage.

4.1.2 3.5-inch Drive



Operating System	Supported RAID configuration		Supported HDD/SSD
	RAID and Cache	Section	
VMware ESXi 6.0	Non-RAID (Embedded SATA)	4.2.11	4.3.5
	RAID 0/1/10 No Cache	4.2.13	
Windows Server 2012 Windows Server 2012 R2 Windows Server 2016	Non-RAID (Embedded SATA)	4.2.11	4.3.5
	RAID 0/1 (Embedded SATA RAID)	4.2.12	
	RAID 0/1/10 No Cache	4.2.14	4.3.6
	RAID 0/1/10 2GB Cache	4.2.17 4.2.18	
VMware ESXi 6.5	Non-RAID (Embedded SATA)	4.2.11	4.3.5
	RAID 0/1/10 No Cache	4.2.14	
	RAID 0/1/10 2GB Cache	4.2.17 4.2.18	3.5-inch: 4.3.6 2.5-inch: 4.3.4
VMware ESXi 6.7	Non-RAID (Embedded SATA)	4.2.11	4.3.5
	RAID 0/1/10 No Cache	4.2.14	
	RAID 0/1/10 2GB Cache	4.2.17 4.2.18	3.5-inch: 4.3.6 2.5-inch: 4.3.4
	Red Hat Enterprise Linux 7	Non-RAID (Embedded SATA)	4.2.11
	RAID 0/1/10 No Cache	4.2.13	4.3.6
	RAID 0/1/10 1GB Cache	4.2.15 4.2.16	

NOTE:

- All hard drives within a RAID array should be of the same capacity and rotation speed.
- 2.5-inch drives installed in the optional cage must be identical.
- Install an operating system in the 3.5-inch drives with this configuration.
- 2.5-inch drives cannot be set as hot-spare for the RAID group of 3.5-inch drives.
- Internal RDX drive cannot be installed in the redundant power supply model with optional 2.5-inch drive cage.
- Hot plug insertion/removal of any drive is not supported when both 3.5-inch and 2.5-inch drives are installed.

4.1.3 M.2 SATA SSD

The M.2 SATA SSD can be used for boot drive only. See the table below for the system configuration of M.2 SATA SSD and support for the mixed installation of M.2 SATA SSDs and internal hard drives.

Operating System	M.2 SATA SSD configuration		Support for the mixed installation of M.2 SATA SSD and internal hard drives.
	RAID and Cache	Section	
VMware ESXi 6.5	RAID 0/1/10 No Cache	4.2.21	Not supported
	RAID 0/1/10 2GB Cache	4.2.23	

VMware ESXi 6.7	RAID 0/1/10	No Cache	4.2.21	Not supported
	RAID 0/1/10	2GB Cache	4.2.23	
Windows Server 2012 Windows Server 2012 R2 Windows Server 2016	RAID 0/1 (Embedded SATA RAID)		4.2.19	Supported: Optional RAID controller is required to install internal hard drives.
	RAID 0/1/10	No Cache	4.2.21	Not supported
	RAID 0/1/10	2GB Cache	4.2.23	
Red Hat Enterprise Linux 7	RAID 0/1/10	No Cache	4.2.20	Not supported
	RAID 0/1/10	2GB Cache	4.2.22	

NOTE:

- A drive cage kit is required when no internal hard drive is installed.

4.2 Required Components for RAID Configuration

4.2.1 Embedded SATA non-RAID Controller for 2.5-inch Drives

Category	Product Name / Description	Part Number
Storage Controller	Embedded SATA Controller 4x 6Gb/s SATA	(Standard)
Cable	Internal SATA Cable Mini-SAS to mini-SAS	(Included in the Drive Cage)
Drive Cage Required	2.5-inch Drive Cage 4 x 2.5-inch hot plug drive bays	N8154-82F

NOTE

- Hot plug insertion/removal is not supported with the embedded SATA non-RAID controller.

4.2.2 Embedded SATA RAID Controller for 2.5-inch Drives

Category	Product Name / Description	Part Number
Storage Controller	Embedded SATA Controller 4x 6Gb/s SATA, RAID0/1/10 capable	(Standard)
Cable	Internal SATA Cable Mini-SAS to mini-SAS	(Included in the Drive Cage)
Drive Cage Required	2.5-inch Drive Cage 4 x 2.5-inch hot plug drive bays	N8154-82F

NOTE

- All hard drives within a RAID array should be of the same capacity and rotation speed.

4.2.3 RAID 0/1 Controller without Cache for 2.5-inch Drives

Category	Product Name / Description	Part Number
Storage Controller Required	RAID Controller (RAID 0/1) Broadcom MegaRAID SAS 9341-8i RAID0/1/10, no memory cache, Int. 8, PCIe 3.0(x8), SAS 12Gb/s, SATA 6Gb/s	N8103-188
Cable	Internal SATA Cable mini-SAS to mini-SAS, miniSAS – 2x Single SATA	(Included in the Drive Cage)
Drive Cage Required	2.5-inch Drive Cage 4 x 2.5-inch hot plug drive bays	N8154-82F
Optional Drive Cage (For more than 4 drives)	2.5-Inch Hot Plug Drive Cage Kit 2x 2.5-inch hot plug drive bays Including 1x mini-SAS to 2x Single SATA cable	N8154-83F

NOTE:

- All drives within a RAID array should be of the same type, capacity and rotation speed.

4.2.4 RAID 0/1 Controller without Cache for 2.5-inch Drives

Category	Product Name / Description	Part Number
Storage Controller Required	RAID Controller (RAID 0/1) Avago(LSI) MegaRAID SAS 944N-8i RAID0/1/10, no memory cache, Int. 8, PCIe 3.0(x8), SAS 12Gb/s, SATA 6Gb/s	N8103-205
Cable	Internal SATA Cable mini-SAS to mini-SAS, miniSAS – 2x Single SATA	(Attached in Cage)
Drive Cage Required	2.5-inch Drive Cage 4 x 2.5-inch hot plug drive bays	N8154-82F
Optional Drive Cage (more than 4 Drive)	2.5-Inch Hot Plug Drive Cage Kit 2x 2.5-inch hot plug drive bays Including 1x mini-SAS to 2x Single SATA cable	N8154-83F

NOTE:

- All drives within a RAID array should be of the same type, capacity and rotation speed.

4.2.5 RAID 0/1 Controller with 1 GB Cache for 2.5-inch Drives

Category	Product Name / Description	Part Number
Storage Controller Required	RAID Controller (1GB, RAID 0/1) LSI MegaRAID SAS 9362-8i RAID0/1/10, 1GB, Int. 8, PCIe 3.0(x8), SAS 12Gb/s, SATA 6Gb/s	N8103-176A
Flash Backup Recommended	Flash Backup Unit for LSI MegaRAID SAS 9362-8i 500mm Cable for Flash Backup Unit included	N8103-180
Cable	Internal SATA Cable mini-SAS to mini-SAS, miniSAS – 2x Single SATA	(Attached in Cage)
Drive Cage Required	2.5-inch Drive Cage 4 x 2.5-inch hot plug drive bays	N8154-82F
Optional Drive Cage Required	2.5-Inch Hot Plug Drive Cage Kit 2x 2.5-inch hot plug drive bays Including 1x mini-SAS to 2x Single SATA cable	N8154-83F

NOTE:

- All hard drives within a RAID array should be of the same capacity and rotation speed.

4.2.6 RAID 0/1 Controller with 2 GB Cache for 2.5-inch Drives

Category	Product Name / Description	Part Number
Storage Controller Required	RAID Controller (2GB, RAID 0/1, WT/WB) Avago(LSI) MegaRAID SAS 946N-8i RAID 0/1/10, 2GB, Int. 8, PCIe 3.0 x8, SAS 12Gb/s, SATA 6Gb/s	N8103-206
	RAID Controller (2GB, RAID 0/1, WT) Avago(LSI) MegaRAID SAS 945N-8i RAID 0/1/10, 2GB, Int. 8, PCIe 3.0 x8, SAS 12Gb/s, SATA 6Gb/s	N8103-210
Flash Backup Recommended	Flash Backup Unit for LSI MegaRAID SAS 946N-8i 550mm Cable for Flash Backup Unit included NOTE: It can not be connected to N8103-210 RAID Controller	N8103-209
Cable	Internal SATA Cable mini-SAS to mini-SAS, miniSAS – 2x Single SATA	(Attached in Cage)
Drive Cage Required	2.5-inch Drive Cage 4 x 2.5-inch hot plug drive bays	N8154-82F
Optional Drive Cage Required	2.5-Inch Hot Plug Drive Cage Kit 2x 2.5-inch hot plug drive bays Including 1x mini-SAS to 2x Single SATA cable	N8154-83F

NOTE:

- All hard drives within a RAID array should be of the same capacity and rotation speed.

4.2.7 RAID 5/6 Controller with 1 GB Cache for 2.5-inch Drives

Category	Product Name / Description	Part Number
Storage Controller Required	RAID Controller (1GB, RAID 0/1/5/6) LSI MegaRAID SAS 9362-8i RAID0/1/5/6/10/50/60, 1GB, Int. 8, PCIe 3.0(x8), SAS 12Gb/s, SATA 6Gb/s	N8103-177A
Flash Backup Recommended	Flash Backup Unit for LSI MegaRAID SAS 9362-8i 500mm Cable for Flash Backup Unit included	N8103-180
Cable	Internal SATA Cable mini-SAS to mini-SAS, miniSAS – 2x Single SATA	(Attached in Cage)
Drive Cage Required	2.5-inch Drive Cage 4 x 2.5-inch hot plug drive bays	N8154-82F
Optional Drive Cage (more than 4 Drive)	2.5-Inch Hot Plug Drive Cage Kit 2x 2.5-inch hot plug drive bays Including 1x mini-SAS to 2x Single SATA cable	N8154-83F

NOTE:

- All hard drives within a RAID array should be of the same capacity and rotation speed.

4.2.8 RAID 5/6 Controller with 2 GB Cache for 2.5-inch Drives

Category	Product Name / Description	Part Number
Storage Controller Required	RAID Controller (2GB, RAID 0/1/5/6) Broadcom MegaRAID SAS 9362-8i RAID0/1/5/6/10/50/60, 2 GB, Int. 8, PCIe 3.0(x8), SAS 12Gb/s, SATA 6Gb/s	N8103-178A
Flash Backup Recommended	Flash Backup Unit for Broadcom MegaRAID SAS 9362-8i 500mm Cable for Flash Backup Unit included	N8103-180
Cable	Internal SATA Cable mini-SAS to mini-SAS, miniSAS – 2x Single SATA	(Included in the Drive Cage)
Drive Cage Required	2.5-inch Drive Cage 4 x 2.5-inch hot plug drive bays	N8154-82F
Optional Drive Cage (For more than 4 drives)	2.5-Inch Hot Plug Drive Cage Kit 2x 2.5-inch hot plug drive bays Including 1x mini-SAS to 2x Single SATA cable	N8154-83F

NOTE:

- All drives within a RAID array should be of the same type, capacity and rotation speed.

4.2.9 RAID 5/6 Controller with 2 GB Cache for 2.5-inch Drives

Category	Product Name / Description	Part Number
Storage Controller Required	RAID Controller (2GB, RAID 0/1/5/6, WT/WB) Avago(LSI) MegaRAID SAS 946N-8i RAID0/1/5/6/10/50/60, 2GB, Int. 8, PCIe 3.0 x8, SAS 12Gb/s, SATA 6Gb/s	N8103-207
Flash Backup Recommended	RAID Controller (2GB, RAID 0/1/5/6, WT) Avago(LSI) MegaRAID SAS 945N-8i RAID0/1/5/6/10/50/60, 2GB, Int. 8, PCIe 3.0 x8, SAS 12Gb/s, SATA 6Gb/s	N8103-211
Cable	Flash Backup Unit for LSI MegaRAID SAS 946N-8i 550mm Cable for Flash Backup Unit included NOTE: It can not be connected to N8103-211 RAID Controller	N8103-209
Drive Cage Required	2.5-inch Drive Cage 4 x 2.5-inch hot plug drive bays	N8154-82F
Optional Drive Cage (more than 4 Drive)	2.5-Inch Hot Plug Drive Cage Kit 2x 2.5-inch hot plug drive bays Including 1x mini-SAS to 2x Single SATA cable	N8154-83F

NOTE:

- All hard drives within a RAID array should be of the same capacity and rotation speed.

4.2.10 RAID 5/6 Controller with 4 GB Cache for 2.5-inch Drives

Category	Product Name / Description	Part Number
Storage Controller Required	RAID Controller (4GB, RAID 0/1/5/6) LSI MegaRAID SAS 946N-8i RAID0/1/5/6/10/50/60, 4GB, Int. 8, PCIe 3.0(x8), SAS 12Gb/s, SATA 6Gb/s	N8103-208
Flash Backup Recommended	Flash Backup Unit for LSI MegaRAID SAS 946N-8i 550mm Cable for Flash Backup Unit included	N8103-209
Cable	Internal SATA Cable mini-SAS to mini-SAS, miniSAS – 2x Single SATA	(Attached in Cage)
Drive Cage Required	2.5-inch Drive Cage 4 x 2.5-inch hot plug drive bays	N8154-82F
Optional Drive Cage (more than 4 Drive)	2.5-Inch Hot Plug Drive Cage Kit 2x 2.5-inch hot plug drive bays Including 1x mini-SAS to 2x Single SATA cable	N8154-83F

NOTE:

- All hard drives within a RAID array should be of the same capacity and rotation speed.

4.2.11 Embedded SATA non-RAID Controller for 3.5-inch Drives

Category	Product Name / Description	Part Number
Storage Controller	Embedded SATA Controller 4x 6Gb/s SATA	(Standard)
Cable	Internal SAS/SATA Cable miniSAS to 2x Single SATA	(Included in the Drive Cage)
Drive Cage Required	3.5-inch Drive Cage 2 x 3.5-inch non hot plug (fixed) drive bays	N8154-84F

4.2.12 Embedded SATA RAID Controller for 3.5-inch Drives

Category	Product Name / Description	Part Number
Storage Controller	Embedded SATA Controller 4x 6Gb/s SATA	(Standard)
Cable	Internal SAS/SATA Cable miniSAS to 2x Single SATA	(Included in the Drive Cage)
Drive Cage Required	3.5-inch Drive Cage 2 x 3.5-inch non hot plug (fixed) drive bays	N8154-84F

NOTE:

- All hard drives within a RAID array should be of the same capacity.

4.2.13 RAID 0/1 Controller without Cache for 3.5-inch Drives

Category	Product Name / Description	Part Number
Storage Controller Required	RAID Controller (RAID 0/1) Broadcom MegaRAID SAS 9341-8i RAID0/1/10, no memory cache, Int. 8, PCIe 3.0(x8), SAS 12Gb/s, SATA 6Gb/s	N8103-188
Cable Required	RAID LED Cable	K410-293(00)
Cable	Internal SAS/SATA Cable miniSAS to 2x Single SATA	(Included in the Drive Cage)
Drive Cage Required	3.5-inch Drive Cage 2 x 3.5-inch non hot plug (fixed) drive bays	N8154-84F

NOTE:

- All hard drives within a RAID array should be of the same capacity.

4.2.14 RAID 0/1 Controller without Cache for 3.5-inch Drives

Category	Product Name / Description	Part Number
Storage Controller Required	RAID Controller (RAID 0/1) Avago(LSI) MegaRAID SAS 944N-8i RAID0/1/10, no memory cache, Int. 8, PCIe 3.0(x8), SAS 12Gb/s, SATA 6Gb/s	N8103-205
Cable Required	RAID LED Cable	K410-444(00)
Cable	Internal SAS/SATA Cable miniSAS to 2x Single SATA	(Attached in Cage)
Drive Cage Required	3.5-inch Drive Cage 2 x 3.5-inch non hot plug (fixed) drive bays	N8154-84F

NOTE:

- All hard drives within a RAID array should be of the same capacity.

4.2.15 RAID 0/1 Controller with 1GB Cache for 3.5-inch

Category	Product Name / Description	Part Number
Storage Controller Required	RAID Controller (1GB, RAID 0/1) LSI MegaRAID SAS 9362-8i RAID0/1/10, 1GB, Int. 8, PCIe 3.0(x8), SAS 12Gb/s, SATA 6Gb/s	N8103-176A
Flash Backup Recommended	Flash Backup Unit for LSI MegaRAID SAS 9362-8i 500mm Cable for Flash Backup Unit included	N8103-180
Cable Required	RAID LED Cable	K410-293(00)
Cable	Internal SATA Cable mini-SAS to 2x Single SATA, for 3.5-inch drive cage	(Standard)
	Internal SAS/SATA Cable mini-SAS to 2x Single SATA, for 2.5-inch drive cage	(Attached in Cage)
Drive Cage Required	3.5-inch Drive Cage 2 x 3.5-inch non hot plug (fixed) drive bays	N8154-84F
Optional Drive Cage (more than 2 Drive)	2.5-inch Drive Cage 2 x 2.5-inch non hot plug (fixed) drive bays	N8154-83F

NOTE:

- All hard drives within a RAID array should be of the same form factor, capacity and rotation speed.

4.2.16 RAID 0/1 Controller with 1 GB Cache for 3.5-inch and 2.5-inch Drives

Category	Product Name / Description	Part Number
Storage Controller Required	RAID Controller (1GB, RAID 0/1) LSI MegaRAID SAS 9362-8i RAID0/1/10, 1GB, Int. 8, PCIe 3.0(x8), SAS 12Gb/s, SATA 6Gb/s	N8103-176A
Flash Backup Recommended	Flash Backup Unit for LSI MegaRAID SAS 9362-8i 500mm Cable for Flash Backup Unit included	N8103-180
Cable Required	RAID LED Cable	K410-293(00)
Cable	Internal SATA Cable mini-SAS to 2x Single SATA, for 3.5-inch drive cage	(Standard)
	Internal SAS/SATA Cable mini-SAS to 2x Single SATA, for 2.5-inch drive cage	(Attached in Cage)
Drive Cage Required	3.5-inch Drive Cage 2 x 3.5-inch non hot plug (fixed) drive bays	N8154-84F
Optional Drive Cage (more than 2 Drive)	2.5-inch Drive Cage 2 x 2.5-inch non hot plug (fixed) drive bays	N8154-83F

NOTE:

- All hard drives within a RAID array should be of the same form factor, capacity and rotation speed.

4.2.17 RAID 0/1 Controller with 2 GB Cache for 3.5-inch

Category	Product Name / Description	Part Number
Storage Controller Required	RAID Controller (2GB, RAID 0/1, WT/WB) Avago(LSI) MegaRAID SAS 946N-8i RAID 0/1/10, 2GB, Int. 8, PCIe 3.0 x8, SAS 12Gb/s, SATA 6Gb/s	N8103-206
	RAID Controller (2GB, RAID 0/1, WT) Avago(LSI) MegaRAID SAS 945N-8i RAID 0/1/10, 2GB, Int. 8, PCIe 3.0 x8, SAS 12Gb/s, SATA 6Gb/s	N8103-210
Flash Backup Recommended	Flash Backup Unit for LSI MegaRAID SAS 946N-8i 500mm Cable for Flash Backup Unit included NOTE: It can not be connected to N8103-210 RAID Controller	N8103-209
Cable Required	RAID LED Cable	K410-444(00)
Cable	Internal SATA Cable mini-SAS to 2x Single SATA, for 3.5-inch drive cage	(Standard)
	Internal SAS/SATA Cable mini-SAS to 2x Single SATA, for 2.5-inch drive cage	(Attached in Cage)
Drive Cage Required	3.5-inch Drive Cage 2 x 3.5-inch non hot plug (fixed) drive bays	N8154-84F
Optional Drive Cage (more than 2 Drive)	2.5-inch Drive Cage 2 x 2.5-inch non hot plug (fixed) drive bays	N8154-83F

NOTE:

- All hard drives within a RAID array should be of the same form factor, capacity and rotation speed.

4.2.18 RAID 0/1 Controller with 2 GB Cache for 3.5-inch and 2.5-inch Drives

Category	Product Name / Description	Part Number
Storage Controller Required	RAID Controller (2GB, RAID 0/1, WT/WB) Avago(LSI) MegaRAID SAS 946N-8i RAID 0/1/10, 2GB, Int. 8, PCIe 3.0 x8, SAS 12Gb/s, SATA 6Gb/s	N8103-206
	RAID Controller (2GB, RAID 0/1, WT) Avago(LSI) MegaRAID SAS 945N-8i RAID 0/1/10, 2GB, Int. 8, PCIe 3.0 x8, SAS 12Gb/s, SATA 6Gb/s	N8103-210
Flash Backup Recommended	Flash Backup Unit for LSI MegaRAID SAS 946N-8i 500mm Cable for Flash Backup Unit included NOTE: It can not be connected to N8103-210 RAID Controller	N8103-209
Cable Required	RAID LED Cable	K410-444(00)
Cable	Internal SATA Cable mini-SAS to 2x Single SATA, for 3.5-inch drive cage	(Standard)
	Internal SAS/SATA Cable mini-SAS to 2x Single SATA, for 2.5-inch drive cage	(Attached in Cage)
Drive Cage Required	3.5-inch Drive Cage 2 x 3.5-inch non hot plug (fixed) drive bays	N8154-84F
Optional Drive Cage Required	2.5-inch Drive Cage 2 x 2.5-inch non hot plug (fixed) drive bays	N8154-83F

NOTE:

- All hard drives within a RAID array should be of the same form factor, capacity and rotation speed.

4.2.19 Embedded SATA RAID Controller for M.2 SATA SSD

Category	Product Name / Description	Part Number
Storage Controller	Embedded SATA Controller 4x 6Gb/s SATA, RAID 0/1/10 capable	(Standard)
Cable Required	Internal SAS/SATA Cable 1 x Mini SAS HD to 2 x Single SATA, 1 set	K410-365(00)
Installation Kit	Dual M.2 SATA Drive Installation Kit	N8118-307

Required	M.2 PCIe SSD adapter, 2 x M.2 socket	
Drive	120GB M.2 SATA SSD	N8150-736
2 slots available	1 x 120GB M.2 SATA SSD, 6Gb/s, 512n sector	

4.2.20 RAID 0/1 Controller with 0 MB Cache for M.2 SATA SSD

Category	Product Name / Description	Part Number
Storage Controller Required	RAID Controller (RAID 0/1) Broadcom MegaRAID SAS 9341-8i RAID 0/1/10, Non-cache, Int. 8, PCIe 3.0 x8, SAS 12Gb/s, SATA 6Gb/s	N8103-188
Cable Required	RAID LED Cable	K410-293(00)
Cable Required	Internal SAS/SATA Cable 1 x Mini SAS HD to 2 x Single SATA, 1 set	K410-365(00)
Installation Kit Required	Dual M.2 SATA Drive Installation Kit M.2 PCIe SSD adapter, 2 x M.2 socket	N8118-307
Drive 2 slots available	120GB M.2 SATA SSD 1 x 120GB M.2 SATA SSD, 6Gb/s, 512n sector	N8150-736

4.2.21 RAID 0/1 Controller with 0 MB Cache for M.2 SATA SSD

Category	Product Name / Description	Part Number
Storage Controller Required	RAID Controller (RAID 0/1) Avago(LSI) MegaRAID SAS 944N-8i RAID0/1/10, no memory cache, Int. 8, PCIe 3.0(x8), SAS 12Gb/s, SATA 6Gb/s	N8103-205
Cable Required	RAID LED Cable	K410-444(00)
Cable Required	Internal SAS/SATA Cable 1 x Mini SAS HD to 2 x Single SATA, 1 set	K410-365(00)
Installation Kit Required	Dual M.2 SATA Drive Installation Kit M.2 PCIe SSD adapter, 2 x M.2 socket	N8118-307
Drive 2 slots available	120GB M.2 SATA SSD 1 x 120GB M.2 SATA SSD, 6Gb/s, 512n sector	N8150-736

4.2.22 RAID 0/1 Controller with 2 GB Cache for M.2 SATA SSD

Category	Product Name / Description	Part Number
Storage Controller Required	RAID Controller (RAID 0/1) Broadcom MegaRAID SAS 9341-8i RAID 0/1/10, Non-cache, Int. 8, PCIe 3.0 x8, SAS 12Gb/s, SATA 6Gb/s	N8103-176A
Cable Required	RAID LED Cable	K410-293(00)
Cable Required	Internal SAS/SATA Cable 1 x Mini SAS HD to 2 x Single SATA, 1 set	K410-365(00)
Installation Kit Required	Dual M.2 SATA Drive Installation Kit M.2 PCIe SSD adapter, 2 x M.2 socket	N8118-307
Drive 2 slots available	120GB M.2 SATA SSD 1 x 120GB M.2 SATA SSD, 6Gb/s, 512n sector	N8150-736

4.2.23 RAID 0/1 Controller with 2 GB Cache for M.2 SATA SSD

Category	Product Name / Description	Part Number
Storage Controller Required	RAID Controller (2GB, RAID 0/1, WT/WB) Avago(LSI) MegaRAID SAS 946N-8i RAID 0/1/10, 2GB, Int. 8, PCIe 3.0 x8, SAS 12Gb/s, SATA 6Gb/s	N8103-206
	RAID Controller (2GB, RAID 0/1, WT) Avago(LSI) MegaRAID SAS 945N-8i RAID 0/1/10, 2GB, Int. 8, PCIe 3.0 x8, SAS 12Gb/s, SATA 6Gb/s	N8103-210

Flash Backup Recommended	Flash Backup Unit for LSI MegaRAID SAS 946N-8i 500mm Cable for Flash Backup Unit included NOTE: It can not be connected to N8103-210 RAID Controller	N8103-209
Cable Required	RAID LED Cable	K410-444(00)
Cable Required	Internal SAS/SATA Cable 1 x Mini SAS HD to 2 x Single SATA, 1 set	K410-365(00)
Installation Kit Required	Dual M.2 SATA Drive Installation Kit M.2 PCIe SSD adapter, 2 x M.2 socket	N8118-307
Drive 2 slots available	120GB M.2 SATA SSD 1 x 120GB M.2 SATA SSD, 6Gb/s, 512n sector	N8150-736

4.3 Supported Drives

4.3.1 2.5-inch Drives (1)

Category	Product Name / Description	Part Number
Drive For 2.5-inch drive cage: 4 slots available For optional drive cage: 2 slots available	SATA HDD 500GB 7.2K Hot Plug 2.5-inch SATA HDD 1 x 500 GB SATA HDD, 2.5-inch, 6Gb/s, 7,200 rpm, 512n sector	N8150-488
	1TB 7.2K Hot Plug 2.5-inch SATA HDD 1 x 1 TB SATA HDD, 2.5-inch, 6Gb/s, 7,200 rpm, 512n sector	N8150-489
	2TB 7.2K Hot Plug 2.5-inch SATA HDD 1 x 2 TB SATA HDD, 2.5-inch, 6Gb/s, 7,200 rpm, 512n sector	N8150-527

4.3.2 2.5-inch Drives (2)

Category	Product Name / Description	Part Number
Drive For 2.5-inch drive cage: 4 slots available For optional drive cage: 2 slots available	SATA HDD (512n) 500GB 7.2K Hot Plug 2.5-inch SATA HDD 1 x 500 GB SATA HDD, 2.5-inch, 6Gb/s, 7,200 rpm, 512n sector	N8150-488
	1TB 7.2K Hot Plug 2.5-inch SATA HDD 1 x 1 TB SATA HDD, 2.5-inch, 6Gb/s, 7,200 rpm, 512n sector	N8150-489
	2TB 7.2K Hot Plug 2.5-inch SATA HDD 1 x 2 TB SATA HDD, 2.5-inch, 6Gb/s, 7,200 rpm, 512n sector	N8150-527
	SATA SSD (ME) 200GB Hot Plug 2.5-inch SATA SSD 1 x 200 GB SATA SSD, MLC, 2.5-inch, 6b/s, 512n sector, ME	N8150-1711
	400GB Hot Plug 2.5-inch SATA SSD 1 x 400 GB SATA SSD, MLC, 2.5-inch, 6b/s, 512n sector, ME	N8150-780
	800GB Hot Plug 2.5-inch SATA SSD 1 x 800 GB SATA SSD, MLC, 2.5-inch, 6b/s, 512n sector, ME	N8150-781
	SATA SSD (VE) 200GB Hot Plug 2.5-inch SATA SSD 1 x 200 GB SATA SSD, 2.5-inch, 6b/s, 512n sector, VE	N8150-1714
	400GB Hot Plug 2.5-inch SATA SSD 1 x 400 GB SATA SSD, 2.5-inch, 6b/s, 512n sector, VE	N8150-1715
	800GB Hot Plug 2.5-inch SATA SSD 1 x 800 GB SATA SSD, 2.5-inch, 6b/s, 512n sector, VE	N8150-784
1.6TB Hot Plug 2.5-inch SATA SSD 1 x 1.6 TB SATA SSD, 2.5-inch, 6b/s, 512n sector, VE	N8150-785	

4.3.3 2.5-inch Drives (3)

Category	Product Name / Description	Part Number
Drive For 2.5-inch drive cage: 4 slots available	SAS HDD (512n) 300GB 10K Hot Plug 2.5-inch SAS HDD 1 x 300 GB SAS HDD, 2.5-inch, 12Gb/s, 10,000 rpm, 512n sector	N8150-479
	450GB 10K Hot Plug 2.5-inch SAS HDD 1 x 450 GB SAS HDD, 2.5-inch, 12Gb/s, 10,000 rpm, 512n sector	N8150-480
	600GB 10K Hot Plug 2.5-inch SAS HDD 1 x 600 GB SAS HDD, 2.5-inch, 12Gb/s, 10,000 rpm, 512n sector	N8150-481

For optional drive cage: 2 slots available

	900GB 10K Hot Plug 2.5-inch SAS HDD	N8150-482
	1 x 900 GB SAS HDD, 2.5-inch, 12Gb/s, 10,000 rpm, 512n sector	
	1.2TB 10K Hot Plug 2.5-inch SAS HDD	N8150-483
	1 x 1.2TB SAS HDD, 2.5-inch, 12Gb/s, 10,000 rpm, 512n sector	
	300GB 15K Hot Plug 2.5-inch SAS HDD	N8150-485
	1 x 300 GB SAS HDD, 2.5-inch, 12Gb/s, 15,000 rpm, 512n sector	
	450GB 15K Hot Plug 2.5-inch SAS HDD	N8150-486
	1 x 450 GB SAS HDD, 2.5-inch, 12Gb/s, 15,000 rpm, 512n sector	
	600GB 15K Hot Plug 2.5-inch SAS HDD	N8150-518
	1 x 600 GB SAS HDD, 2.5-inch, 12Gb/s, 15,000 rpm, 512n sector	
SATA HDD (512n)	500GB 7.2K Hot Plug 2.5-inch SATA HDD	N8150-488
	1 x 500 GB SATA HDD, 2.5-inch, 6Gb/s, 7,200 rpm, 512n sector	
	1TB 7.2K Hot Plug 2.5-inch SATA HDD	N8150-489
	1 x 1 TB SATA HDD, 2.5-inch, 6Gb/s, 7,200 rpm, 512n sector	
	2TB 7.2K Hot Plug 2.5-inch SATA HDD	N8150-527
	1 x 2 TB SATA HDD, 2.5-inch, 6Gb/s, 7,200 rpm, 512n sector	
SAS SSD (eMLC)	200GB Hot Plug 2.5-inch SAS SSD	N8150-721
	1 x 200 GB SAS SSD, eMLC, 2.5-inch, 12Gb/s, 512n sector	
	400GB Hot Plug 2.5-inch SAS SSD	N8150-722
	1 x 400 GB SAS SSD, eMLC, 2.5-inch, 12Gb/s, 512n sector	
SATA SSD (ME)	200GB Hot Plug 2.5-inch SATA SSD	N8150-1711
	1 x 200 GB SATA SSD, MLC, 2.5-inch, 6b/s, 512n sector, ME	
	400GB Hot Plug 2.5-inch SATA SSD	N8150-780
	1 x 400 GB SATA SSD, MLC, 2.5-inch, 6b/s, 512n sector, ME	
	800GB Hot Plug 2.5-inch SATA SSD	N8150-781
	1 x 800 GB SATA SSD, MLC, 2.5-inch, 6b/s, 512n sector, ME	
SATA SSD (VE)	200GB Hot Plug 2.5-inch SATA SSD	N8150-1714
	1 x 200 GB SATA SSD, 2.5-inch, 6b/s, 512n sector, VE	
	400GB Hot Plug 2.5-inch SATA SSD	N8150-1715
	1 x 400 GB SATA SSD, 2.5-inch, 6b/s, 512n sector, VE	
	800GB Hot Plug 2.5-inch SATA SSD	N8150-784
	1 x 800 GB SATA SSD, 2.5-inch, 6b/s, 512n sector, VE	
	1.6TB Hot Plug 2.5-inch SATA SSD	N8150-785
	1 x 1.6 TB SATA SSD, 2.5-inch, 6b/s, 512n sector, VE	

NOTE:

- All hard drives within a RAID array should be of the same capacity.
- Up to two kinds of drives selected from SAS 10K HDDs, SAS 15K HDDs, SATA HDDs, and SSDs can be mixed in a system. However, SAS HDDs and SATA HDDs cannot be mixed in the same cage, and HDDs in the same cage must have the same rotational speed.
- To configure a large-capacity RAID array, it is recommended to configure in RAID 6 or RAID 60 in order to minimize the risk of becoming multiple hard drives failure during the RAID rebuilding process.

4.3.4 2.5-inch Drives (4)

Category	Product Name / Description	Part Number
Drive For 2.5-inch drive cage: 4 slots available For optional drive cage: 2 slots available e	SAS HDD (512n) 300GB 10K Hot Plug 2.5-inch SAS HDD	N8150-479
	1 x 300 GB SAS HDD, 2.5-inch, 12Gb/s, 10,000 rpm, 512n sector	
	450GB 10K Hot Plug 2.5-inch SAS HDD	N8150-480
	1 x 450 GB SAS HDD, 2.5-inch, 12Gb/s, 10,000 rpm, 512n sector	
	600GB 10K Hot Plug 2.5-inch SAS HDD	N8150-481
	1 x 600 GB SAS HDD, 2.5-inch, 12Gb/s, 10,000 rpm, 512n sector	
	900GB 10K Hot Plug 2.5-inch SAS HDD	N8150-482
	1 x 900 GB SAS HDD, 2.5-inch, 12Gb/s, 10,000 rpm, 512n sector	
	1.2TB 10K Hot Plug 2.5-inch SAS HDD	N8150-483
	1 x 1.2TB SAS HDD, 2.5-inch, 12Gb/s, 10,000 rpm, 512n sector	
	300GB 15K Hot Plug 2.5-inch SAS HDD	N8150-485
	1 x 300 GB SAS HDD, 2.5-inch, 12Gb/s, 15,000 rpm, 512n sector	
	450GB 15K Hot Plug 2.5-inch SAS HDD	N8150-486
1 x 450 GB SAS HDD, 2.5-inch, 12Gb/s, 15,000 rpm, 512n sector		
600GB 15K Hot Plug 2.5-inch SAS HDD	N8150-518	
1 x 600 GB SAS HDD, 2.5-inch, 12Gb/s, 15,000 rpm, 512n sector		
SAS HDD (512e)	1.8TB 10K Hot Plug 2.5-inch SAS HDD	N8150-541
	1x 1.8TB SAS HDD, 2.5-inch, 12Gb/s, 10,000 rpm, 512e sector	
	2.4TB 10K Hot Plug 2.5-inch SAS HDD	N8150-599

		1x 1.8TB SAS HDD, 2.5-inch, 12Gb/s, 10,000 rpm, 512e sector	
		900GB 15K Hot Plug 2.5-inch SAS HDD	N8150-586
		1x 900GB SAS HDD, 2.5-inch, 12Gb/s, 15,000 rpm, 512e sector	
SATA HDD (512n)		500GB 7.2K Hot Plug 2.5-inch SATA HDD	N8150-488
		1 x 500 GB SATA HDD, 2.5-inch, 6Gb/s, 7,200 rpm, 512n sector	
		1TB 7.2K Hot Plug 2.5-inch SATA HDD	N8150-489
		1 x 1 TB SATA HDD, 2.5-inch, 6Gb/s, 7,200 rpm, 512n sector	
		2TB 7.2K Hot Plug 2.5-inch SATA HDD	N8150-527
		1 x 2 TB SATA HDD, 2.5-inch, 6Gb/s, 7,200 rpm, 512n sector	
SAS SSD (eMLC)		200GB Hot Plug 2.5-inch SAS SSD	N8150-721
		1 x 200 GB SAS SSD, eMLC, 2.5-inch, 12Gb/s, 512n sector	
		400GB Hot Plug 2.5-inch SAS SSD	N8150-722
		1 x 400 GB SAS SSD, eMLC, 2.5-inch, 12Gb/s, 512n sector	
SATA SSD (ME)		200GB Hot Plug 2.5-inch SATA SSD	N8150-1711
		1 x 200 GB SATA SSD, MLC, 2.5-inch, 6b/s, 512n sector, ME	
		400GB Hot Plug 2.5-inch SATA SSD	N8150-780
		1 x 400 GB SATA SSD, MLC, 2.5-inch, 6b/s, 512n sector, ME	
		800GB Hot Plug 2.5-inch SATA SSD	N8150-781
		1 x 800 GB SATA SSD, MLC, 2.5-inch, 6b/s, 512n sector, ME	
SATA SSD (VE)		200GB Hot Plug 2.5-inch SATA SSD	N8150-1714
		1 x 200 GB SATA SSD, 2.5-inch, 6b/s, 512n sector, VE	
		400GB Hot Plug 2.5-inch SATA SSD	N8150-1715
		1 x 400 GB SATA SSD, 2.5-inch, 6b/s, 512n sector, VE	
		800GB Hot Plug 2.5-inch SATA SSD	N8150-784
		1 x 800 GB SATA SSD, 2.5-inch, 6b/s, 512n sector, VE	
		1.6TB Hot Plug 2.5-inch SATA SSD	N8150-785
		1 x 1.6 TB SATA SSD, 2.5-inch, 6b/s, 512n sector, VE	

NOTE:

- All hard drives within a RAID array should be of the same capacity.
- Up to two kinds of drives selected from SAS 10K HDDs (512n), SAS 10K HDDs (512e), SAS 15K HDDs, SATA HDDs, and SSDs can be mixed in a system. However, SAS HDDs and SATA HDDs cannot be mixed in the same cage, and HDDs in the same cage must have the same rotational speed.
- To configure a large-capacity RAID array, it is recommended to configure in RAID 6 or RAID 60 in order to minimize the risk of becoming multiple hard drives failure during the RAID rebuilding process.

4.3.5 Non-hot Plug 3.5-inch Drives (1)

Category		Product Name / Description	Part Number
Drive 2slots available	SATA HDD (512n)	500GB 7.2K non-Hot Plug 3.5-inch SATA HDD	N8150-526
		1 x 500 GB SATA HDD, 3.5-inch, 6Gb/s, 7,200 rpm, 512n sector	
		1TB 7.2K non-Hot Plug 3.5-inch SATA HDD	N8150-514
		1 x 1 TB SATA HDD, 3.5-inch, 6Gb/s, 7,200 rpm, 512n sector	
		2TB 7.2K non-Hot Plug 3.5-inch SATA HDD	N8150-515
		1 x 2 TB SATA HDD, 3.5-inch, 6Gb/s, 7,200 rpm, 512n sector	
		3TB 7.2K non-Hot Plug 3.5-inch SATA HDD	N8150-516
		1 x 3 TB SATA HDD, 3.5-inch, 6Gb/s, 7,200 rpm, 512n sector	
		4TB 7.2K non-Hot Plug 3.5-inch SATA HDD	N8150-517
		1 x 4 TB SATA HDD, 3.5-inch, 6Gb/s, 7,200 rpm, 512n sector	

NOTE:

- Hot plug insertion/removal is not supported with the embedded SATA Non-RAID controller.

4.3.6 Non-hot Plug 3.5-inch Drives (2)

Category		Product Name / Description	Part Number
Drive 2 slots available	SATA HDD (512n)	500GB 7.2K non-Hot Plug 3.5-inch SATA HDD	N8150-526
		1 x 500 GB SATA HDD, 3.5-inch, 6Gb/s, 7,200 rpm, 512n sector	
		1TB 7.2K non-Hot Plug 3.5-inch SATA HDD	N8150-514
		1 x 1 TB SATA HDD, 3.5-inch, 6Gb/s, 7,200 rpm, 512n sector	
		2TB 7.2K non-Hot Plug 3.5-inch SATA HDD	N8150-515
		1 x 2 TB SATA HDD, 3.5-inch, 6Gb/s, 7,200 rpm, 512n sector	
		3TB 7.2K non-Hot Plug 3.5-inch SATA HDD	N8150-516
		1 x 3 TB SATA HDD, 3.5-inch, 6Gb/s, 7,200 rpm, 512n sector	
		4TB 7.2K non-Hot Plug 3.5-inch SATA HDD	N8150-517

	1 x 4 TB SATA HDD, 3.5-inch, 6Gb/s, 7,200 rpm, 512n sector	
SATA HDD (512e)	6TB 7.2K non-Hot Plug 3.5-inch SATA HDD 1 x 6 TB SATA HDD, 3.5-inch, 6Gb/s, 7,200 rpm, 512e sector	N8150-538
	8TB 7.2K non-Hot Plug 3.5-inch SATA HDD 1 x 8 TB SATA HDD, 3.5-inch, 6Gb/s, 7,200 rpm, 512e Sector	N8150-539
	10TB 7.2K non-Hot Plug 3.5-inch SATA HDD 1 x 10 TB SATA HDD, 3.5-inch, 6Gb/s, 7,200 rpm, 512e Sector	N8150-542
	12TB 7.2K non-Hot Plug 3.5-inch SATA HDD 1 x 12 TB SATA HDD, 3.5-inch, 6Gb/s, 7,200 rpm, 512e Sector	N8150-601
	NOTE: - It can not be connected to the N8103-178/-188 RAID controller.	

NOTE:

- All drives within a RAID array should be of the same capacity.
- For 512e sector HDD, the supported operating systems of virtual machines on Hyper-V are:
 - Windows Server 2008 R2 SP1 or later
 - Windows 7 SP1 or later

5 Internal Optical Drive

Category	Product Name / Description	Part Number
Internal	Internal Slim DVD-ROM Drive Slim DVD-ROM drive	N8151-130
	Internal DVD Super Multi Drive Slim DVD Super Multi drive, not including writing software	N8151-131F
	NOTE: - Not supported for Linux or VMware.	
	Optical Drive Bay Cover Blank panel	N8151-133
External	External DVD Dual drive Slim DVD Dual drive, Bus powered, 1.5A required, not including writing software	N8160-101F

NOTE:

- An optical drive is required for maintenance and OS installation.
- Up to 1 optical drive can be connected.
- N8151-133 Optical Drive Bay Cover must be installed when not installing any internal optical drives.

6 Flash FDD

Choose the Flash FDD if you need to prepare an alternative device for a floppy drive.

Product Name / Description	Part Number
Flash FDD USB flash emulating USB floppy disk, Native capacity 1.44 MB	N8160-96

NOTE:

- Up to one derive can be connected
- Not supported when VMware is running on the server.

7 Internal RDX Drives

Category	Product Name / Description	Part Number
Controller	Internal USB Controller 1 x USB port	(Standard)
Cable Required	Internal USB cable 1x Internal USB3.0 to 1x USB 3.0 device	K410-352(00)
Drive 1 bays available	Internal RDX (USB) NOTE: - Not supported for VMware.	N8151-105

NOTE:

- Optional 2.5-inch drive cage cannot be installed in the redundant power supply model with Internal RDX drive.

8 PCI Card

8.1 Network Interface Controller

Category	Product Name / Description		Part Number
Adapter	GbE	1000BASE-T Adapter Broadcom ® BCM5718 Gigabit Ethernet Controller PCIe 2.0 x1	N8104-150
		Dual Port 1000BASE-T Adapter Broadcom ® BCM5718 Gigabit Ethernet Controller PCIe 2.0 x1	N8104-151
		Quad Port 1000BASE-T Adapter Broadcom ® BCM5719 Gigabit Ethernet Controller PCIe 2.0 x4	N8104-152
NOTE:			
- Network cables with RJ-45 plug covers cannot be used.			
	10GbE	10GBASE SFP+ Adapter (SFP+/2ch) QLogic® NetXtreme II BCM57810 10G SFP+ Dual Port Network Interface Card PCIe 2.0 x8	N8104-149
NOTE:			
- N8104-129 SFP+ Module is required to connect with an optical cable.			
- Up to two SFP+ Modules can be installed.			
- Up to two adapters can be installed.			
- N8104-129 SFP+ Module is required to connect with an optical cable.			
		Dual Port 10GBASE-T Adapter Intel X550-BT2 PCIe 3.0 x4	N8104-157
SFP+ Module		SFP+ Module (10G-SR) 1 x SFP+ Module for N8104-149	N8104-129

NIC Teaming feature – NIC Teaming and bonding features

See the table below for supported network interfaces and OS combinations.

Windows Server 2012 or later and Linux support teaming with bonding function supported by OS.

Network Interface	Team	Operating Systems
1GbE NIC Embedded 1GbE NIC and N8104-150/-151/-152	Up to four teams per one system Up to four ports per one team	Windows Server 2012 Windows Server 2012 R2 Windows Server 2016 Red Hat Enterprise Linux 7
10GbE NIC N8104-149	Up to two teams per one system Up to two ports per one team	Windows Server 2012 Windows Server 2012 R2 Windows Server 2016 Red Hat Enterprise Linux 7
10GbE NIC N8104-157	Up to one teams per one system Up to two ports per one team	Windows Server 2012 Windows Server 2012 R2 Windows Server 2016 Red Hat Enterprise Linux 7

NOTE:

- The network interfaces for a teaming must be the same.
- When 10GbE and 1GbE LAN teams are mixed, the teams must be up to four per one system.

Using iSCSI

See the table below for supported network interfaces and OS combinations.

Category	Network Interface	Operating Systems
1GbE	Embedded 1GbE NIC/ N8104-150/-151/-152	Windows Server 2012 Windows Server 2012 R2 Windows Server 2016 Red Hat Enterprise Linux 7 VMware
10GbE	N8104-149	Windows Server 2012 Windows Server 2012 R2 Windows Server 2016 Red Hat Enterprise Linux 7 VMware
	N8104-157	Windows Server 2012 Windows Server 2012 R2 Windows Server 2016 Red Hat Enterprise Linux 7 VMware

NOTE:

- NIC Teaming feature is not supported on iSCSI interfaces.

8.2 SAS Controller

Product Name / Description	Part Number
SAS Controller Broadcom SAS9300-8e Host Bus Adapter 12Gb/s SAS, Int. 4 / Ext. 4, 7-pin SATA / SFF-8088, PCIe 3.0 x8	N8103-184

8.3 Graphics Accelerator

Product Name / Description	Part Number
Graphics Accelerator NVIDIA NVS 315, PCI Express 2.0 (x16) 1x DVI-VGA connector, DMS-59-DVI-I branch cable included	N8105-48

NOTE:

- The standard VGA connector cannot be used when this option is installed.
- The remote KVM feature is not supported when this option is installed.

8.4 Serial Port Adapter

Product Name / Description	Part Number
Serial Port Adapter Serial port fixed to PCI bracket	N8117-01A

NOTE:

- Up to one Serial Port Adapter can be installed.

9 Other Add-in Components

9.1 Internal Battery Kit

Product Name / Description	Part Number
Internal simple UPS Control Kit Internal battery controller, including installation kit for	N8181-153
Internal simple uninterrupted power supply Battery module	N8181-152

NOTE:

- The Internal battery is available for non-redundant PSU model only.
- One kit can be installed.
- The maximum operating temperature is 40 °C / 104 ° F, if the internal battery kit is installed.
- When the internal battery kit is installed, N8106-013 VMware ESXi support kit cannot be installed.
- When the internal battery kit is installed, N8154-83F 2.5-Inch Hot Plug Drive Cage Kit cannot be installed.

9.2 Trusted Platform Module Kit

Product Name / Description	Part Number
Trusted Platform Module Kit TPM 2.0 module	N8115-23A

NOTE:

- Supported for Windows Server 2012 or later only.

NOTE:

- The kit is not available in China.
- The kit is not removable after attachment.
- "TPM Support" in BIOS setup menu must be activated prior to use of this kit.
- To use Windows BitLocker drive encryption, be sure to keep the "recovery password" of BitLocker function. The recovery password is required to restore data for hardware replacement during a system error.

9.3 Internal Flash Memory

Product Name / Description	Part Number
VMware ESXi support kit Internal USB flash memory to install VMware ESXi system	N8106-013

NOTE:

- The kit does not include VMware ESXi installation media and license.

9.4 High Temperature Support Option

Product Name / Description	Part Number
High temperature resistant Kit Required for high temperature operation over 40°C (up to 48°C)	N8181-140F

NOTE:

- To apply this option, there are some configuration limitations below.

Required System Configuration:

- See [Supported PCI cards and Installable Slots](#) for the PCI slot limitation.
 Internal RDX, optional 2.5-inch drive cage, and battery module kit must not be installed.

9.5 Input Devices

Product Name / Description	Part Number
Keyboard and Mouse Pack (US) 1 x 104-keys White USB keyboard, 1 x USB White Optical Wheel Mouse	(Standard)

10 Add-on Components

10.1 Server Management License

The server integrates the EXPRESSSCOPE Engine 3 as standard. Refer to [Server Management](#) for the standard management features. For more extensive remote KVM and remote media features, choose the following kit.

Product Name / Description	Part Number
Remote KVM and Media License Kit License for one server. Remote KVM and remote media are enabled regardless of OS status. Remote KVM: <ul style="list-style-type: none"> - Displays a graphics console on the web browser of the remote terminal (PC/server). - Controls keyboard and mouse via the remote terminals' web browser Remote media: <ul style="list-style-type: none"> - Enables the user to use the CD / DVD / FD / Flash memory of the remote terminals (PC/server) as if accessing the local drives. 	N8115-04

NOTE:

- Remote KVM and remote media features are not available for virtual machines.

10.1 Dust Proof Kit

The server supports the dust resistant feature. Choose the following kit to install the system in dusty places.

Category	Product Name / Description	Part Number
Front Bezel	Dust Proof Bezel Including 1 set of dust proof filter	N8146-74
Filter	Dust proof filter (5 pcs.) For Dust Proof filter Removal capacity of particles : Up to 1 µm-sized	N8147-23

10.2 Tamper Proof Power Button Covers

Product Name / Description	Part Number
Tamper Proof Cover For Standard Bezel Tamper proof cover to prevent erroneous operation of a power button	N8146-77

10.3 Rack Conversion Kit

Product Name / Description	Part Number
Rack Conversion Kit Convert to 3U form factor	N8143-120

10.4 Medium and Cartridge

Category	Product Name	Drive supported	Part Number
RDX	HDD	RDX Cartridge (500GB)	N8151-105
		RDX Cartridge (1TB)	N8151-105
		RDX Cartridge (2TB)	N8151-105
		RDX Cartridge (4TB)	N8151-125
			N8153-02
			N8153-03
			N8153-09
			N8153-11

References

Boot Mode Setting

The server supports Legacy mode and UEFI mode (default) as an OS Boot Mode. See the table below for the Boot Mode and X2APIC setting for each Operating System. As the default settings at the factory, UEFI mode is set as OS Boot mode and X2APIC is enabled. Refer to the User's Guide and change the settings before installing an Operating System requiring Legacy Mode.

Operating System	Supported Boot Mode	Supported X2APIC Setting
Windows Server 2012	UEFI	Enabled
Windows Server 2012 R2	UEFI	Enabled
Windows Server 2016	UEFI	Enabled
Red Hat Enterprise Linux 7	UEFI	Enabled
VMware ESXi 6.0	UEFI	Enabled
VMware ESXi 6.5	UEFI	Enabled
VMware ESXi 6.7	UEFI	Enabled

Server Management

The EXPRESSSCOPE Engine 3, integrated into the server, provides superior remote control and system management features listed in the table below.

		Standard	With Remote KVM and Media License kit
Hardware monitoring	Temperature/hard drive ¹ /fan/voltage/power consumption/ System LAN/degeneration/ (memory/hard drive ¹)	✓	✓
	Hardware configuration information collection	✓	✓
	Hardware event log collection	✓	✓
Boot monitoring	BIOS/POST stall, Booting, OS stall, shutdown	✓ ³	✓ ³
Alerting	HW error, Boot error and OS panic (by SNMP, E-Mail)	✓	✓
Remote KVM (via LAN)	POST/BIOS setup, ROM utility	✓ ²	✓
	Panic screen, Boot screen	✓ ^{2, 4, 5}	✓
	CUI-based screen (OS console)	✓ ^{2, 5}	✓
	GUI-based screen (OS console)	-	✓
	Remote Screen Video Capture	-	✓
Remote control (via LAN)	Remote reset/power on-off/ dump	✓	✓
	Remote Power Capping	✓	✓
	BIOS/BMC FW update	✓	✓
	Remote BIOS setup(partial configuration only)	✓	✓
	OS shutdown	✓ ³	✓ ³
	Remote media (CD/DVD/FD/USB)	-	✓
	CLP (Command Line Protocol) (DMTF compliant)	✓	✓
	Remote control via Web browser (multi user login at the same time)	✓	✓
	Scheduling (without UPS, require NEC ESM PRO Manager)	✓ ³	✓ ³
	BIOS setting by using XML file	✓	✓
Maintenance	EXPRESSSCOPE® Profile key (Backup/restore BIOS/BMC setup information)	✓	✓
Others	Set automatic IP address via DNS/DHCP	✓	✓
	LDAP/Active Directory verification/user control	✓	✓
	Clock synchronization of main unit and the RTC	✓	✓
	Access log collection	✓	✓
Industry Standard	IPMI support	2.0	2.0

¹ The feature is not supported on non-hot plug 3.5-inch drive.

² The optional serial port is not available for the feature.

³ The feature is not supported on VMware systems.

⁴ Monitoring boot screens is not supported on VMware systems.

⁵ In VMware systems, only the direct console user interface is supported.

OS Support Matrix for PCI Cards and Embedded Controllers

Part Number	Product Name	WS 2016	WS 2012 R2	WS 2012	RHEL 7	RHEL 6 x64	ESXI 6.7	ESXI 6.5	ESXI 6.0
		-	Embedded SATA non-RAID Controller	✓	✓	✓	✓	✓	✓
-	Embedded SATA RAID Controller	✓	✓	✓	-	-	-	-	-
-	Embedded 1GbE NIC	✓	✓	✓	✓	✓	✓	✓	✓
N8103-188	RAID Controller (RAID 0/1)	✓	✓	✓	✓	✓	-	✓	✓
N8103-176A	RAID Controller (1GB, RAID 0/1)	-	-	-	✓	-	-	-	-
N8103-177A	RAID Controller (1GB, RAID 0/1/5/6)	-	-	-	✓	-	-	-	-
N8103-178A	RAID Controller (2GB, RAID 0/1/5/6)	-	-	-	✓	-	-	-	-
N8103-205	RAID Controller (2GB, RAID 0/1/5/6)	✓	✓	✓	-	✓	✓	✓	-
N8103-206	RAID Controller (2GB, RAID 0/1, WT/WB)	✓	✓	✓	-	✓	✓	✓	-
N8103-207	RAID Controller (2GB, RAID 0/1/5/6, WT/WB)	✓	✓	✓	-	✓	✓	✓	-
N8103-208	RAID Controller (4GB, RAID 0/1/5/6)	✓	✓	✓	-	✓	✓	✓	-
N8103-210	RAID Controller (2GB, RAID 0/1, WT)	✓	✓	✓	-	✓	✓	✓	-
N8103-211	RAID Controller (2GB, RAID 0/1/5/6, WT)	✓	✓	✓	-	✓	✓	✓	-
N8105-48	Graphics Accelerator	✓	✓	✓	-	-	-	-	-
N8104-157	Dual Port 10GBASE-T Adapter	✓	✓	✓	✓	✓	✓	✓	✓
N8104-149	10GBASE SFP+ Adapter (SFP+/2ch)	✓	✓	✓	✓	✓	✓	✓	✓
N8103-184	SAS Controller	-	✓	✓	✓	✓	✓	✓	✓
N8104-152	Quad Port 1000BASE-T Adapter	✓	✓	✓	✓	✓	✓	✓	✓
N8104-151	Dual Port 1000BASE-T Adapter	✓	✓	✓	✓	✓	✓	✓	✓
N8104-150	1000BASE-T Adapter	✓	✓	✓	✓	✓	✓	✓	✓

Supported PCI cards and Installable Slots

Part Number	Product Name	Slots			
		#1	#2	#3	#4
N8103-188	RAID Controller (RAID 0/1)	-	-	-	(1)
N8103-176A	RAID Controller (1GB, RAID 0/1)	-	-	-	(1)
N8103-177A	RAID Controller (1GB, RAID 0/1/5/6)	-	-	-	(1)
N8103-178A	RAID Controller (2GB, RAID 0/1/5/6)	-	-	-	(1)
N8103-205	RAID Controller (2GB, RAID 0/1/5/6)	-	-	-	(1)
N8103-206	RAID Controller (2GB, RAID 0/1, WT/WB)	-	-	-	(1)
N8103-207	RAID Controller (2GB, RAID 0/1/5/6, WT/WB)	-	-	-	(1)
N8103-208	RAID Controller (4GB, RAID 0/1/5/6)	-	-	-	(1)
N8103-210	RAID Controller (2GB, RAID 0/1, WT)	-	-	-	(1)
N8103-211	RAID Controller (2GB, RAID 0/1/5/6, WT)	-	-	-	(1)
N8105-48	Graphics Accelerator	-	-	(1)	-
N8104-157	Dual Port 10GBASE-T Adapter	-	-	(1) ¹	(2)
N8104-149	10GBASE SFP+ Adapter (SFP+/2ch)	-	-	(1) ¹	(2)
N8103-184	SAS Controller	-	-	(1) ¹	(2)
N8104-152	Quad Port 1000BASE-T Adapter	(1) ¹	(3) ¹	-	(2)
N8104-151	Dual Port 1000BASE-T Adapter	(2)	(4)	(1)	(3)
N8104-150	1000BASE-T Adapter	(2)	(4)	(1)	(3)
N8118-307	Dual M.2 SATA Drive Installation Kit	(1)	(2)	(3)	(4)
N8117-01A	Serial Port Adapter	(2)	(4)	(1)	(3)

¹ Not installable when high temperature support option is applied.

NOTE:

SYSTEM CONFIGURATION GUIDE – NEC Express5800/T110i-S

- The number between parentheses shows the population priority (recommendation). For example, install N8103-206 in the slot #4 and N8104-157 in the slot #3 when you have those cards.
- There are PCI slot limitations depending on the processor and operating system. Please refer to the following and be careful to choose a processor and PCI cards.

PCI slot limitations

See the table below for the limitations on installing PCI cards (due to the number of interrupts that can be processed in the system) depending on the installed processor.

Processor	RAID controller required	PCI slot limitations
Pentium G4560 Xeon E3-1220v6 Xeon E3-1225v6	Yes	<ul style="list-style-type: none"> Up to two cards from the following can be installed. N8103-184 SAS Controller (up to one) N8104-152 Quad Port 1000BASE-T Adapter No limitations for other cards.
	No	<ul style="list-style-type: none"> Up to one card from N8103-184 SAS Controller can be installed. No limitations for other cards.
Other processors	-	<ul style="list-style-type: none"> No limitations for other cards.

PCI slot limitations for VMware

- Do not install N8104-152 Quad Port 1000BASE-T Adapter when any of the following cards is installed.
N8104-157 Dual Port 10GBASE-T Adapter
N8104-149 10GBASE SFP+ Adapter (SFP+/2ch)
- When N8104-152 Quad Port 1000BASE-T Adapter is installed, the number of installable N8104-150/-151 is limited up to one.
- For the configuration limitation for VMware ESXi, refer to the following documents.
 - VMware ESXi6.0
<https://www.vmware.com/pdf/vsphere6/r60/vsphere-60-configuration-maximums.pdf>
 - VMware ESXi6.5
<https://www.vmware.com/pdf/vsphere6/r65/vsphere-65-configuration-maximums.pdf>

Secure Boot Mode

This server supports Secure Boot. It is supported with UEFI Boot mode and protects the security by only allowing software programs with digital signature to run. The supported operating systems, software, and boot devices are below. The default setting of Secure Boot is disabled. Keep the setting disabled to use other operating systems and/or software.

Supported OS and Software for Secure Boot Mode

Operating System	Supported Boot Mode	Secure Boot Mode
Windows Server 2012	UEFI	✓
Windows Server 2012 R2	UEFI	✓
Windows Server 2016	UEFI	✓
Software Related to Boot	Supported Boot Mode	Secure Boot Mode
System Diagnostics Utility	UEFI	✓
EXPRESSBUILDER	UEFI	✓

Supported Boot Device for Secure Boot Mode

Supported Boot Device	Part Number
RAID controller (RAID0/1)	N8103-188 N8103-205
RAID controller (2GB, RAID0/1)	N8103-206 N8103-210
RAID controller (2GB, RAID0/1/5/6)	N8103-178 N8103-207 N8103-211
RAID controller (2GB, RAID0/1/5/6)	N8103-179
RAID controller (4GB, RAID0/1/5/6)	N8103-208

Copyright Notice and Liability Disclaimer

The information contained herein is subject to change without notice.

Microsoft and Windows Server are either registered trademarks or trademarks of Microsoft Corporation in the United States and/or other countries

Intel, Xeon and Pentium are registered trademarks or trademarks of Intel Corporation or its subsidiaries in the United States and other countries.

Linux is a trademark of Linus Torvalds.

Red Hat is a registered trademark of Red Hat, Inc. in the U.S.

All other products, brands, or trade names used in this document are trademarks or registered trademarks of their respective holders.

NEC shall not be liable for technical or editorial errors or omissions contained herein.

For hard drive capacity measurements, 1 GB = 1 billion bytes. Actual formatted capacity is less.

The USB interface is not guaranteed to work properly for all USB devices.

Revision History

Revision	Date	Description
8.0	March 28, 2019	New products added: <ul style="list-style-type: none"> RAID Controller (1GB, RAID 0/1) / N8103-176A RAID Controller (1GB, RAID 0/1/5/6) / N8103-177A RAID Controller (2GB, RAID 0/1/5/6) / N8103-178A Discontinued product deleted: <ul style="list-style-type: none"> RAID Controller (2GB, RAID 0/1/5/6) / N8103-178
7.0	December 28, 2018	Discontinued product deleted: <ul style="list-style-type: none"> RAID Controller (1GB, RAID 0/1) / N8103-176 RAID Controller (1GB, RAID 0/1/5/6) / N8103-177 Others: <ul style="list-style-type: none"> Added RAID LED Cable on M.2 SATA SSD configuration with RAID controller
6.0	November 1, 2018	New products added: <ul style="list-style-type: none"> 200GB Hot Plug 2.5-inch SATA SSD / N8150-1711 200GB Hot Plug 2.5-inch SATA SSD / N8150-1714 400GB Hot Plug 2.5-inch SATA SSD / N8150-1715 Discontinued product deleted: <ul style="list-style-type: none"> 200GB Hot Plug 2.5-inch SATA SSD / N8150-779 200GB Hot Plug 2.5-inch SATA SSD / N8150-782 400GB Hot Plug 2.5-inch SATA SSD / N8150-783 RDX Cartridge (3TB) / N8153-10 Others: <ul style="list-style-type: none"> VMware ESXi 6.7 to the list of operating system supported Updated OS support matrix
5.0	June 25, 2018	New products added: <ul style="list-style-type: none"> RAID Controller (2GB, RAID 0/1/5/6) / N8103-205 RAID Controller (2GB, RAID 0/1, WT/WB) / N8103-206 RAID Controller (2GB, RAID 0/1/5/6, WT/WB) / N8103-207 RAID Controller (4GB, RAID 0/1/5/6) / N8103-208 RAID Controller (2GB, RAID 0/1, WT) / N8103-210 RAID Controller (2GB, RAID 0/1/5/6, WT) / N8103-211 Flash Backup Unit / N8103-209 900GB 15K Hot Plug 2.5-inch SAS HDD / N8150-586 2.4TB 10K Hot Plug 2.5-inch SAS HDD / N8150-599 12TB 7.2K non-Hot Plug 3.5-inch SATA HDD / N8150-601 RAID LED CABLE / K410-444(00)
4.0	December 22, 2017	Others: <ul style="list-style-type: none"> Dust Proof Kit and related description added N8103-142 SAS Controller deleted
3.0	August 24, 2017	New products added: <ul style="list-style-type: none"> 200GB Hot Plug 2.5-inch SATA SSD / N8150-779 400GB Hot Plug 2.5-inch SATA SSD / N8150-780 800GB Hot Plug 2.5-inch SATA SSD / N8150-781 200GB Hot Plug 2.5-inch SATA SSD / N8150-782 400GB Hot Plug 2.5-inch SATA SSD / N8150-783 800GB Hot Plug 2.5-inch SATA SSD / N8150-784 1.6TB Hot Plug 2.5-inch SATA SSD / N8150-785 Discontinued product deleted: <ul style="list-style-type: none"> 200GB Hot Plug 2.5-inch SATA SSD / N8150-725 400GB Hot Plug 2.5-inch SATA SSD / N8150-726 800GB Hot Plug 2.5-inch SATA SSD / N8150-727 200GB Hot Plug 2.5-inch SATA SSD / N8150-732 400GB Hot Plug 2.5-inch SATA SSD / N8150-733 800GB Hot Plug 2.5-inch SATA SSD / N8150-734 1.6TB Hot Plug 2.5-inch SATA SSD / N8150-735 Others: <ul style="list-style-type: none"> Removed the content of the Endurance of SSD
2.0	June 6, 2017	New products added: <ul style="list-style-type: none"> 120GB M.2 SATA SSD / N8150-736 Dual M.2 SATA Drive Installation Kit / N8118-307 Graphics Accelerator / N8105-48 Others: <ul style="list-style-type: none"> Removed support information related to Windows Server 2008 R2
1.1	April 20, 2017	Others:

SYSTEM CONFIGURATION GUIDE – NEC Express5800/T110i-S

		<ul style="list-style-type: none">• Dust Proof Kit and related description deleted
1.0	April 19, 2017	Initial release
