



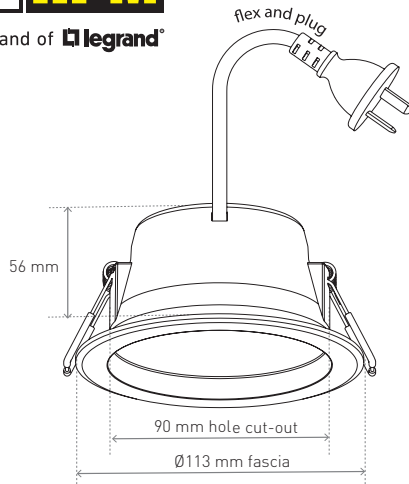
A brand of **legrand**

ALINA LED DOWNLIGHT

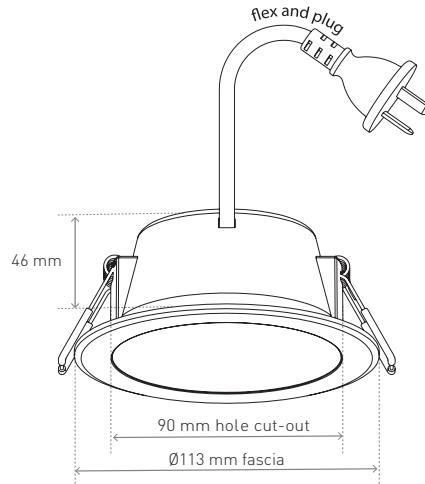
TRI COLOUR 90mm - White

Cat. No. DLIE90TRIWE (Recessed),
LDLE90TRIWE (Flush)

Instruction Manual



DLIE90TRIWE



LDLE90TRIWE



Class II Construction



Dimmable



IC-4 Insulation Rating



IC-F Insulation Rating

1 Product Specifications

Cat. No.	DLIE90TRIWE	LDLE90TRIWE
Downlight Colour	White	
Supply Voltage	230 - 240 V ~ 50 Hz	
Surge Protection	2,500 V	
Power Input	7 W	
Colour Rendering Index (CRI)	80+	
Power Factor	0.9	
Beam Angle	103°	107°
Average Lifespan	35,000 hours*	
Dimming	Dimmable > (trailing edge dimmer)	
Ambient Test Temperature	ta: 25° C	
IP Rating	IP44**	
Ceiling Cut-out Size	Ø90 mm	
Depth into Ceiling	56 mm	46 mm
Fascia Size	Ø113 mm	

LIGHT COLOUR vs LUMENS OUTPUT

Colour Temperature	Lumens Output (DLIE90TRIWE)	Efficacy	Lumens Output (LDLE90TRIWE)	Efficacy
3,000K (Warm White)	710 lm†	106 lm/W	740 lm†	110 lm/W
4,000K (Cool White)	770 lm†	118 lm/W	800 lm†	120 lm/W
5,000K (Natural White)	760 lm†	113 lm/W	790 lm†	118 lm/W

†Lumens displayed are typical values.

>For suitable dimmers, refer to dimming section.

*Rated average lifespan in open air at 25°C, actual life will vary in individual circumstances.

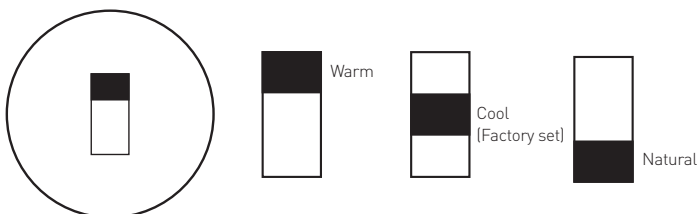
**IP Rating: Front face - when installed as per instructions.

2 Installation

1. Cut Ø90 mm hole into the ceiling.
2. Set the colour temperature (refer to colour temperature select section).
3. Connect mains plug to socket outlet.
4. Fold back spring clips and insert into cut-out.

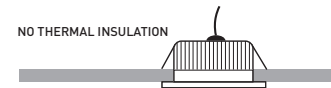
3 Colour temperature select

Set the selector switch in the desired colour temperature

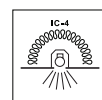


4 LED Downlight lamp life

35,000h Rated Average Lamp LED Life @ 25°C when installed with the default insulation clearances specified by AS/NZS 3000



20,000h Rated Average Lamp LED Life @ 25°C when installed with the thermal insulation abutting and covering the fixture in accordance with the IC-4 and IC-F rating specified in AS/NZS 60598.2.2



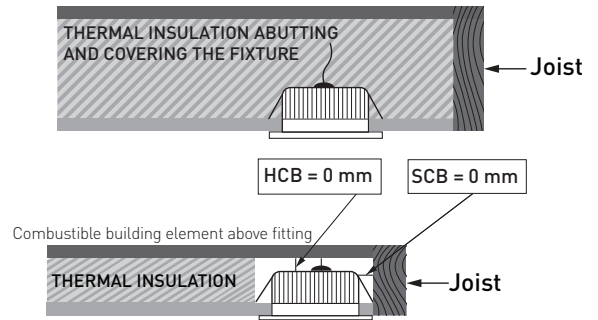
Note: This form of installation complies with the Wiring Rules AS/NZS 3000 requirement for recessed downlights, clause 4.5.2.3.1 (i).

5 Insulation Rating

This series of downlights has achieved an IC-4 and IC-F insulation rating in accordance with AS/NZS 60598.2.2.

A type IC-4 and IC-F luminaire can be installed with building insulation material that can safely be exposed continuously to temperatures up to 90°C. Such insulation can cover and abut the side of the luminaire. However, the driver's lifespan will be affected.

Refer to the diagram shown on the right for clarification.



Note: Not Suitable for use with loose-fill insulation.

If installed in accordance with the IC-4 and IC-F rating, insulation shall have a minimum temperature rating of 90°C.

No clearance is required from structural members and building elements (SCB & HCB = 0 mm).

SCB - Side Clearance to Building element: Minimum distance between the side of the recessed luminaire and any building element.

HCB - Height Clearance to Building element: Minimum distance between the top of the recessed luminaire and any building element above it.

6 Dimming

This downlights are dimmable with trailing edge dimmers only. We recommend the following dimmers only.

Cat. No.	DOWNLIGHTS QTY PER DIMMER	DIMMING RANGE
Legrand EM400A3P, AR400A3P	12 max	2% - 93%
Legrand EM400A2P	12 max	14% - 82%
Legrand EM400T, AR400T	12 max	13% - 92%
HPM 400T	12 max	13% - 92%
Legrand EM250T	8 max	13% - 93%
HPM 250T	8 max	13% - 93%
HPM 700T	21 max	25% - 95%
HPM1000T	30 max	29% - 92%

Product Notes

1. This product must be installed and used as per these instructions. **2.** An IP rating of IP44 is generally considered suitable for external walls with supplementary protection such as overhanging eaves. **3.** The IP rating of this product is only valid when installed on a flat and non-porous surface. Additional sealing may be required for irregular surfaces. **4.** This product contains no serviceable parts and no attempt should be made to repair this product. If the product is faulty it should be discarded. **5.** This product is not suitable for installation in hazardous and/or corrosive areas. **6.** Electrical installations periodically receive transient over-voltages. This product has been designed to minimise the effect of such voltages on connected equipment. It may not give full protection for extreme over-voltage transients such as those resulting from a close lightning strike. **7.** This product is designed to mitigate the influence of ripple control frequencies used on the electricity supply network. There may be circumstances where flicker may be introduced by other sources of interference and cannot be discounted. **8.** Extended exposure to UV rays (such as exposure to direct sunlight) may cause discolouration of this product. **9.** The material in this product may vary in colour from batch to batch. Colour matching from one batch to another cannot be guaranteed. **10.** This product utilises intellectual property in the form of registered designs, trademarks, and/or patents. Such intellectual property remains the property of Legrand in all cases. **11.** Legrand reserves the right to modify the specification of this product at any time.

Warranty

- Legrand ("we or us") has given each purchaser who is a consumer ("you") a warranty against defects in its products.
- As a consumer, you are entitled to the benefit of the Warranty and should read and understand its terms. In addition, for the purposes of the Australian and New Zealand Consumer Laws, we note the following:
 - If we accept your claim under the Warranty we will reimburse all your reasonable expenses in making and pursuing the claim, including the cost of reimbursement of any defective products returned in the ordinary course to us at the address above by post or other agreed means. Any such claim must be made within 14 days of your receiving notice of our acceptance of your claim and include any necessary supporting documentation or invoices.
 - As a consumer, you have rights under the Australian and New Zealand Consumer Laws and may have rights under other applicable laws which cannot be excluded, restricted or modified. Those rights are in addition to any rights you have under the Warranty.
 - Legrand warrants this product for a period of 3 years from the date of purchase. Our goods (which we refer to in the Warranty as the Products) come with guarantees that cannot be excluded under the Australian and New Zealand Consumer Laws. You are entitled to a replacement or a refund for a major failure and compensation for any other reasonably foreseeable loss or damage. You are also entitled to have the goods repaired or replaced if the goods fail to be of acceptable quality and the failure does not amount to a major failure.
- Our contact details for the purpose of any claims made under the Warranty are below. Any claim under the Warranty must be sent in writing to the following address:

<p>AUSTRALIA ONLY Legrand Australia Pty Ltd Nexus Industry Park Bldg 4, 43-47 Lyn Parade PRESTONS, NSW 2170 1300 369 777 sales.orders@legrand.com.au</p>	<p>NEW ZEALAND ONLY Legrand New Zealand Ltd 106-124 Target Rd GLENFIELD, AUCKLAND 0800 476 009 nz.sales@legrand.co.nz</p>
---	---

