

SUN2000-100KTL-M1

Smart String Inverter



10
MPP Trackers



98.8% (@480V)
Max. Efficiency



String-level
Management



Smart I-V Curve
Diagnosis Supported



MBUS
Supported



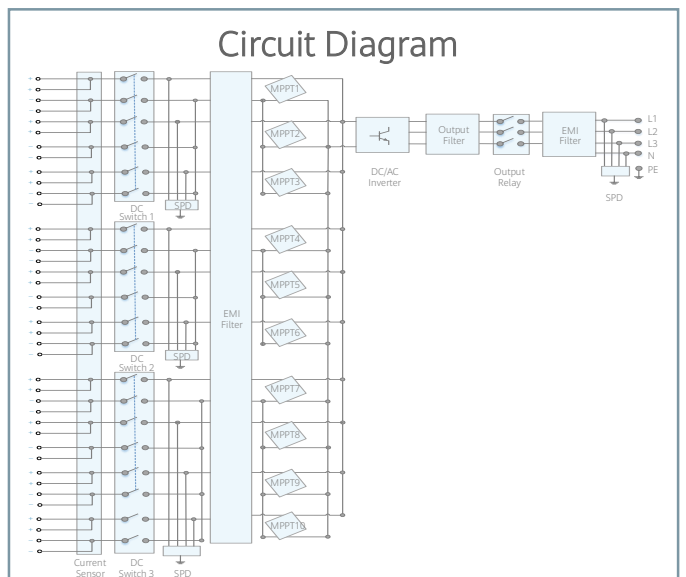
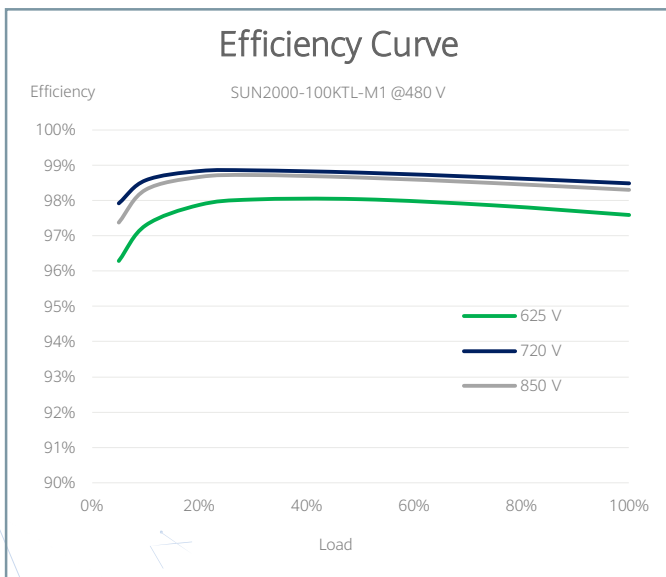
Fuse Free
Design



AFCI
Optional



IP66
Protection



Technical Specifications

Efficiency	
Max. Efficiency	98.8% @480 V, 98.6% @380 V / 400 V
European Efficiency	98.6% @480 V, 98.4% @380 V / 400 V
Input	
Max. Input Voltage	1,100 V
Max. Current per MPPT	26 A
Max. Short Circuit Current per MPPT	40 A
Start Voltage	200 V
MPPT Operating Voltage Range	200 V ~ 1,000 V
Nominal Input Voltage	720 V @480 Vac, 600 V @400 Vac, 570 V @380 Vac
Number of Inputs	20
Number of MPP Trackers	10
Output	
Nominal AC Active Power	100,000 W
Max. AC Apparent Power	110,000 VA
Max. AC Active Power (cosφ=1)	110,000 W
Nominal Output Voltage	480 V/ 400 V/ 380 V, 3W+(N)+PE
Rated AC Grid Frequency	50 Hz / 60 Hz
Nominal Output Current	120.3 A @480 V, 144.4 A @400 V, 152.0 A @380 V
Max. Output Current	133.7 A @480 V, 160.4 A @400 V, 168.8 A @380 V
Adjustable Power Factor Range	0.8 LG ... 0.8 LD
Max. Total Harmonic Distortion	< 3%
Protection	
Input-side Disconnection Device	Yes
Anti-islanding Protection	Yes
AC Overcurrent Protection	Yes
DC Reverse-polarity Protection	Yes
PV-array String Fault Monitoring	Yes
DC Surge Protection ¹	Yes
AC Surge Protection ¹	Yes
DC Insulation Resistance Detection	Yes
Residual Current Monitoring Unit	Yes
Arc Fault Protection	Optional
Communication	
Display	LED Indicators, WLAN + APP
USB	Yes
MBUS	Yes (isolation transformer required)
RS485	Yes
General	
Dimensions (W x H x D)	1,035 x 700 x 365 mm (40.7 x 27.6 x 14.4 inch)
Weight (with mounting plate)	90 kg (198.4 lb.)
Operating Temperature Range	-25°C ~ 60°C (-13°F ~ 140°F)
Cooling Method	Smart Air Cooling
Max. Operating Altitude without Derating	4,000 m (13,123 ft.)
Relative Humidity	0 ~ 100%
DC Connector	Staubli MC4
AC Connector	Waterproof Connector + OT/DT Terminal
Protection Degree	IP66
Topology	Transformerless
Standard Compliance (more available upon request)	
Certificates	EN 62109-1/-2, IEC 62109-1/-2, EN 50530, IEC 62116, IEC 61727, IEC 60068, IEC 61683

1: Compatible Type II protection class according to IEC / EN 61643-11