



SERVICE GUIDE

MagIQtouch & MagIQcool Controller compatible
Breezair, Braemar & Coolair models 2015/2016

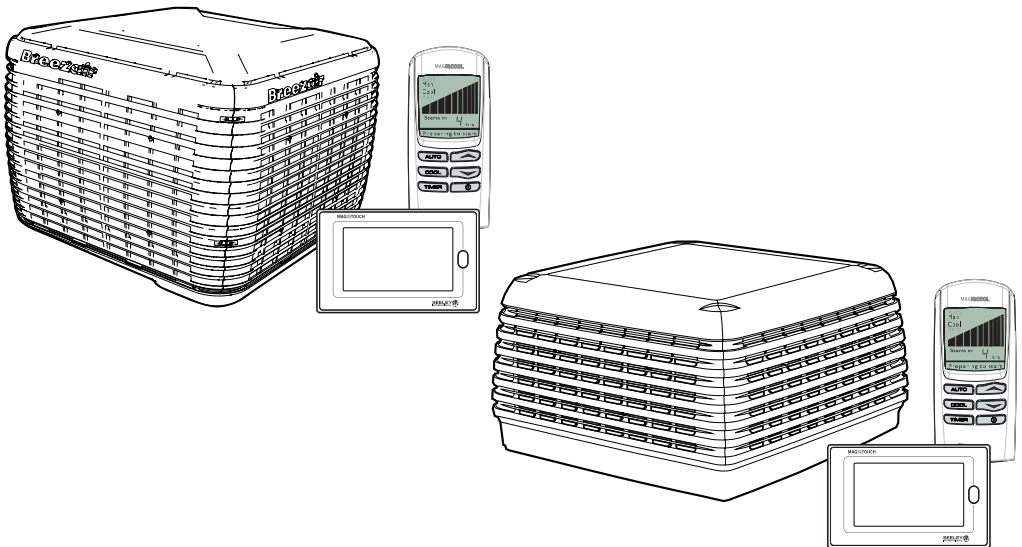


TABLE OF CONTENTS

MAGIQTOUCH/MAGIQCOOL COMPATIBLE EVAPORATIVE COOLERS	5
COMMUNICATION CABLE	5
COMMISSIONING	5
FAULT MANAGEMENT	5
USER OPERATION	5
MAGIQTOUCH CONTROLLER	6
MOUNTING LOCATION	6
CABLE LENGTHS	6
MAGIQTOUCH AIR SENSOR	7
MOUNTING LOCATION	7
MOUNTING OPTIONS	7
MAGIQTOUCH LINK MODULE	8
MOUNTING A LINK MODULE IN ENCLOSURE	8
CONNECTING CABLES	9
SETTING DIPSWITCH	9
UNDERSTANDING THE MAGIQTOUCH SYSTEM	10
COMPONENT ADDRESSES	10
BEFORE POWER-UP	10
SYSTEM DIAGRAMS	11
SINGLE EVAPORATIVE COOLER	11
GAS DUCTED HEATER (+ OPTIONAL ADD-ON COOLER)	11
MULTIPLE EVAPORATIVE COOLERS	12
INSTALLATION OPTIONS	14
DEFAULT SINGLE COMPONENT	14
MULTIPLE COMPONENTS	14
INSTALLATION WIZARD	14
PHASE 1 - SYSTEM DEFINITION	14
PHASE 2 - INSTALLATION	14
CONTROLLER OR SYSTEM RESET	15
SETTINGS MENU	16
GENERAL MENU	16
COOLER MENU	17
SERVICE MENU	17
MANAGING FAULTS	17
FAULT CATEGORIES	18
SERVICE MENU	18
SERVICE OPERATING SCREEN	19
COOLER ELECTRONICS BOX	19

TABLE OF CONTENTS cont

MANAGING COMPONENTS	19
ADDING COMPONENTS	19
REPLACING COMPONENTS	20
REMOVING COMPONENTS	20
MAGIQCOOL CONTROLLER - ENTERING PARAMETER MODE	21
MANAGING THE MAGIQTOUCH CONTROLLER	22
PRE-USED CONTROLLER	22
NEW CONTROLLER TO AN EXISTING SYSTEM	22
MAGIQTOUCH TO MAGIQCOOL CONTROLLER	22
MAGIQCOOL TO MAGIQTOUCH CONTROLLER	22
BREEZAIR EXQ / EZQ / EXS EVAPORATIVE COOLER	23
QUICK REFERENCE GUIDE	23
COOLER ELECTRONICS	24
CONFIGURATION OF DRAIN VALVE WITH SHORTING PLUG	24
DIAGNOSTIC FAULT CODES	25
LED#1 HALL EFFECT SENSORS	25
LED#2 MOTOR THERMAL OVERLOAD	25
LED#3 FAN SPEED	26
LED#4 MAINS POWER	26
DIAGNOSTIC LED	27
SALINITY LED	27
FAN MOTOR TESTING	28
FAN MOTOR REMOVAL	28
FOR EXQ130 & EXS140 COOLERS ONLY	29
REFITTING THE PAD FRAMES EXQ/EXS/EZQ	32
BRAEMAR LCQ / LCS / BMQ & COOLAIR CPQ EVAPORATIVE COOLER	33
QUICK REFERENCE GUIDE	33
DIAGNOSTICS FAULT CODES	35
FAULT CODE 01	35
FAULT CODE 02	35
FAULT CODE 04	35
FAULT CODE 07	36
FAULT CODE 08	36
REFITTING THE PAD FRAMES LCQ/LCS	36
PREWET FUNCTION	37
WATER COMPONENT TESTING	38
WATER SALINITY PROBE TESTING	38
SETTING THE WATER LEVEL	39

TABLE OF CONTENTS cont

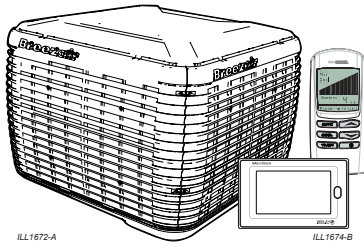
SEASONAL MAINTENANCE PROCEDURES AND CHECKS	40
TECHNICAL BULLETINS	42
A01/12 SEELEY SERVICE MEMO	43
A05/15 IMPORTANT INFORMATION FOR INSTALLERS	44
A17/14 MAGIQTOUCH CONTROLLER INSTALLATION TIPS	45
A12/14 BREEZAIR EXS PAD CONFIGURATION	46
ICON CONTROL BOX FAN SPEED LED BEHAVIOUR	47
A02/09 CIRCUIT PROTECTION FOR ICON	48
A13/08 ICON ELECTRICAL SUPPLY REQUIREMENTS	49
A16/08 WATER DISTRIBUTION HOSE CONNECTIONS	50
A06/07 FEAC WATER SUPPLY REQUIREMENTS	51
NOTES	52
MAGIQTOUCH SYSTEM TROUBLESHOOTING GUIDE	53
FREQUENTLY ASKED QUESTIONS	55
MAGIQTOUCH CONTROLLER	55
EVAPORATIVE COOLER	57

MAGIQTOUCH/MAGIQCOOL COMPATIBLE EVAPORATIVE COOLERS

The previous Breezair and Braemar range has been replaced with MagIQtouch and MagIQcool compatible models.

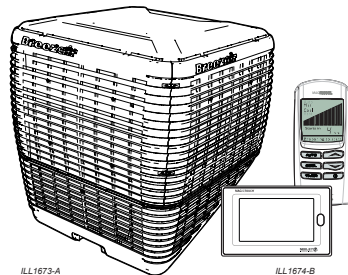
Previous Model	New Model	Default Wall Control
EXH	EXQ, EXS	MagIQtouch
EZH	EZQ	MagIQtouch
LCB	LCQ, LCS	MagIQtouch
CPL	CPQ	MagIQcool
BM	BMQ	MagIQcool

The MagIQcool controller has all the features of older wall controls, but can connect to RJ12 controls used in MagIQtouch coolers. It is offered as an entry level controller for evaporative cooler installations.



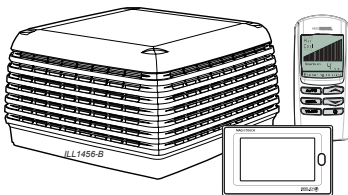
ILL1672-A

ILL1674-B



ILL1673-A

ILL1674-B



ILL1456-B

ILL1674-B

Introduction of the MagIQtouch controller brings the following changes:

COMMUNICATION CABLE

- **Cable type**
26AWG 7/0.16, 6 core flat communication cable with 6P/6C RJ12 plug connections (not backwards compatible with previous models)
- **Cable lengths**
Maximum recommended cable lengths changed due to increased power requirements of the MagIQtouch controller. Maximum cable length from controller to first cooler is 25m. (Each cooler is supplied with a 20m cable ex factory).

COMMISSIONING

- **Installation Wizard**
The introduction of a step by step Installation Wizard displayed on the MagIQtouch controller to assist with commissioning. (**NOTE:** Installation Wizard is only available with MagIQtouch controllers).

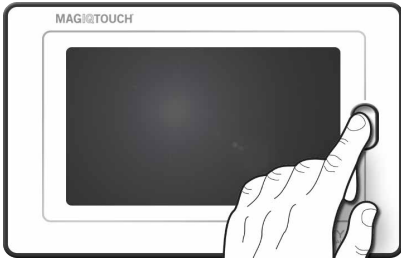
FAULT MANAGEMENT

- **Fault display**
Displayed with full explanation and service contact details.
- **Fault resolution**
Service menu assists with diagnosing faults, troubleshooting instructions, and retrieving component information.
- **Component testing**
Service Operating Screen provides full control of all water management components on a single screen, making testing easier.
- **Removing/Replacing MagIQtouch products**
Automatic detection & step by step on screen instructions.

USER OPERATION

- Clearer, more intuitive touch screen interface for easy operation
- New operation features (e.g. 7 day program)

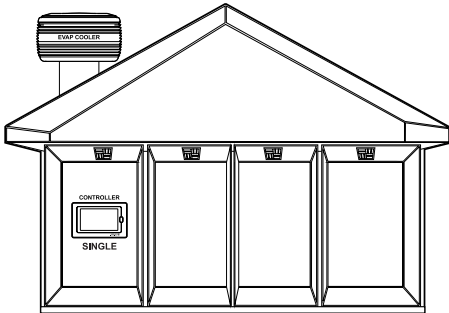
MAGIQTOUCH CONTROLLER



ILL1521-B

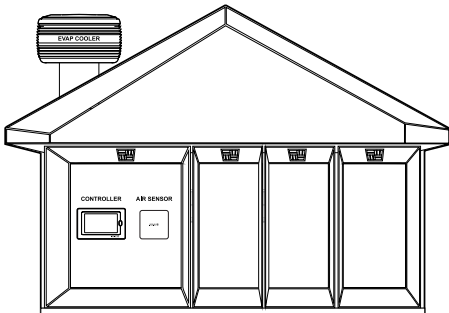
With a touch screen user interface and inbuilt temperature sensor, the MagiQtouch controller will operate Seeley International's new range of Breezair and Braemar models, including EXQ, EZQ, EXS, LCQ and LCS models. BMQ and CPQ coolers can be upgraded to the fully featured MagiQtouch controller.

The MagiQtouch controller can be used on its own to operate an evaporative cooler.



ILL1828-A

A single MagiQtouch controller can also be used with a MagiQtouch Air Sensor, which provides more flexibility with the mounting location of the controller.



ILL1831-A

MOUNTING LOCATION

The MagiQtouch controller, with in-built temperature sensor, should be placed approximately 1.5m above the floor, in the most used room of the home.

Placement is critical for correct functioning of the temperature sensing thermostat inside the controller.

The following points must be taken into consideration:

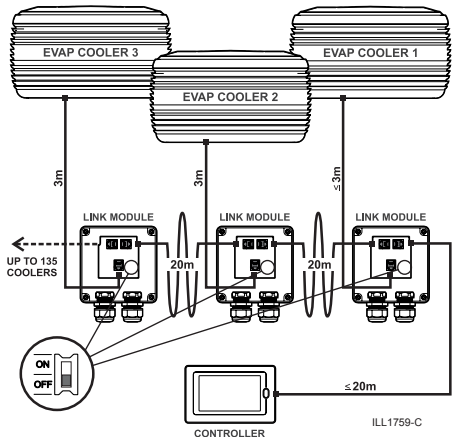
- Avoid direct sunlight exposure.
- Avoid mounting on external walls.
- Avoid mounting the wall control near heat sources such as stoves and televisions.
- Do not locate in the direct airflow of the duct outlets.
- Do not locate in strong drafts or in dead spots such as cupboards/drawers.
- Always seal the cable entry hole. Hot or cold air coming through the wall may interfere with the temperature measurement.

If a MagiQtouch Air Sensor is to be installed with a single controller, the above location instructions should be applied to the Air Sensor. In this case, the controller location is not important.

CAUTION! Always make sure there are no electrical cables, gas or water pipes, or the like, behind where you intend to drill.

CABLE LENGTHS

The maximum recommended cable length is 25m from MagiQtouch controller to first cooler. This is to ensure adequate power is delivered to the controller for correct operation.



ILL1759-C

MAGIQTOUCH AIR SENSOR



ILL1804-A

The MagiQtouch Air Sensor is an optional extra product which allows more flexibility with where the MagiQtouch controller is mounted. Each controller has a temperature & humidity sensor mounted inside it which dictates how the cooler operates. In the past, this has restricted the locations where the controller could be mounted for successful operation of the cooler.

This optional Air Sensor allows the controller to be mounted in a location not ideal for temperature sensing (e.g. cupboard, hallway, etc.). The installer can set up the MagiQtouch controller to take temperature and humidity readings from this external sensor and run the cooler accordingly.

Details of the MagiQtouch Air Sensor kit are as follows:

**094328
MagiQtouch Air Sensor**

Contents	
Qty	Description
1	MagiQtouch Air Sensor
1	Communication Cable (20m)
2	Long Screws
2	Short Screws
2	Wall plugs

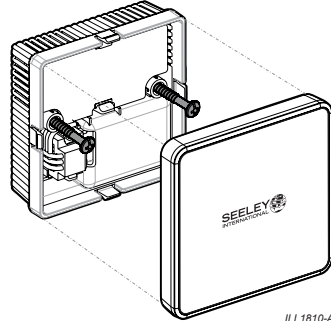
MOUNTING LOCATION

The Air Sensor will be used instead of the MagiQtouch controller for temperature sensing. Follow the mounting location instructions in the MagiQtouch controller section.

MOUNTING OPTIONS

Screw Boss Mounting

If permanently fixing the sensor, pull off the front panel to expose the 2 screw bosses inside.

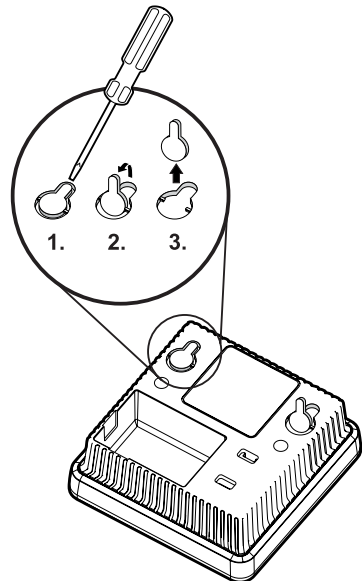


ILL1810-A

Keyhole Mounting

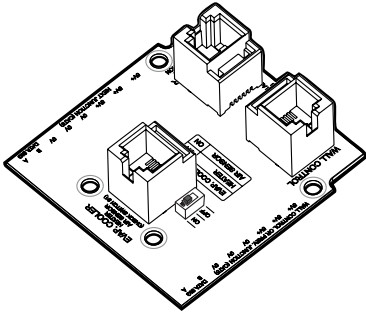
If using the keyhole mounting method, first remove the break-out pieces using a small screw driver to lever upwards. The piece can then be pulled out.

Important! Be careful not damage the electronics board inside the sensor when removing the break-outs. Do not punch inwards, but twist and pull out!



ILL1811-A

MAGIQTOUCH LINK MODULE



ILL1790A

The MagiQtouch Link Module is a small “T-junction” electronics board, mounted in its own waterproof enclosure, which is used to connect multiple MagiQtouch products together.

094274 MagiQtouch Link Module in Enclosure

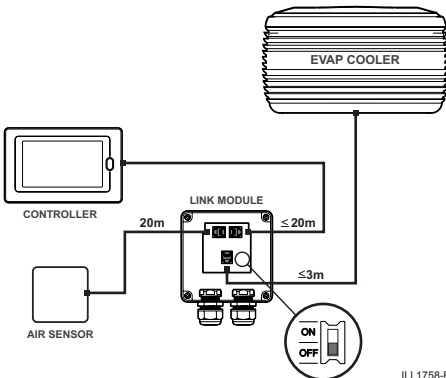
Contents	
Qty	Description
1	MagiQtouch Link Module in Enclosure
1	Communication Cable (3m)
1	Literature

No Link Module is required for a simple 1 cooler, 1 controller installation.

However, Link Modules are required in the following scenarios:

Scenario A

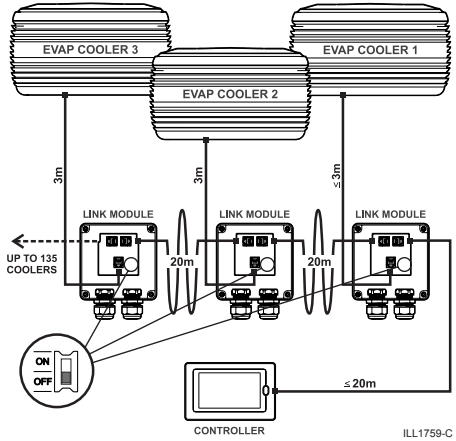
1 x MagiQtouch Air Sensor requires 1 x Link Module.



ILL1758-B

Scenario B

Multiple cooler installations require 1 x Link Module per cooler (i.e. 3 x coolers requires 3 x Link Modules).

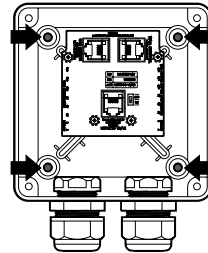


ILL1759-C

MOUNTING A LINK MODULE IN ENCLOSURE

Drill out 4 mounting holes located inside the enclosure.

Mount the enclosure as required using the 4 mounting holes.



ILL1751-A

If mounting in an exposed or humid location, ensure that the cable glands are facing downwards.

Caution! Extra low voltage communication cable should be located away from power cables. Cross power cables perpendicularly, never run alongside.

Cover screw heads with the provided caps to seal the enclosure.

MAGIQTOUCH LINK MODULE

cont

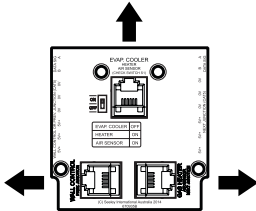
CONNECTING CABLES

Each connector on the board is labelled with possible connection options, listed in order of priority. Always use the top option where possible.

Important! Correct cable connection is essential for successful operation of the system!

The illustration below indicates connection priorities.

- 1. EVAPORATIVE COOLER
- OR
- 2. HEATER
- OR
- 3. AIR SENSOR

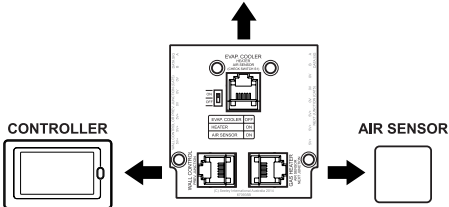
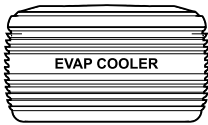


- 1. WALL CONTROL (MAGIQTOUCH CONTROLLER)
- OR
- 2. PREVIOUS JUNCTION (PREVIOUS LINK MODULE)*

- 1. GAS HEATER
- OR
- 2. AIR SENSOR
- OR
- 3. NEXT JUNCTION (NEXT LINK MODULE)*

ILL1754-B

Example:

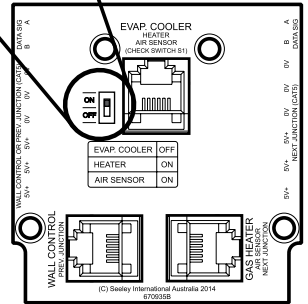
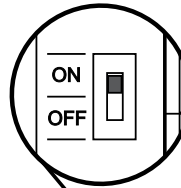


ILL1829-A

SETTING DIPSWITCH

After connecting the cables, ensure the dipswitch is set correctly. The following table indicates how the dipswitch should be set depending on what product is connected next to it.

Cable Connected To	Set Switch To
Evaporative Cooler	OFF
Gas Ducted Heater	ON
MagiQtouch Air Sensor	ON



ILL1757-A

UNDERSTANDING THE MAGIQTOUCH SYSTEM

COMPONENT ADDRESSES

Each MagIQtouch component (e.g. cooler, heater, controller or sensor) leaves the factory with a default address. During the installation process, each MagIQtouch component in the system must be assigned a UNIQUE address!

Important! For this reason certain MagIQtouch components of the same type must be powered and/or connected ONE AT A TIME otherwise communication will be corrupted!

Important! This also means that any MagIQtouch component being introduced to an existing installation must be set to the default factory address. If it has been used in another installation, it must be RESET (refer page “MANAGING COMPONENTS” on page 19).

Note! Link Modules are an exception to this rule. Link modules provide a T-junction to connect MagIQtouch components into the main communication line. The controller communicates through, and not directly to, the link module and therefore is not given an address.

BEFORE POWER-UP

To ensure the MagIQtouch component addressing process is completed correctly, the following must be done before power up of the controller:

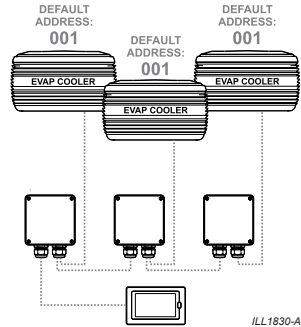
If there are no more than 1 of each component type (e.g. 1 cooler, 1 heater, 1 air sensor), then ensure all are correctly connected before power up of the appliance connected to the controller.

If there are 2 or more evaporative coolers, ensure only the first is both connected and powered when connecting the controller for the first time.

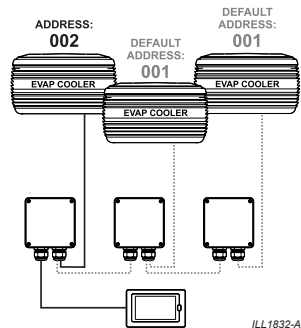
(**Note!** It is possible to have the remaining coolers connected, as long as they are non-powered - or vice versa.)

If there are any link modules, zone controls, single air sensors or slaves, ensure that all are connected, powered (where relevant) and any dipswitches are set correctly! (More details to follow in later slides)

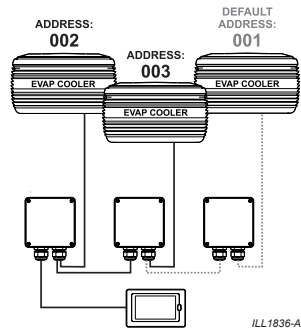
Step 1



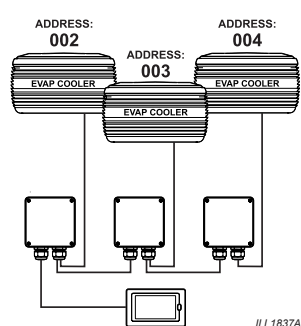
Step 2



Step 3

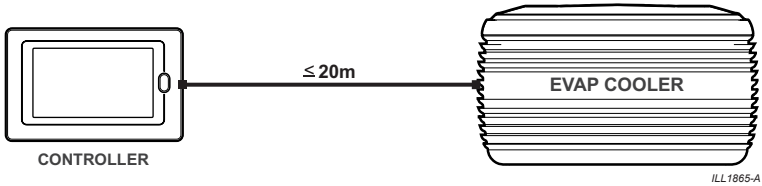


Step 4



SYSTEM DIAGRAMS

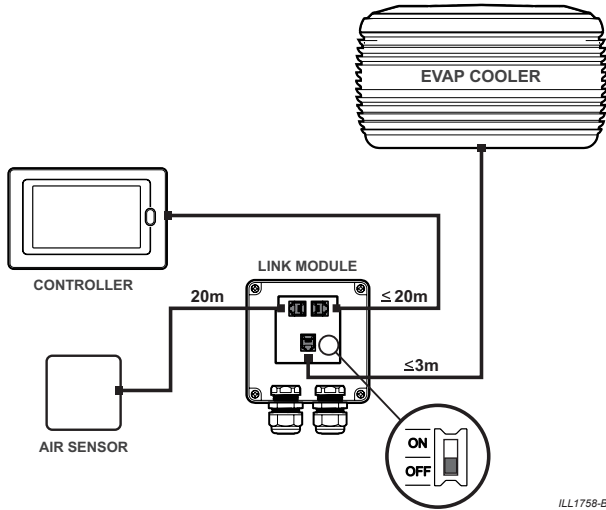
SINGLE EVAPORATIVE COOLER



Major Appliances:

Appliance	Included With Appliance	Qty.
Evaporative Cooler	MagIQtouch Controller & 20m Cable	1

GAS DUCTED HEATER (+ OPTIONAL ADD-ON COOLER)



Major Appliances:

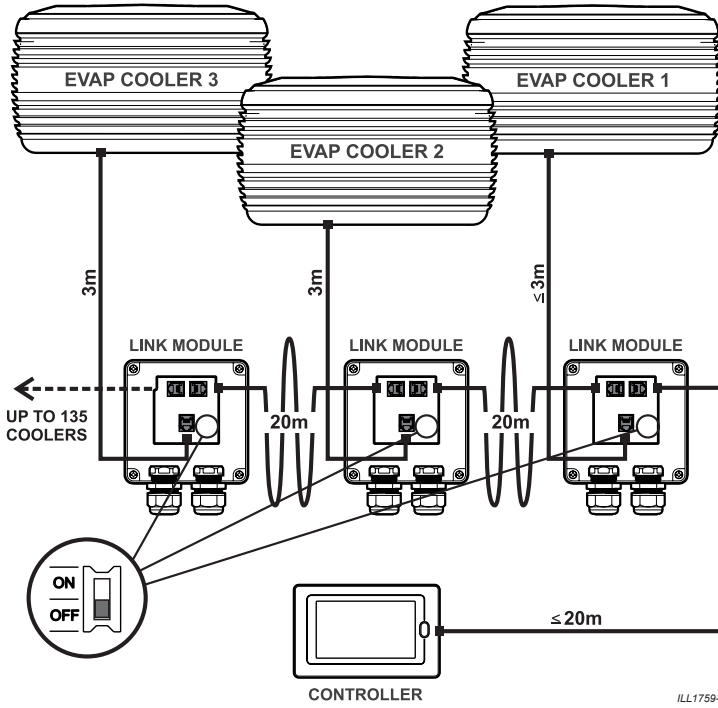
Appliance	Included With Appliance	Qty.
Evaporative Cooler	MagIQtouch Controller & 20m Cable	1

Additional Kits Required

P/N	Description	Cable Inc.	Qty.
094328	MagIQtouch Air Sensor	20m	1
094274	MagIQtouch Link Module, in Enclosure	3m	1

SYSTEM DIAGRAMS cont

MULTIPLE EVAPORATIVE COOLERS



ILL1759-C

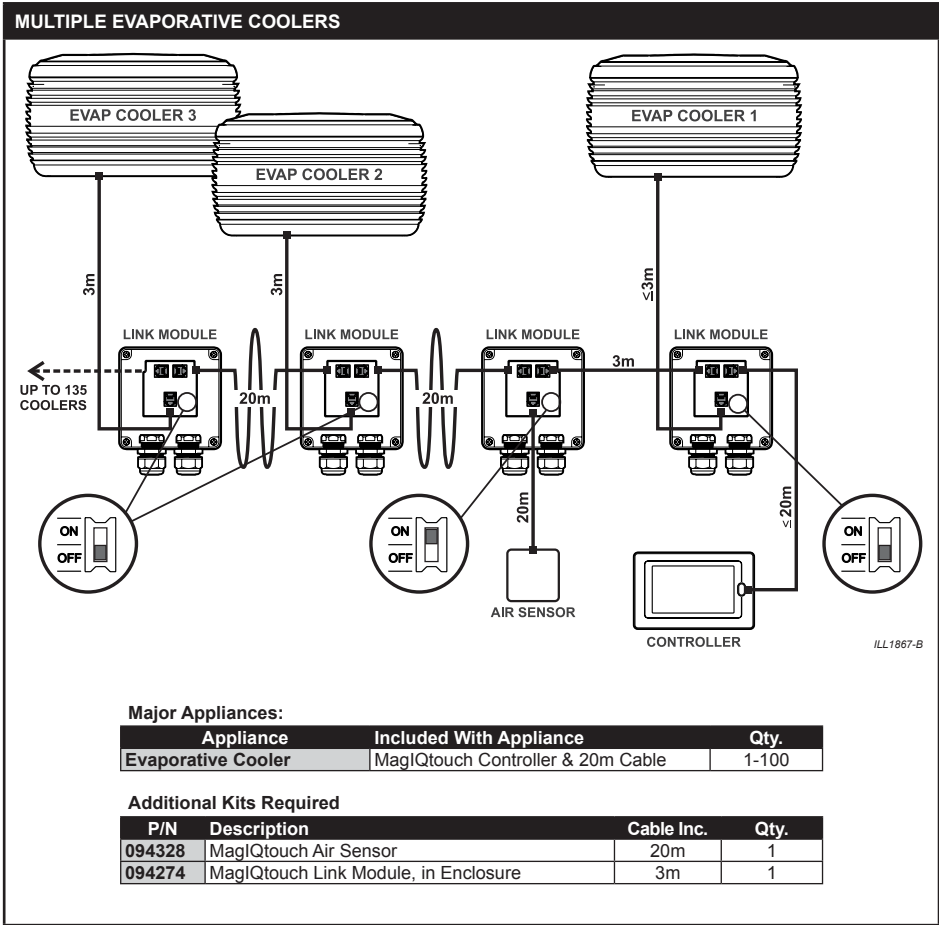
Major Appliances:

Appliance	Included With Appliance	Qty.
Evaporative Cooler	MagiQtouch Controller & 20m Cable	1 x Cooler

Additional Kits Required

P/N	Description	Cable Inc.	Qty.
094274	MagiQtouch Link Module, in Enclosure	3m	1 x Cooler

SYSTEM DIAGRAMS cont



INSTALLATION OPTIONS

DEFAULT SINGLE COMPONENT

The first screen of the System Definition phase gives the below options:



ILL1783-A

DEFAULT SINGLE COMPONENT can be used for an installation containing only a single cooler (or heater without zones), without sensors, and where the installer wants to apply only default settings.

No further definition is required. The installation process is completed automatically by the controller.

MULTIPLE COMPONENTS

For all other installation types the MULTIPLE COMPONENTS option must be selected.

This will commence the Installation Wizard which steps through the steps of System Definition and Installation.

INSTALLATION WIZARD

PHASE 1 - SYSTEM DEFINITION

For multiple component systems the installation wizard begins with a “System Definition” phase. The installer must define exactly what components will be installed. The screens that follow will depend on what has been defined.



ILL1861-A



ILL1611-B

PHASE 2 - INSTALLATION

Do not worry about memorising a particular sequence of screens for this process. The steps and screens the controller moves through may change depending on the installation. Simply follow the instructions displayed on the screen.

Just remember... Do not power-up/connect components until instructed to do so by the controller!

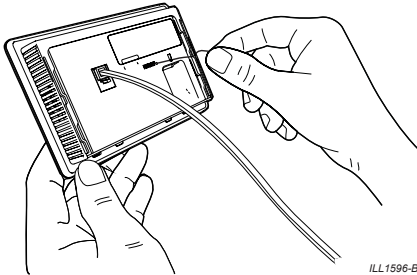
And if the controller can't detect a component or comes across a fault, it will tell you and give instructions of how to fix the problem.

If any problems occur during the installation phase it is possible to reset the whole system and start again from the beginning.

CONTROLLER OR SYSTEM RESET

It is possible to reset the whole system (including all connected components) or the controller only.

Use a pin or paperclip to press and hold the reset button located at the back of the controller.

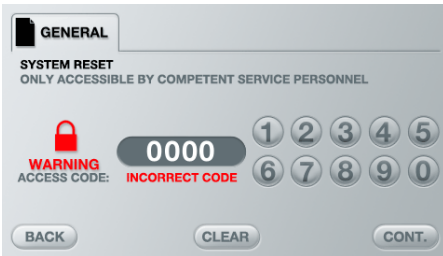


ILL1596-B

This will cause the following screens to appear:

Some settings are protected by an access code to prevent customers changing important parameters

The access code is 7378.



ILL2126-A

Note! Resetting the whole system will mean that every component connected to the wall control will be given the factory default address. After resetting a whole system it will be necessary to go through the 'System Installation Wizard' again from the start.



ILL1632-A

SETTINGS MENU



The SETTINGS menu in the MagIQtouch replaces the parameters menu used in the past controllers.

Some settings are protected by an access code to prevent customers changing important parameters

The access code is 7378.



The SETTINGS menu contains a GENERAL menu relating to the Controller and the system as a whole, COOLER and HEATER menus depending on what has been installed, and a SERVICE menu containing component details and fault information.

Note! The controller will only display the menus and menu items that are relevant to the installed system.

Navigate through the menus by tapping the heading tabs at the top of the screen.



GENERAL MENU

Time and Date

Set or adjust time and date.

Language

Set language (more languages coming soon).

°C / °F (temperature unit)

Select the unit to be used for the system temperature.

Child Access Lock

Restrict access to any system change by applying a pin code.

Standby Screen Brightness

Adjust screen brightness when controller goes into sleep mode.

Status information Display

For troubleshooting & diagnostics.

Air Sensor Selection (when Air Sensor is fitted)

Select Air Sensor to overdrive sensor in wall controller.

Software Revision

Display MagIQtouch controller software revision. (Software revision 21R0415 and higher are compatible with TQ heaters and Invertair Add on coolers).

Simple Mode Lock

Lock the operation screen to "Simple Display" unless the "MORE" button is pressed and held.

Shut Down Timer

When activated, the function will automatically switch off the running appliance after the time duration specified.

Auto Restart

Automatically restarts after power failure in the last mode it was running in.

Temperature Calibration

Apply an offset to the temperature sensor as required.

Install Add On Cooler

Option to add a fixed speed or inverter add on cooler when a heater is used in the system.

System Configuration

View or modify components installed within the system. For more information see "MANAGING COMPONENTS" section.

System Reset

Reset either the controller only or the whole system (including controller and all coolers/heaters/components) connected within the system.

SETTINGS MENU cont

COOLER MENU

The COOLER menus include settings or information related to the specific Seeley International cooling products installed within the system.

More information about the specific settings of these products is provided in the separate product installation guide.



About Appliance

Displays information such as model number, serial number and software version for all coolers connected to the controller.

Min/Max Set Temperature

Defines the maximum and minimum temperature values.

Night Quiet Mode

Restricts fan speed to a specified level during a specified night period.

Humidity Control (when Air sensor is connected)

Set desired humidity levels.

Manual Drain

Turns cooler off and drains the tank.

Pad Flush

Turns cooler off and runs pump for a specified amount of time.

Drain And Dry

Cooler will drain and fan will run for 1 hour every day at a specified time.

Water Manager

Select the preferred water management method:

- Salinity Measurement - replaces water when Salinity level reaches set point.
- Timed Drain - drains Tank After 8 tank fill cycles or every 1-2 hours (system dependant).
- No Drain Control - salinity control external to electronics eg. continuous bleed.
- No Water Thermostatic - allows Thermostatic control in VENT mode. No water present. Cooling performance is limited.

Weather Seal Open Speed

The cooler fan will turn on at the specified weather seal opening speed for the first 10 seconds each time it starts up. It will then return to the set fan speed.

Prewet

When COOL mode is activated, the pump will run for 90 seconds before the fan is switched on.

Salinity Level

Sets the salinity level at which the tank will drain in "SALINITY MEASUREMENT" mode.

Tank Drain Delay

Sets the time delay before the drain valve opens after the pump in the cooler is turned off.

Autoclean

Select the preferred cleaning interval (50 / 100 / 200 hrs). At 8.00am after the selected running hours has been reached, the cooler will drain the tank, fill with fresh water and operate the pump for 5 minutes. When complete, drains the tank and returns to previous operation mode. This feature is only available on selected Breezair products.

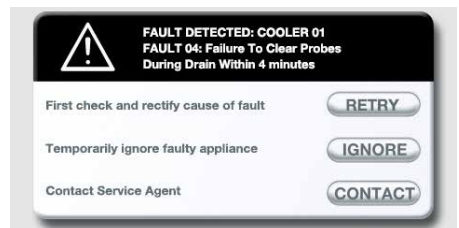
SERVICE MENU

The SERVICE menu contains information and functions for competent service personnel.

For more details refer to the MANAGING FAULTS section.

MANAGING FAULTS

When a component in the system experiences a fault, the controller will be notified and a fault screen will appear. The operator can then chose to resolve the issue or ignore it.



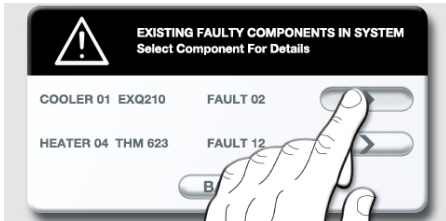
MANAGING FAULTS cont

So long as a fault remains in the system, a small fault icon will be displayed at the right hand side of the lower taskbar.



ILL1642-B

By pressing this icon, the operator can access information about all current faults



ILL1643-B



ILL1644-B

FAULT CATEGORIES

Faults fall into four categories:

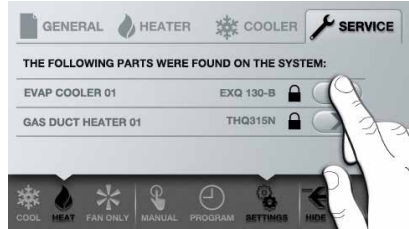
- 1. Auto Reset Fault** – a minor fault that is not communicated to the operator but is recorded in the fault history.
- 2. Running Fault** - this fault allows the component to operate, with reduced functionality. If the fault is resolved, the fault icon will no longer be displayed in the lower taskbar.
- 3. Service Fault** – a serious fault which will cause the component in question to shut down but may be resolved by the user.
- 4. Service Agent Fault** – a serious fault which will cause the component to shut down and requires a service agent to resolve.

SERVICE MENU

The SERVICE menu contains information and functions for competent service personnel.

Each cooler installed within the system is listed under the SERVICE menu.

A fault symbol appears next to the component name when a fault exists.



ILL1624-B

Access to each cooler is locked with a service pin code. The pin code is 7378.



ILL1625-A

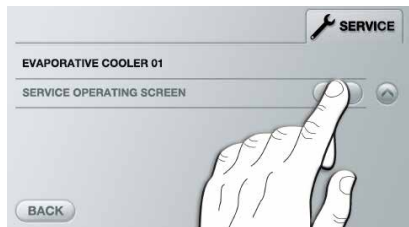
Once the pin code is entered you will have access to component specific information.

This information includes:

- About Appliance
- Fault Log
- Running History
- Last Known Operating Condition
- Service Operating Screen

SERVICE OPERATING SCREEN

The 'Service Operating Screen' for each component installed in the system. This screen can be used as a testing/troubleshooting tool.

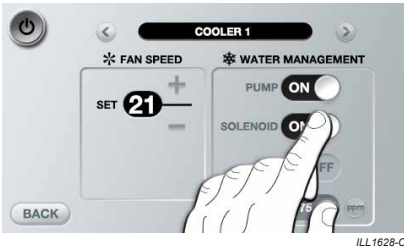


ILL1627-A

MANAGING FAULTS cont

The 'Service Operating Screen' for evaporative coolers allows the service agent to:

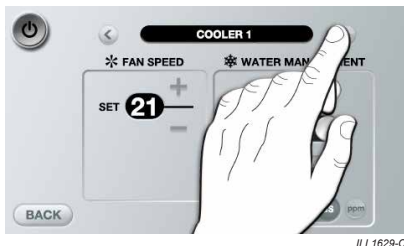
- Turn the cooler ON or OFF
- Set the fan speed
- Turn the pump, solenoid or drain valve ON or OFF



Component	Status	Resulting Action
Pump	ON	Tornado pump active, water pumping over pads
	OFF	Pump off
Solenoid	ON	Solenoid open (water filling tank)
	OFF	Solenoid closed
Drain	ON	Drain closed (energised)
	OFF	Drain open

For multi-cooler installations, all other coolers except the cooler being displayed will continue to operate as they were at the time of entering the 'Service Operating Screen'. Other coolers of the same type can be accessed from the 'Service Operating Screen' quickly, by using the scroll left/right buttons.

Important! When a new cooler is selected, the previously displayed cooler will return to the operation state that was occurring at the time of entering the 'Service Operating Screen'.



COOLER ELECTRONICS BOX

Fault diagnostics can also be accessed from the cooler electronics box itself.

For more details refer to "DIAGNOSTICS FAULT CODES" within the Breezair (pg 23) and Braemar (pg 33) cooler sections of this document.

MANAGING COMPONENTS

ADDING COMPONENTS

The controller keeps a list of all the MagIQtouch installed components and regularly checks that all components are responding.

To add a new component, simply connect it to the system and power up. The controller will detect that a new component has been added and lead you through the set-up process.

Important! It is important that new components of the same type are connected **ONE AT A TIME**.

Below are a list of MagIQtouch compatible components.

Component	Part No.
Air Sensor	094328
Link Module, Board only	094281
Link Module including enclosure	094724
Zone Control Board 240V, Board only (used with TQ heaters)	094922
Zone Control Board 24V, Board only (used with TQ heaters)	094939
Zone Control Board 240V with Enclosure (used with TQ heaters)	094908
Zone Control Board 24V with Enclosure (used with TQ heaters)	094915
MagIQtouch Controller with cable (used as Slave with TQ heaters)	075587
AOC - SACV10D1S IDU 10kW 1PH INV	085807
AOC - SACV12D1S IDU 12kW 1PH INV	085814
AOC - SACV14D1S IDU 14kW 1PH INV	085821
AOC - SACV16D1S IDU 16kW 1PH INV	085838

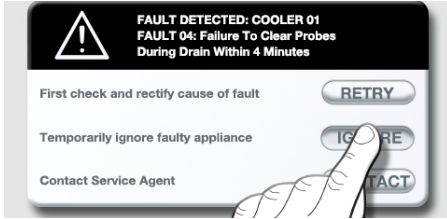


MANAGING COMPONENTS cont

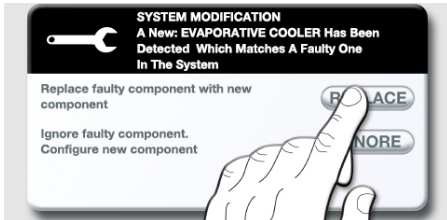
REPLACING COMPONENTS

To replace a faulty component with a new one, disconnect the old component. The controller will display a warning message (unless the component has previously been ignored).

Choose the 'IGNORE' option.



Now connect and power up the new, replacement component. The controller will detect the new component and will give you the option to REPLACE the faulty component or install it as a new component. Choose REPLACE.



Important! If you are replacing more than one faulty component, it is important that new components of the same type are connected ONE AT A TIME.

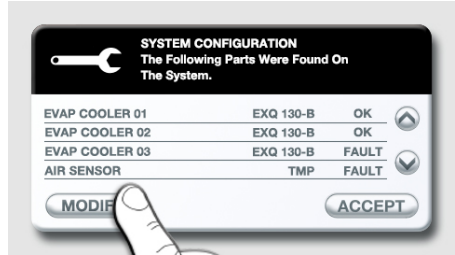
REMOVING COMPONENTS

If a component is to be removed from the installation and never replaced, it can be deleted from the MagIQtouch Controller's memory.

Go to the GENERAL menu in SETTINGS. Scroll down to the menu item 'SYSTEM CONFIGURATION'.



After entering the correct pin-code (7378), the controller will do a scan to find what is connected to the system. The screen will then display a list of all components in the installation (both functional and faulty).



At this point, disconnect the component to be removed and press the MODIFY button. This should cause the MagIQtouch controller to display a warning message where the component can be deleted.



Important! This process will permanently delete the component from the system.

If you plan to replace a faulty component with a new one in the future, then the IGNORE option on the above screen should be selected.



MAGIQCOOL CONTROLLER - ENTERING PARAMETER MODE

To enter Parameter mode, the following process must be carried out within 4 minutes of power being applied to the cooler. If unsure of time since the last power "ON", remove power to the cooler (Isolator Switch or Circuit Breaker) for a minimum of 6 seconds so the mode can be entered.

1. While wall control is OFF, push and hold "AUTO" and "▼" button for minimum three (3) seconds.
2. When parameter mode has been entered, screen will display "A1" and "Param". Pressing "▲" or "▼" buttons will scroll through parameters "A1" to "AA" (Refer to table for factory settings).
3. To view parameter number set in wall control press "AUTO" momentarily. Figure "A#" on screen will change to number set, and "Param" will change to "value".
4. To alter "value" of selected parameter press "▲" or "▼". Numbers will change to show different values the parameter can be set to.
5. To store the value, press "AUTO". Screen will go blank momentarily as wall control stores parameter change, and returns screen to "A#" and "Param".
6. To exit parameter mode or escape from an alteration without storing a change press "0" button instead of "AUTO" button. Remember, once step 5 has been carried out, new parameter change is permanent until again altered.
7. If no buttons are pushed on wall control, after 3 minutes screen will reset to "OFF" state. Procedure to enter parameter mode must be re-initiated.

Parameters

No.	Description	Value
A1	Water salinity control method selector:	
	Water Manager (measure & control salinity)	0*
	Timed Drain	1
	Non Drain Valve salinity control (bleed etc)	2
A2	No Water, thermostatic vent, Auto temp control	3
	Weather Seal Opening Speed	
	Whenever the fan is turned ON, Fan will run 10 seconds at the higher of: Fan Speed as requested by the Wall Control Weather Seal Opening Speed set at A2 (Default = fan speed 5)	
A3	Pre-wet enable:	
	No pre-wet Pre-wet	0 1*
A4	Wall Control back light disable:	
	Backlight 'OFF' Backlight 'ON'	0* 1
A5	Conductivity set point:	
	Normal - 4275 µS/cm Low - 2305 µS/cm	0* 1
A6	Tank (reservoir) drain delay:	
	Drain 3 hours after COOL off	1
	Drain 12 hours after COOL off Drain 3 days after COOL off	2 3*
A7	Auto re-start after Power failure:	
	Requires manual re-start when power OFF Auto restart	0 1*
A8	Temperature units:	
	Display °C Display °F	0* 1
A9	Not Accessed	
AA	Not Accessed	

* = Default Value

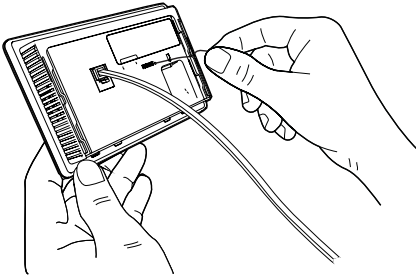
MANAGING THE MAGIQTOUCH CONTROLLER

CONNECTING A PRE-USED CONTROLLER

System Configuration is stored in the controller memory chip and CANNOT be transferred from one controller to another

Important! Any pre-used controller must be reset before it is connected to another existing system.

Once the controller has been reset, the installation process is the same as if it were new.



ILL1596-B

CONNECTING A NEW CONTROLLER TO AN EXISTING SYSTEM

System configuration information is stored on the controller memory chip and cannot be transferred from one controller to another. If a new controller is connected to an existing system it will first need to scan the system to see what is there.

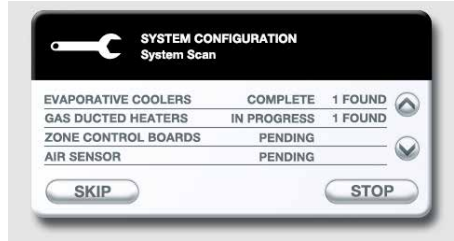
Connect the controller to the system. Ensure all components are powered.

Choose the 'EXISTING SYSTEM WITH NEW CONTROL' option.



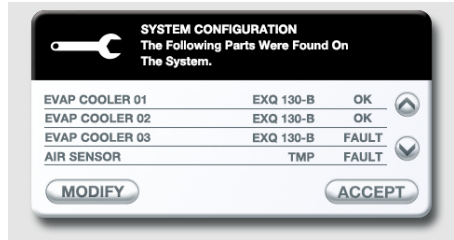
ILL1639-A

The controller will scan for one type of component at a time. The operator can skip to the next scan once they see all components of a particular type have been found.



ILL1841-A

Once all components have been found the controller will display a summary list of what it has found. If this configuration is accepted, the controller will be ready to operate the system.



ILL1637-B

CHANGING FROM MAGIQTOUCH TO MAGIQCOOL CONTROLLER

The operating systems are different between the MagiQtouch controller and the MagiQcool controller. If changing from a MagiQtouch controller to a MagiQcool controller the operating system must be reset back to factory settings in order for the MagiQcool controller to communicate correctly with the cooler.

With the MagiQtouch controller still connected, select the SETTINGS menu and SYSTEM RESET. Select "RESET WHOLE SYSTEM" and accept all prompts. When the SYSTEM RESET is COMPLETE, unplug the MagiQtouch controller and install the MagiQcool controller.

CHANGING FROM MAGIQCOOL TO MAGIQTOUCH CONTROLLER

Unplug the MagiQcool controller and install the MagiQtouch controller. Controller will show "POWER UP" screen.

Select "ALL NEW SYSTEM" and select the prompts as required.

It is the policy of Seeley International to introduce continual product improvement.
Accordingly, specifications are subject to change without notice.
Please consult with your dealer to confirm the specifications of the model selected.



Seeley International Technical Support	1300 650 399
Seeley Spare Parts Distributors	1300 367 437
Authorised Service Agents	1300 650 644

For access to Technical/Installation/Service Information register online
seeleyinternational.com/service

Spare Parts Information

To identify and order Seeley International spare parts for
Breezair, Braemar, Coolair and Convair products online go to:
seeleyinternational.com/get-support/spare-parts