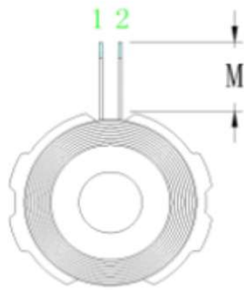
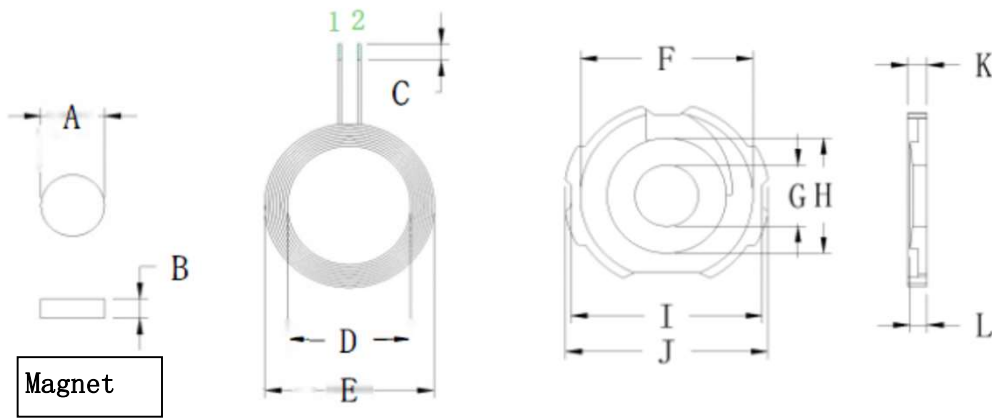


一. Planar Structure Diagram: Unit: MM



A	7.65 ± 0.05
B	3.0 ± 0.05
C	2 ± 1
D	15 ± 0.2
E	20.5 ± 0.5
F	21 ± 0.1
G	7.7 ± 0.05
H	13.5 ± 0.1
I	23.5 ± 0.2
J	25 ± 0.2
K	2.55 ± 0.1
L	2.25 ± 0.1 (Center Post Height)
M	8 ± 1

二. Product Parameters:

Pin	Wire Diameter	Turns	Remarks
1-2	0.08*24P	12	Hot Air Twisted Wire

三. Technical Requirements:

- Secure the wire ends to prevent loosening or breakage.
- Trim excess wire as per customer requirements and tin the ends with a tin depth of 2 ± 1 mm
- Apply an appropriate amount of white glue on the soft magnetic sheet and attach the coil, ensuring the product surface remains clean and tidy.
- The soft magnetic sheet used must have a round hole and be free from damage.
- Additional process (as per customer requirements): Install a $7.65 \times 3.07.65 \times 3.0$ mm magnet in the center hole of the finished product, and attach a $\Phi 20 \times 0.5 \Phi 20 \times 0.5$ mm cotton pad with a hole ($\Phi 10 \Phi 10$ mm) on the back of the coil, followed by a $\Phi 20 \times 0.12 \Phi 20 \times 0.12$ mm white background with black text adhesive backing.

四. Electrical Parameters:

1. Inductance and Q Value:

PIN 1 — 2 = 7.6uH ± 0.2uH

Q Value ≥ 35

The above inductance values are measured using a Tonghui 1062A instrument or equivalent, at 10kHz/0.3Vrms.

The Q value is measured using a Tonghui 1062A instrument or equivalent, at 100kHz/0.3Vrms.

Material List:

NO	Name	Material	Supplier	Remarks
1	Hot Air Twisted Wire	0.08X24P	Weihan or equivalent	
2	Magnetic Sheet	G25 Soft Base Material	Tiandu or equivalent	
3	Solder	High-Temperature Eco-Friendly	Qiandao or equivalent	
4	White Glue	BY882	Baoyue or equivalent	
5	Strong Magnet	7.65*3 (Strength > 4000GS)	Liansheng or equivalent	Additional process, as per customer requirements
6	Double-Sided Tape	20*0.12mm White Adhesive Backing	Honghui or equivalent	

五. Manufacturer

Dongguan Jieruisi Technology Co., Ltd.

2nd Floor, No. 152, Guanchang Road Section, Taigongling, Dalingshan Town, Dongguan City, Guangdong Province, China