

**Serie | 8, Built-in compact oven with microwave function, 60 x 45 cm, Carbon black
CMG836NC1**



Included accessories

1 x combination grid
1 x universal pan

Optional accessories

HEZ327000 Pizza stone, HEZ531010 Baking tray, non-stick ceramic coated, HEZ532010 Universal pan, non-stick ceramic coated, HEZ617000 Pizza pan, anthracite enamelled, HEZ625071 Grill tray, anthracite enamelled, HEZ631070 Baking tray, anthracite enamelled, HEZ632070 Multipurpose pan, anthracite enamelled, HEZ634080 Baking and roasting grid (microwave), HEZ636000 Glass pan, HEZ660050, HEZ660060 Strip, HEZ6BMA00, HEZ915003, HEZG0AS00

The compact oven with microwave function: enables you to achieve perfect baking and roasting results very quickly.

- **Microwave function:** for quick warming up or for fast cooking in combination with hot air.
- **EcoClean Direct:** almost no cleaning is necessary thanks to a special coating of the rear wall that automatically absorbs grime.
- **Bosch Assist:** automatic setting of the optimal type of heat, temperature and time for countless dishes.
- **1-level telescopic rail:** for safe, easy insertion and removal of baking trays.
- **4D hotair:** even heat distribution for perfect results.

Technical Data

| | |
|---|---|
| Type of micro-wave oven : | MW-Combi |
| Type of control : | Electronic |
| Dimensions : | 455 x 594 x 548 |
| Cavity dimensions (mm) : | 237.0 x 480 x 392.0 |
| Length electrical supply cord (cm) : | 150 |
| Net weight (kg) : | 35.727 |
| Gross weight (kg) : | 38.0 |
| Maximum micro-wave power (W) : | 900 |
| Number of Power Levels : | 5 |
| Turntable : | No |
| Cavity material : | Enamelled steel |
| Door opening : | Handle |
| Clock : | Yes |
| Included accessories : | 1 x combination grid, 1 x universal pan |
| Main colour of product : | Carbon black |
| Height of the product (mm) : | 455 |
| Width of the appliance : | 594 |
| Depth of the product : | 548 |
| Maximum micro-wave power (W) : | 900 |
| Connection Rating (W) : | 3600 |
| Current (A) : | 16 |
| Voltage (V) : | 220-240 |
| Frequency (Hz) : | 50; 60 |
| Plug type : | Gardy plug w/ earthing |
| Alternative colors available : | CMG836NS1 |
| Approval certificates : | CE, VDE |
| Appliance Dimensions (h x w x d) (in) : | x x |
| Dimensions of the packed product (in) : | 20.86 x 26.37 x 26.77 |
| Net weight (lbs) : | 79.000 |
| Gross weight (lbs) : | 84.000 |



Serie | 8, Built-in compact oven with microwave function, 60 x 45 cm, Carbon black CMG836NC1

The compact oven with microwave function: enables you to achieve perfect baking and roasting results very quickly.

Heating Functions

- Compact oven with microwave with 12 heating methods:
 - 4D HotAir
 - Full width grill
 - 4D HotAir Eco
 - Half width grill
 - Top/bottom heating
 - Top/bottom heating Eco
 - Pizza setting
 - Slow cooking
 - Bottom heating
 - Hot air grilling
 - Preheat ovenware
 - Keep warm
- Additional heating methods with microwave: Pure microwave, Combination microwave and conventional oven
- Intelligent inverter technology: maximum output power will be regulated to 600 W when used in longer operation
- Max. Power: 900 W; 5 Microwave power settings (90 W,180 W,360 W,600 W,900 W) with Inverter (MW)
- Temperature range 30 °C - 300 °C
- Cavity volume: 45 net usable litres

Hook-in racks / rails

- Number of shelf levels: 3 PC
- Telescopic rails: 1 level telescopic rail

Design

- Bosch Control Ring
- Anthracite enamel cavity with 3 shelf positions

Cleaning

- EcoClean Direct : back panel
- Cleaning Assistance - cleaning option for light soiling

Convenience

- TFT Touch Graphic Display
- Electronic clock/timer with end time programming
- Automatic temperature proposal
 - Residual heat indicator
 - Actual temperature display
 - Sabbath mode
- Drop down door, Oven door with SoftClose, SoftOpen
- Bar handle
- Bosch Assist - a menu of dishes for automatic cooking
- Rapid heating-up: automatic
- LED lighting
- Cooling fan

Accessories

- 1 x combination grid, 1 x universal pan

Safety and Environment

- Maximum door temperature 40° C
- Child lock function
 - Automatic safety switch off function
 - Residual heat indicator
 - Start button
 - Door contact switch

Technical Info

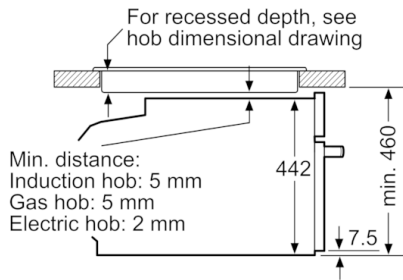
- Length of mains cable: 150 cm
- Nominal voltage: 220 - 240 V
- Total connected load electric: 3.6 KW

Dimensions

- Appliance dimensions (HxWxD): 455 mm x 594 mm x 548 mm
- Installation dimensions (HxWxD): 450 mm - 455 mm x 560 mm - 568 mm x 550 mm
- Please reference the built-in dimensions provided in the installation drawing

**Serie | 8, Built-in compact oven with microwave function, 60 x 45 cm, Carbon black
CMG836NC1**

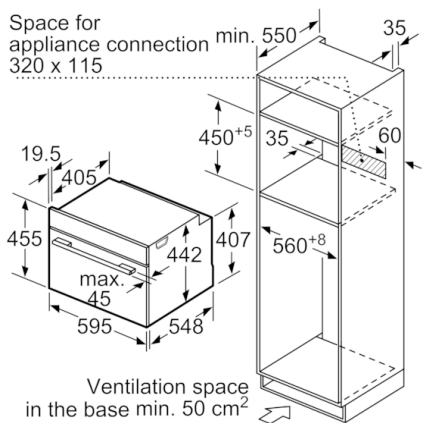
Installation with a hob.



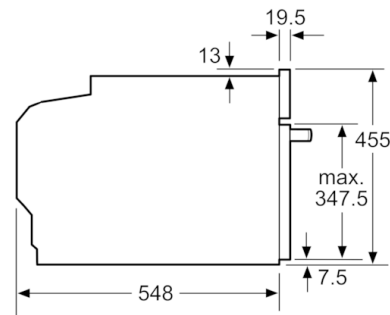
measurements in mm

If the compact appliance will be installed underneath a hob, the following worktop thicknesses (including substructure if necessary) must be taken into account.

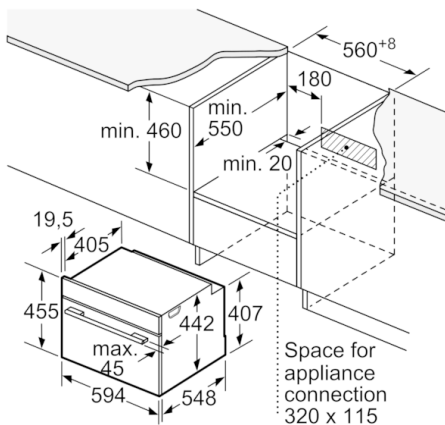
| Hob type | min. worktop thickness | |
|----------------------------|------------------------|-------|
| | fitted | flush |
| Induction hob | 42 mm | 43 mm |
| Full surface Induction hob | 52 mm | 53 mm |
| Gas hob | 32 mm | 43 mm |
| Electric hob | 32 mm | 35 mm |



measurements in mm



measurements in mm



measurements in mm