

MODEL ODD-500-4

INSTALLATION GUIDE

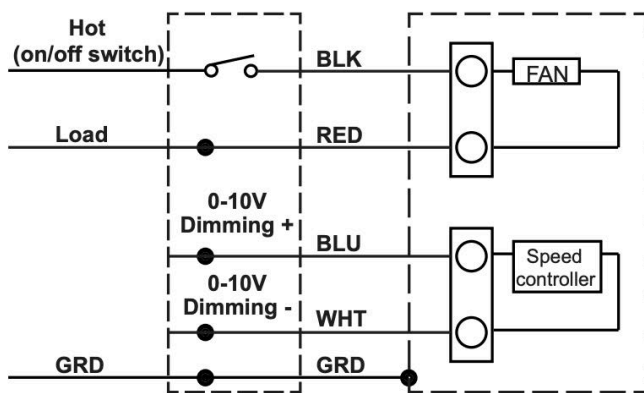
Assembly Instructions

3. Install duct work and junction box (cont'd)

The ducting from this fan to the outside of building has a strong effect on the airflow, noise and energy use of the fan. Use the shortest, straightest duct routing possible for best performance, and avoid installing the fan with smaller ducts than recommended. Insulation around the ducts can reduce energy loss and inhibit mold growth. Fans installed with existing ducts may not achieve their rated airflow.

Connect Electrical Wiring

Run 120V AC house wiring to the location of the fan. Use only UL-approved connectors (not included) to attach the house wiring to the wiring plate. Refer to the wiring diagram below, and connect the wires as shown.

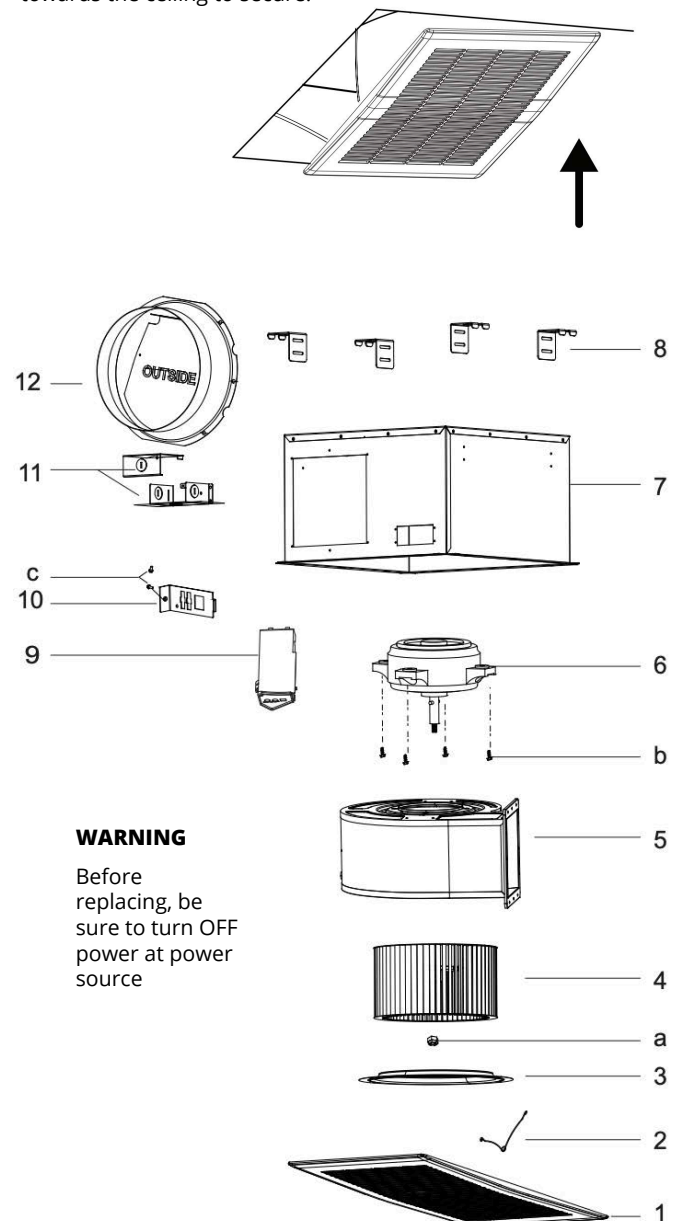


Service Parts

PART	PART NAME	Qty.
1	Grille Assembly (includes part 2)	1
2	Grille Spring	2
3	Plate	1
4	Blower Wheel	1
5	Blower	1
6	Motor	1
7	Housing	1
8	Hanger bracket	4
9	Power Box	1
10	Wire Panel / Harness Assembly	1
11	Wiring plate	1
12	Damper / Duct Connector	1
a	Nut, Hex Lock	1
b	Screw	4
c	Screw	2

Install Grille

Install ceiling material to complete the ceiling construction. Then, cut around the fan housing. To attach the grille assembly to the fan housing, pinch the grille into the housing with the grille springs in the appropriate slots. Push the grille assembly towards the ceiling to secure.



ORTECH reserves the right to modify at any time, without notice, any or all of our product's features, designs, components and specifications to meet market changes.